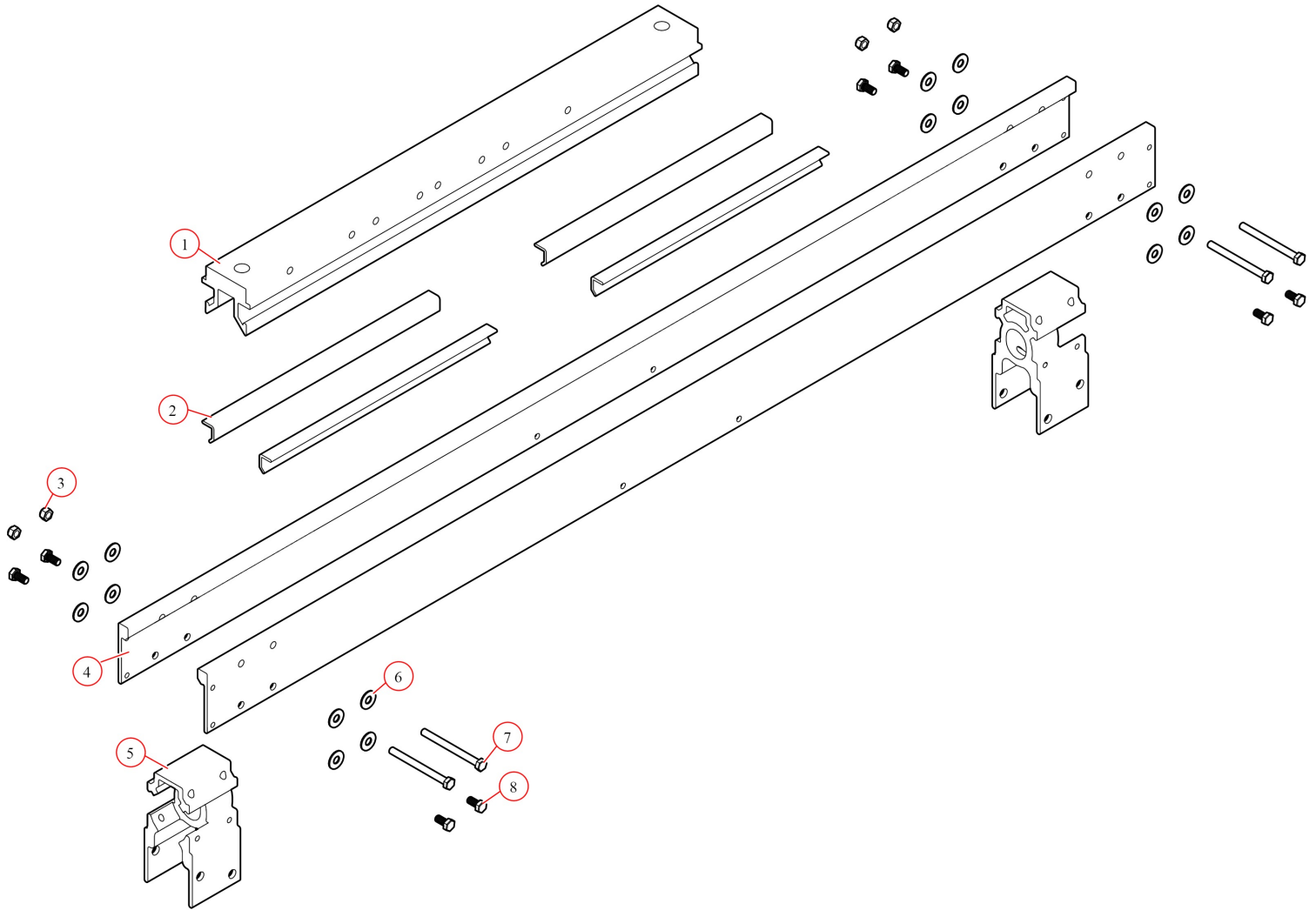




[Pivot Assembly. Sliding Pivot Narrow Assembly Mount](#)

Part Number: 100389

100389 Pivot, Slide Assembly for Super Slider



Bom ID	Part#	Description	qty
1	46731	Side Rail. Slide Rail for Narrow Sliding Pivot 28.25"	1
2	46889	Bushing. Sliding Bushing for Nrw Pivot 14.125 Each	4
3	18613	Nut. 5/16" Nylock Nut	4
4	46732	Extrusion. Outer Ext for Nrw sliding pivot 59.25"	2
5	46733	Extrusion. Pivot Mount for Nrw sliding pivot 3"	2
6	18400	Washer. 5/16" USS Flat Zinc	16
7	18223	Bolt. 5/16" x 3 1/2" Hex Head Bolt zinc Grade 5	4
8	102706	Bolt. 5/16" x 5/8" Hex Head Bolt zinc Grade 5	8