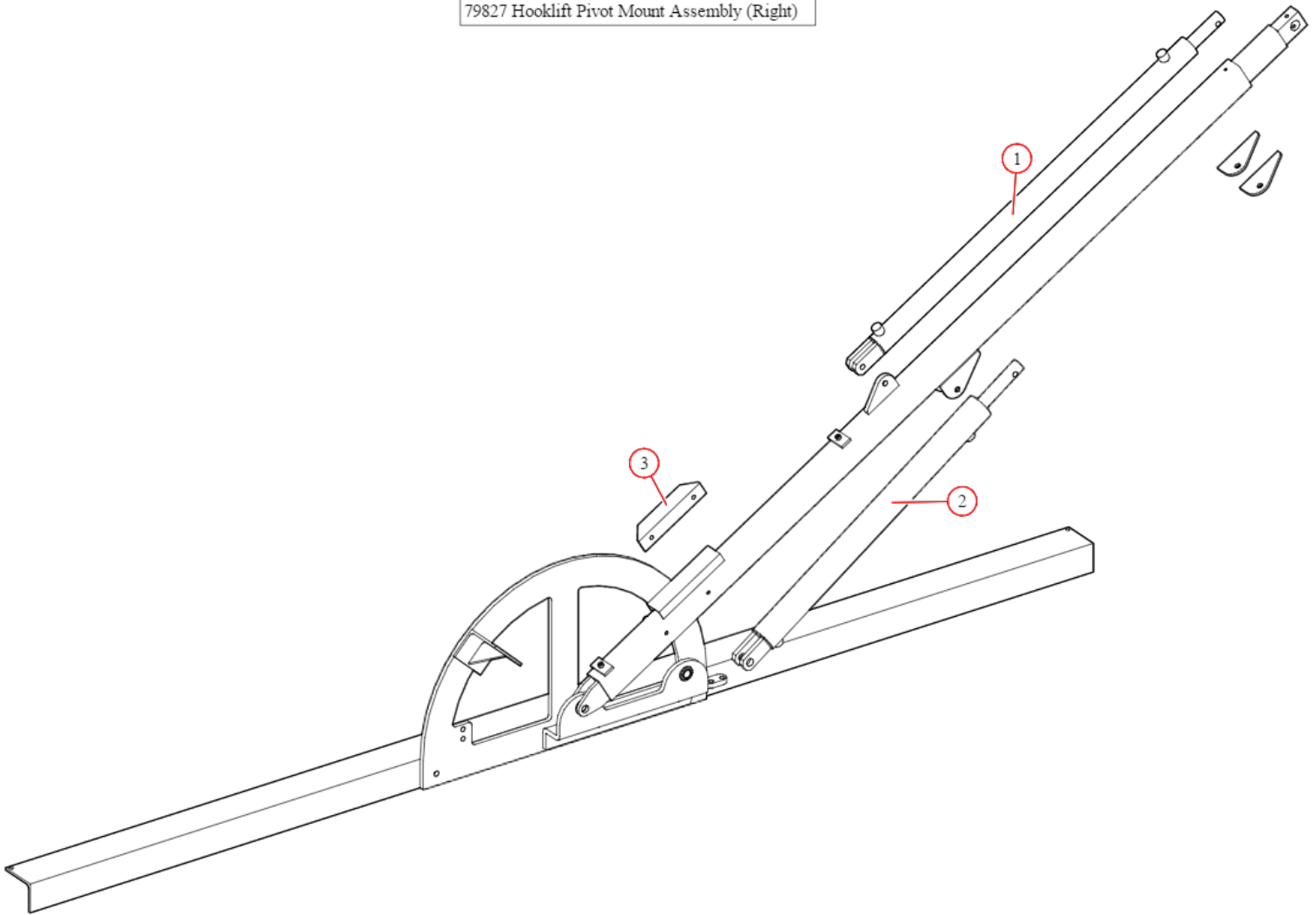


[Hooklift Pivot Mount Assembly \(Right\)](#)

Part Number: 79827

79827 Hooklift Pivot Mount Assembly (Right)



Bom ID	Part#	Description	qty
1	79778	Cylinder. 1.75" Bore x 36" Stroke for Extend and Gantry (CN-365)	1
2	79520	Cylinder. 2.25" Bore x 25" Stroke for Pivot Rotation (CN-357)	1