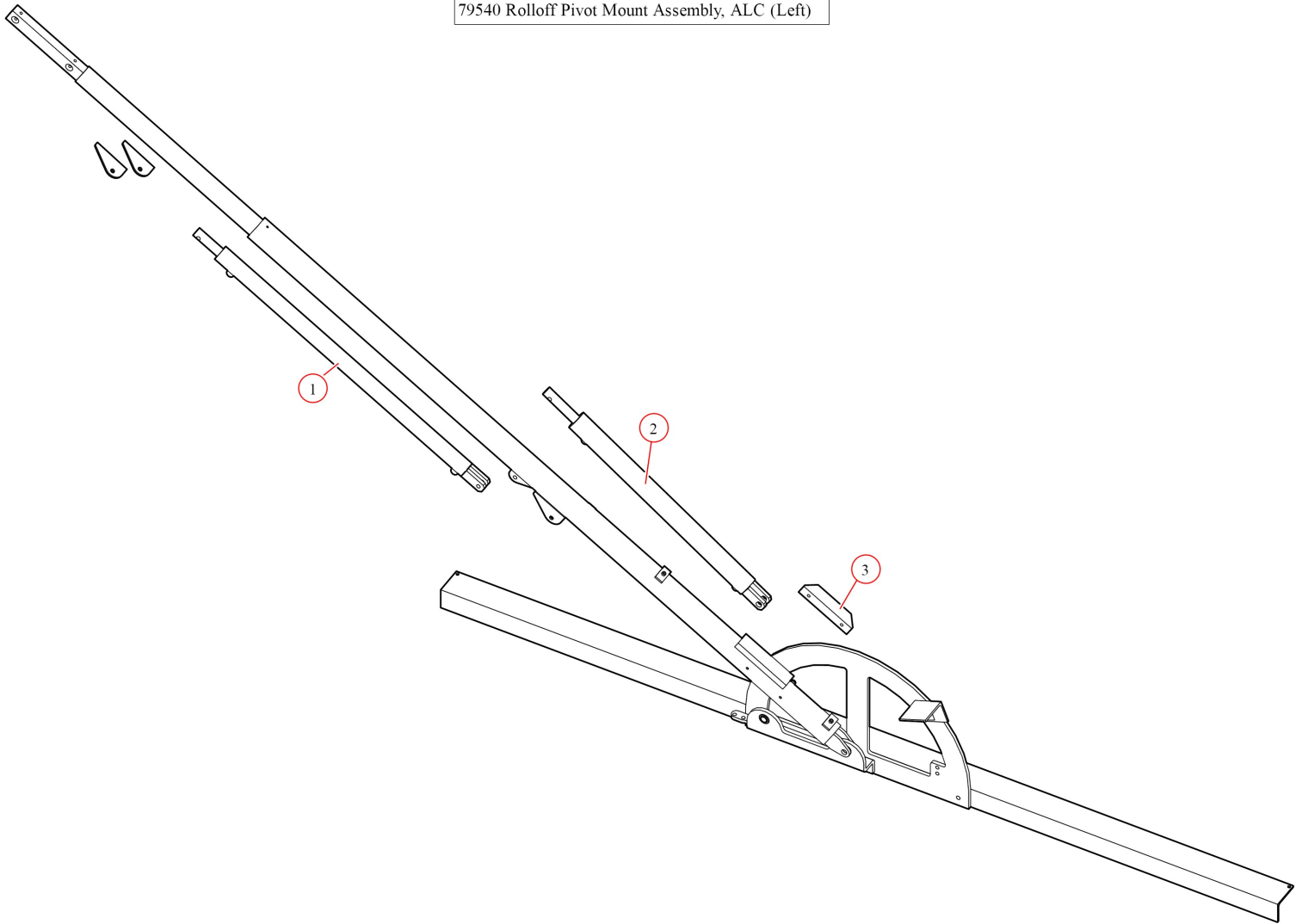


[Rolloff Pivot Mount Assembly. ALC \(Left\)](#)

Part Number: 79540

79540 Rolloff Pivot Mount Assembly, ALC (Left)



Bom ID	Part#	Description	qty
1	79778	Cylinder. 1.75" Bore x 36" Stroke for Extend and Gantry (CN-365)	1
2	79520	Cylinder. 2.25" Bore x 25" Stroke for Pivot Rotation (CN-357)	1
3	79500	UHMW. Guide Block (ALCGH)	1