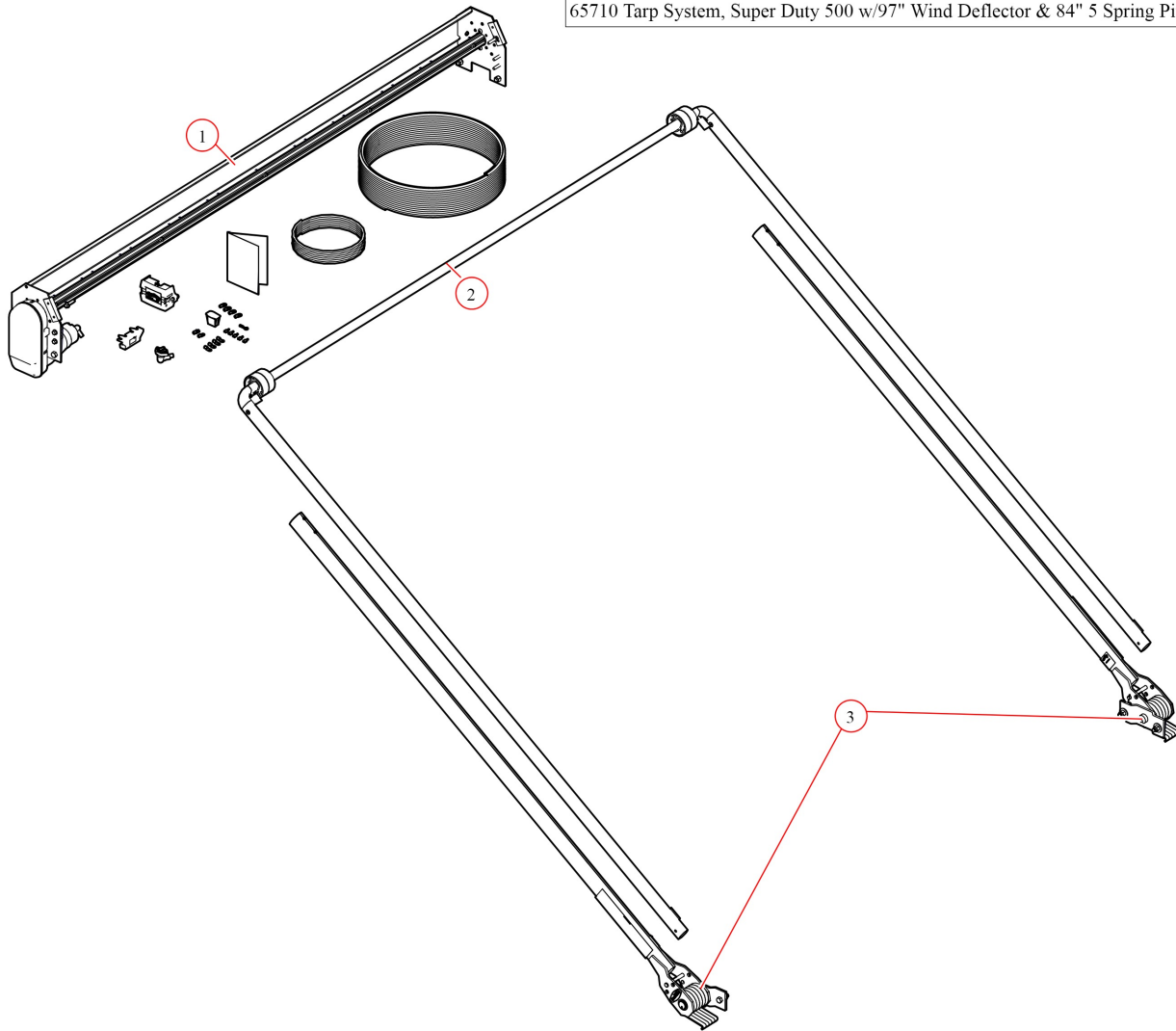


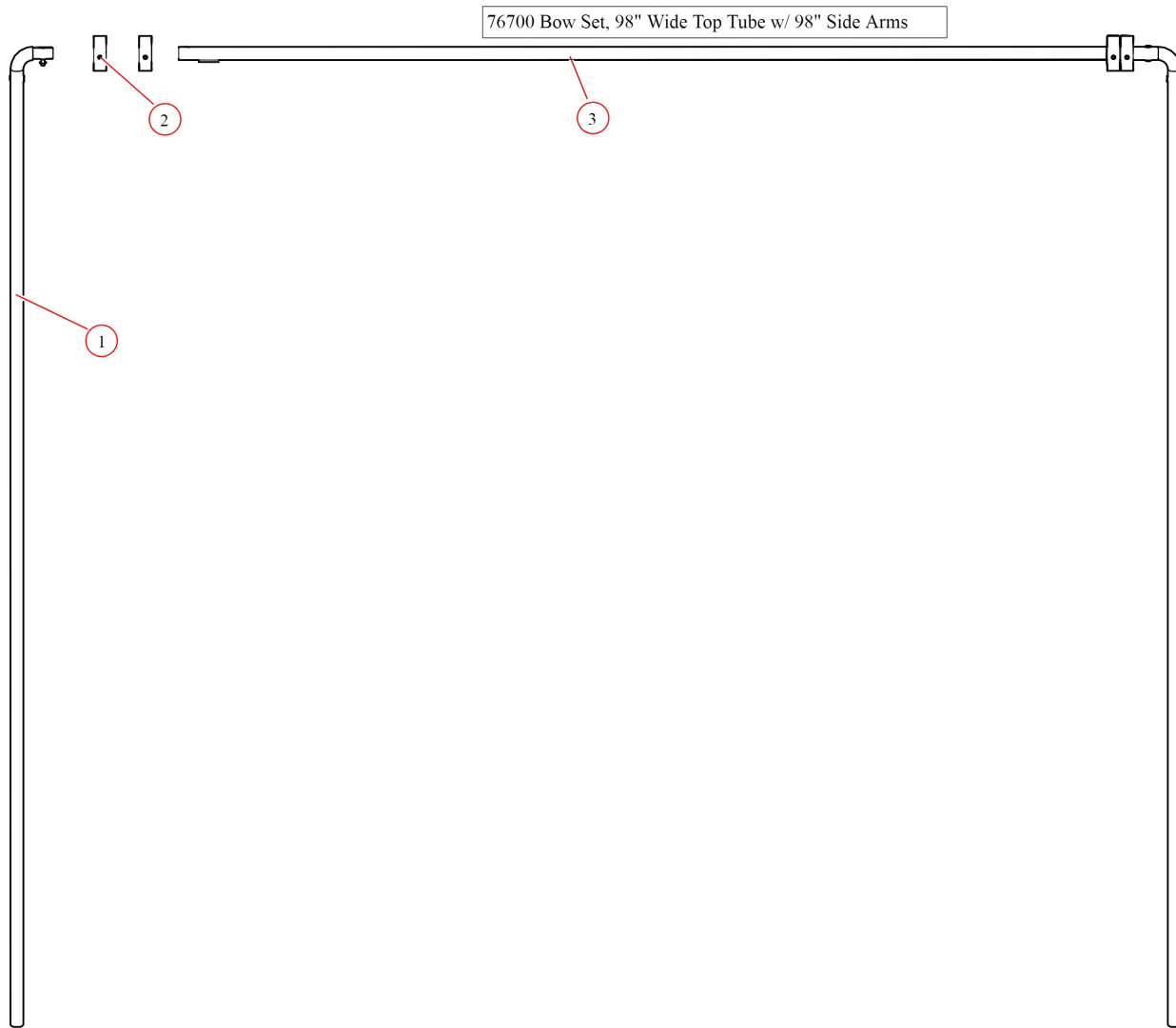
[SD500. 97" Wind Deflector. 5 Spring 84" Ext Pivot. Bow Set](#)

Part Number: 65710

65710 Tarp System, Super Duty 500 w/97" Wind Deflector & 84" 5 Spring Pivot

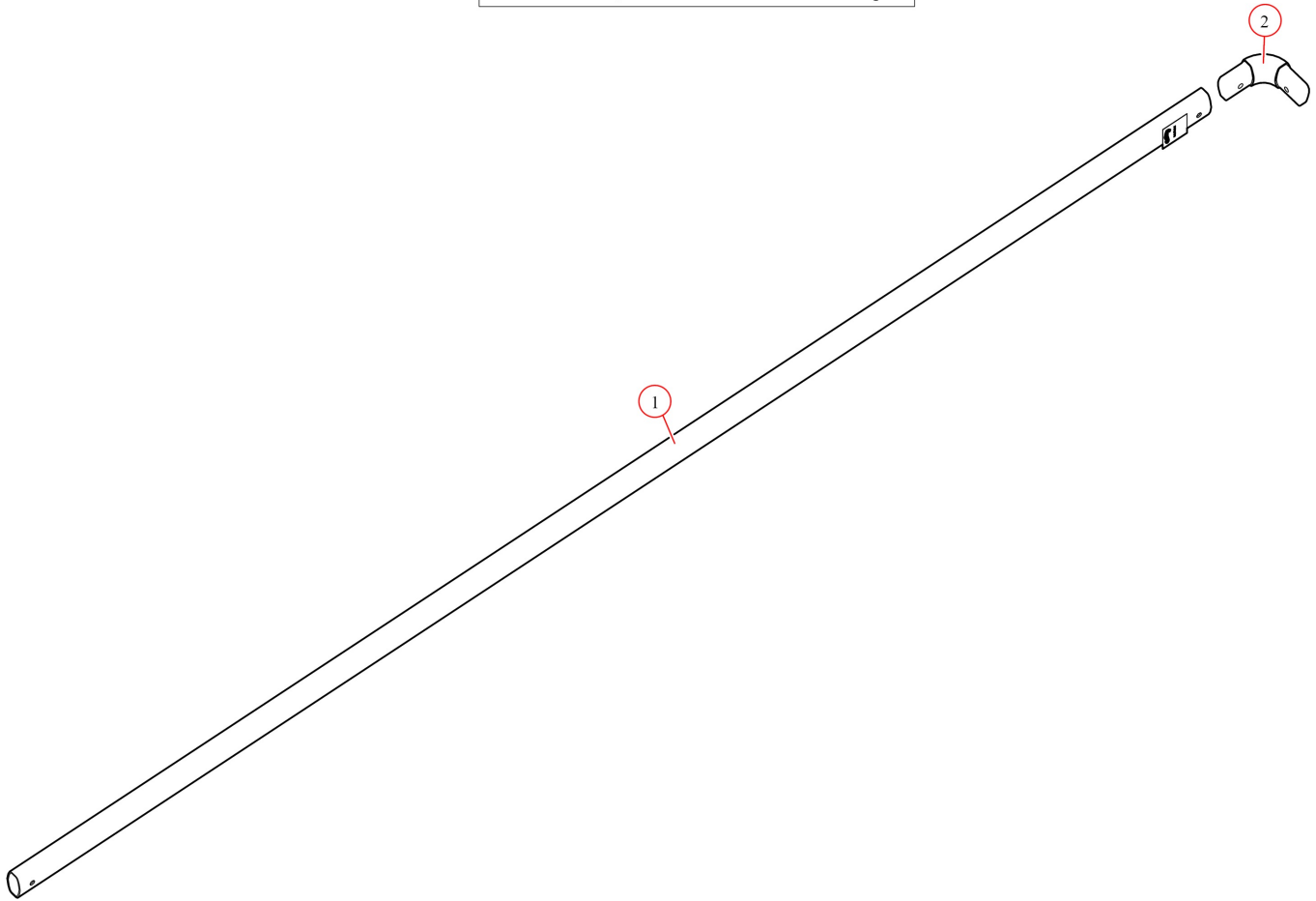


Bom ID	Part#	Description	qty
1	36470	Spool Kit. Super Duty Tarp Spool w/97" Wind Deflector & Mounting ...	1
2	76700	Bow Set. 98" Wide Top Tube w/ 98" Side Arms	1
3	46450	Pivot Set. 5 Spring w/ 84" Aluminum Pivot Tube	1



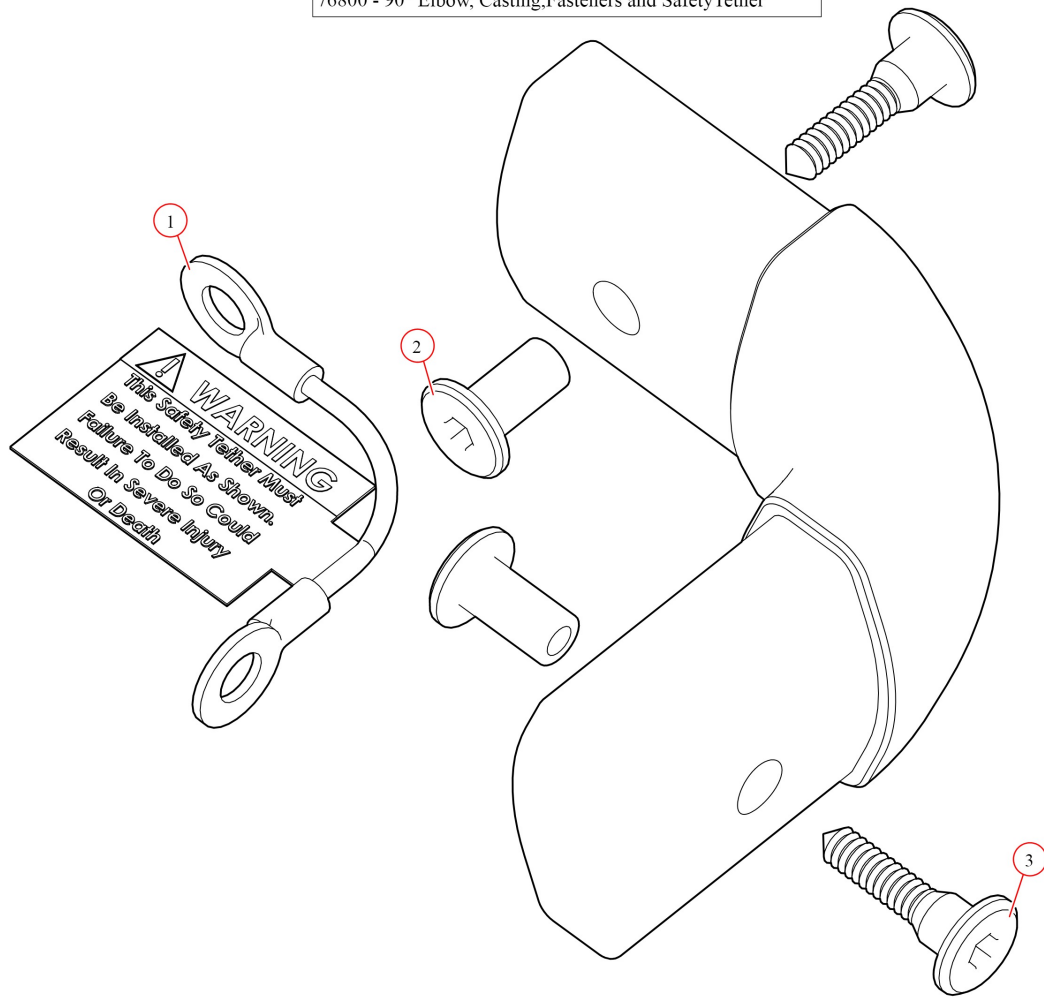
Bom ID	Part#	Description	qty
1	76770	Bow Tube. 98" AL Top Tube for Tarp Bow	2
2	76810	Tarp Flange for Bow Tube (Pair)	2
3	76760	Bow Tube. 98" Side Arm w/ 90 Corner	2

76760 Bow Tube, 98" AL Side Arm W. Corner tarp



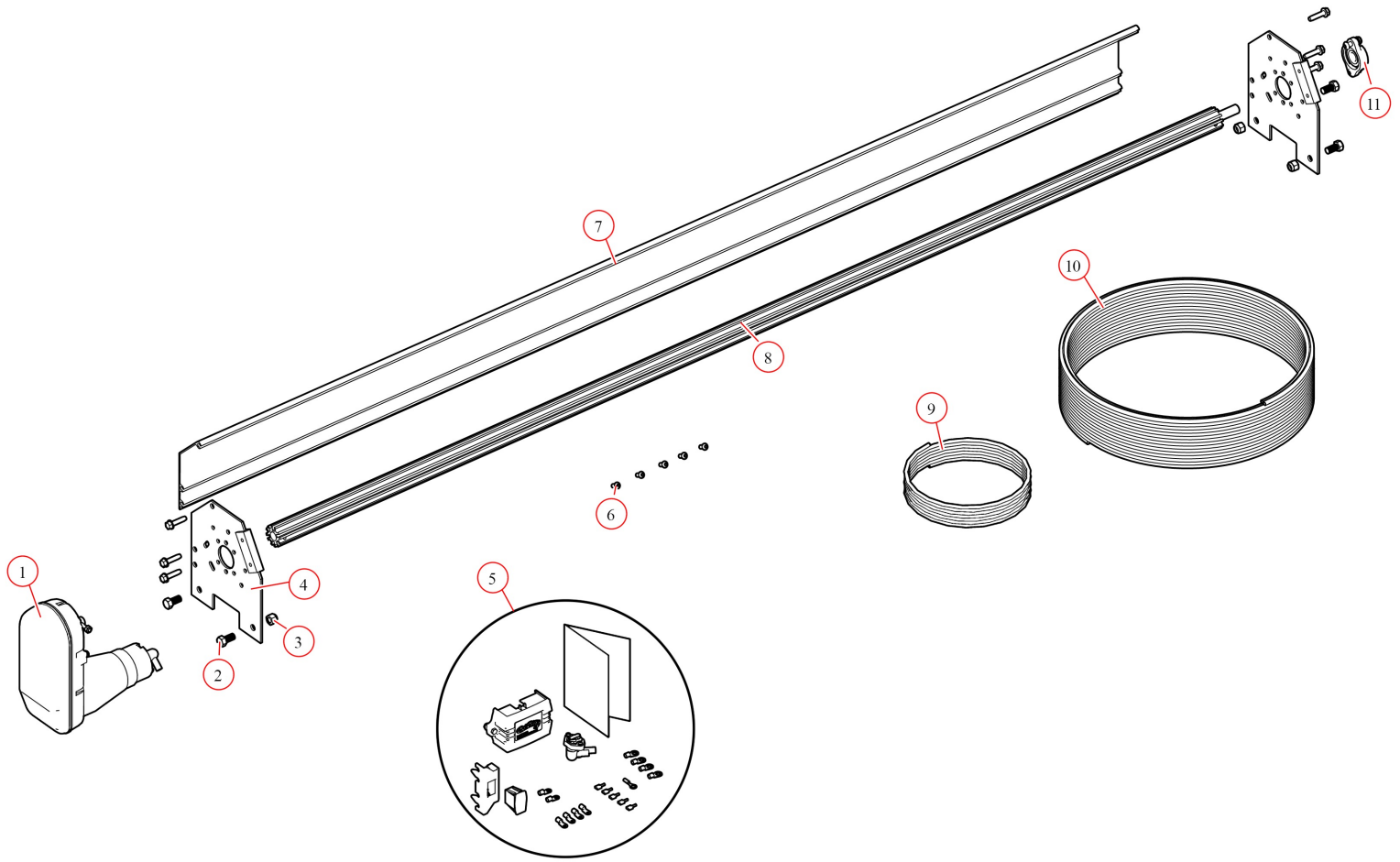
Bom ID	Part#	Description	qty
1	76770	Bow Tube. 98" AL Top Tube for Tarp Bow	1
2	76800	Casting. Aluminum Corner - 90 Degree With Fasteners and Tether	1

76800 - 90° Elbow, Casting, Fasteners and Safety Tether



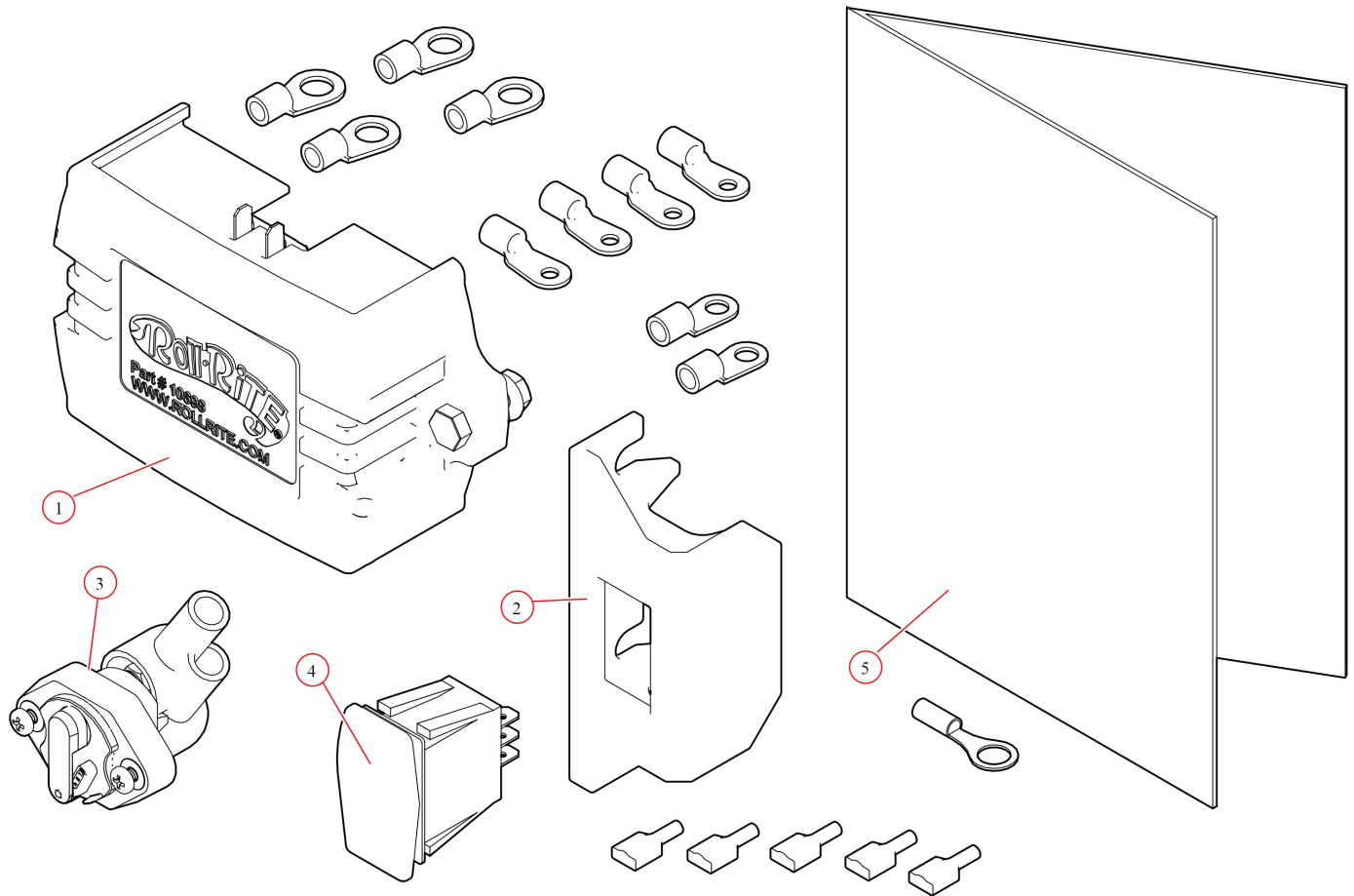
Bom ID	Part#	Description	qty
1	103533	Tether. Cable with Install Label for 90 degree corner	1
2	18719	Nut. 1/4-20 Cap Conn Nut Clear Zinc - Post bolt for 90 degree corne...	2
3	18718	Bolt. 1/4-20 x 1 3/16 Bolt Clear Zinc - Post bolt for 90 degree corners	2

36470 Spool Kit, Super Duty Tarp Spool w/97" Wind Deflector & Mounting Brackets-S/N:SDX (B1-36472&B2-36473)



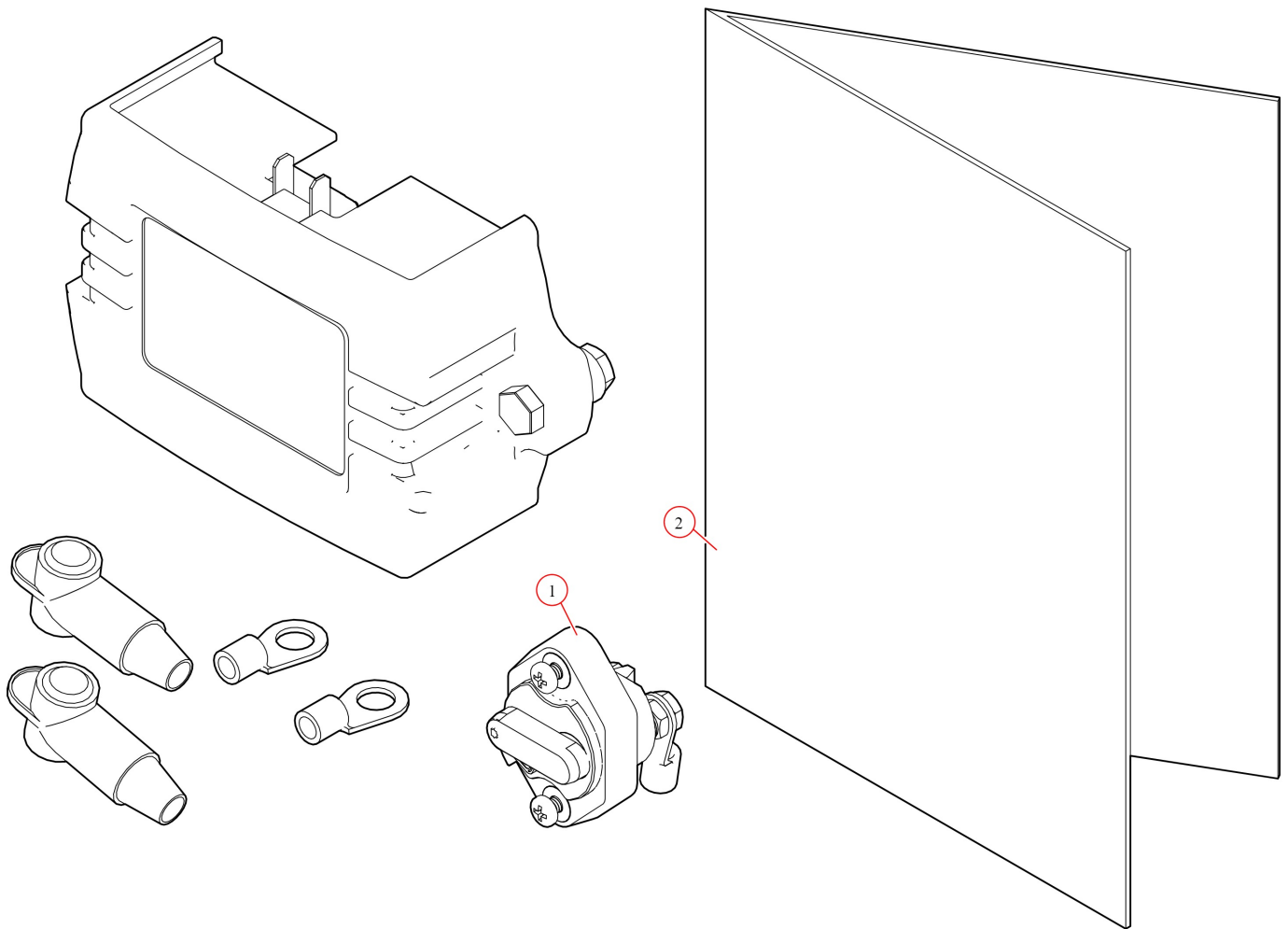
Bom ID	Part#	Description	qty
1	10122	Super Duty Motor 12V. 5 Year Warranty :S/N:	1
2	18294	Bolt. 1/2" x 1" Hex Head Bolt	4
3	18631	Nut. 1/2" Nylock Nut	4
4	36340	Bracket. Aluminum Mounting Brackets - PAIR	1
5	10914	Electric Kit. With 10698 12V Relay and Rocker Switch	1
6	18260	Bolt. 5/16" x 5/8" Button Head Bolt - Zinc Plated	5
7	36360	Wind Deflector. 97" Tall w/ Hardware	1
8	31030	Axle. 97" Pre-Threaded Tarp Axle w/Stub Shaft	1
9	11411	Wire. 16/3-Conductor - 15ft	1
10	11338	Wire. 6 ga. Dual Conductor - 85ft	1
11	31050	Bearing. 3/4" Flanged Axle Bearing with bolts	1

10914 Electric Kit, With 10698 Relay and Rocker Switch



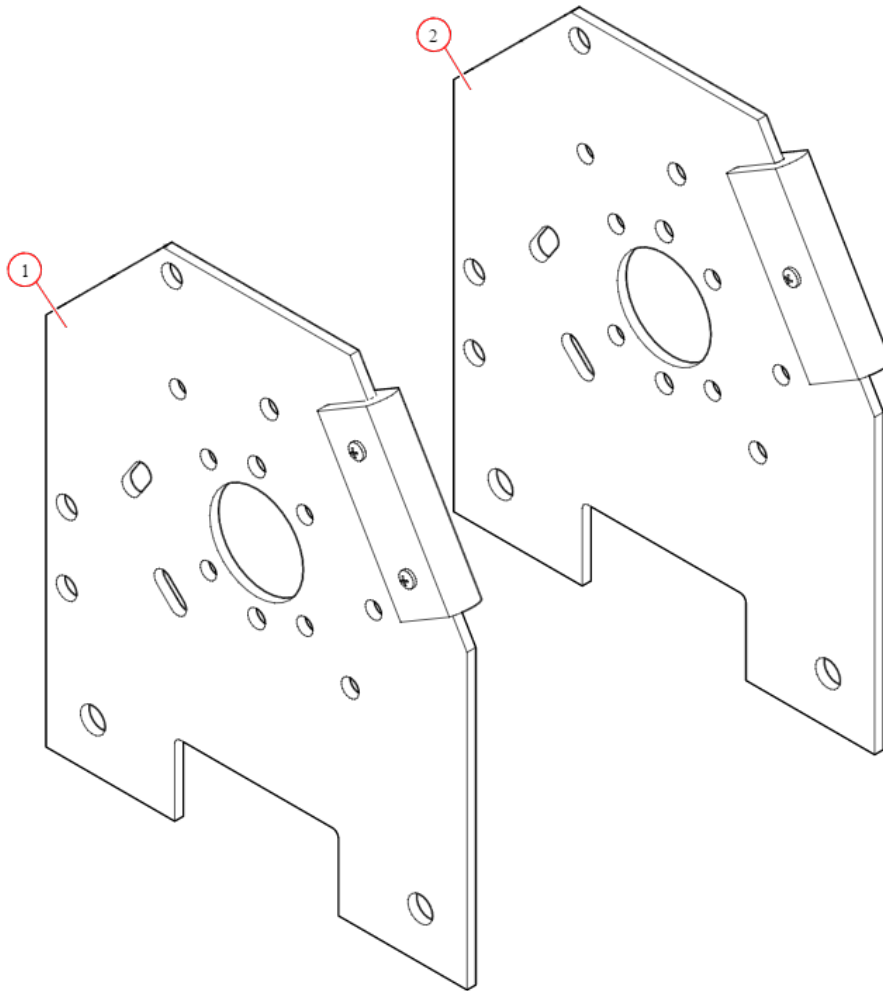
Bom ID	Part#	Description	qty
1	10695	Relay Kit. HD Mechanical Relay w/ 35 Amp Manual Reset Breaker &...	1
2	19300	Switch. Rocker (Open/Close)	1
3	10390	Bracket. Mounting for Rocker Switch	1
4	101784	Instructions. 10698 12 volt wiring Diagram	1

10695 Relay, HD(12V) w/ 35 amp Manual Reset Breaker & Terminal



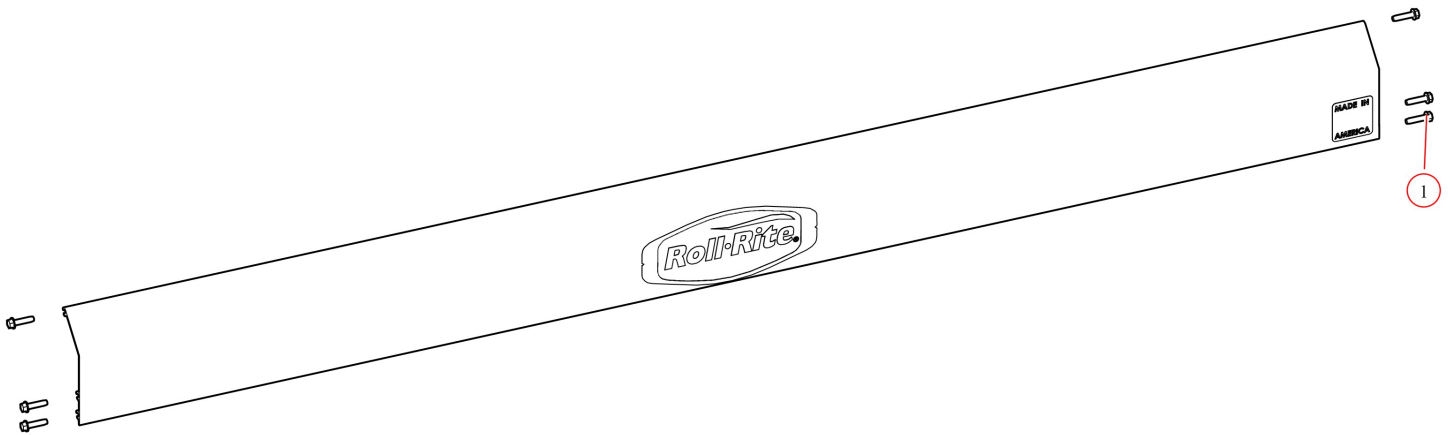
Bom ID	Part#	Description	qty
1	17918	Breaker. 35A Outdoor Manual Reset Circuit Breaker	1
2	101784	Instructions. 10698 12 volt wiring Diagram	1

36340 Bracket, Aluminum Mounting Brackets - PAIR



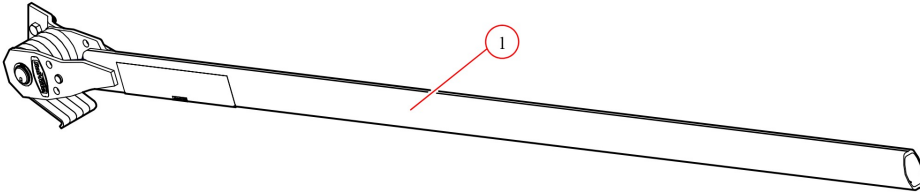
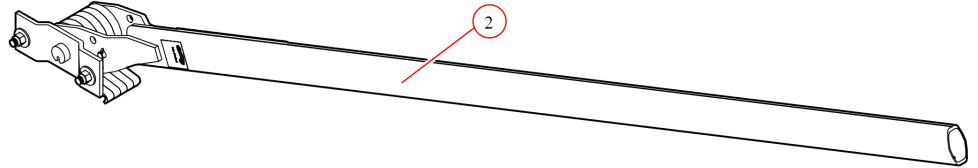
Bom ID	Part#	Description	qty
1	36338	Bracket. Aluminum Mounting Bracket - Driver Side	1
2	36339	Bracket. Aluminum Mounting Bracket - Passenger Side	1

36360 Wind Deflector, 97" Tall



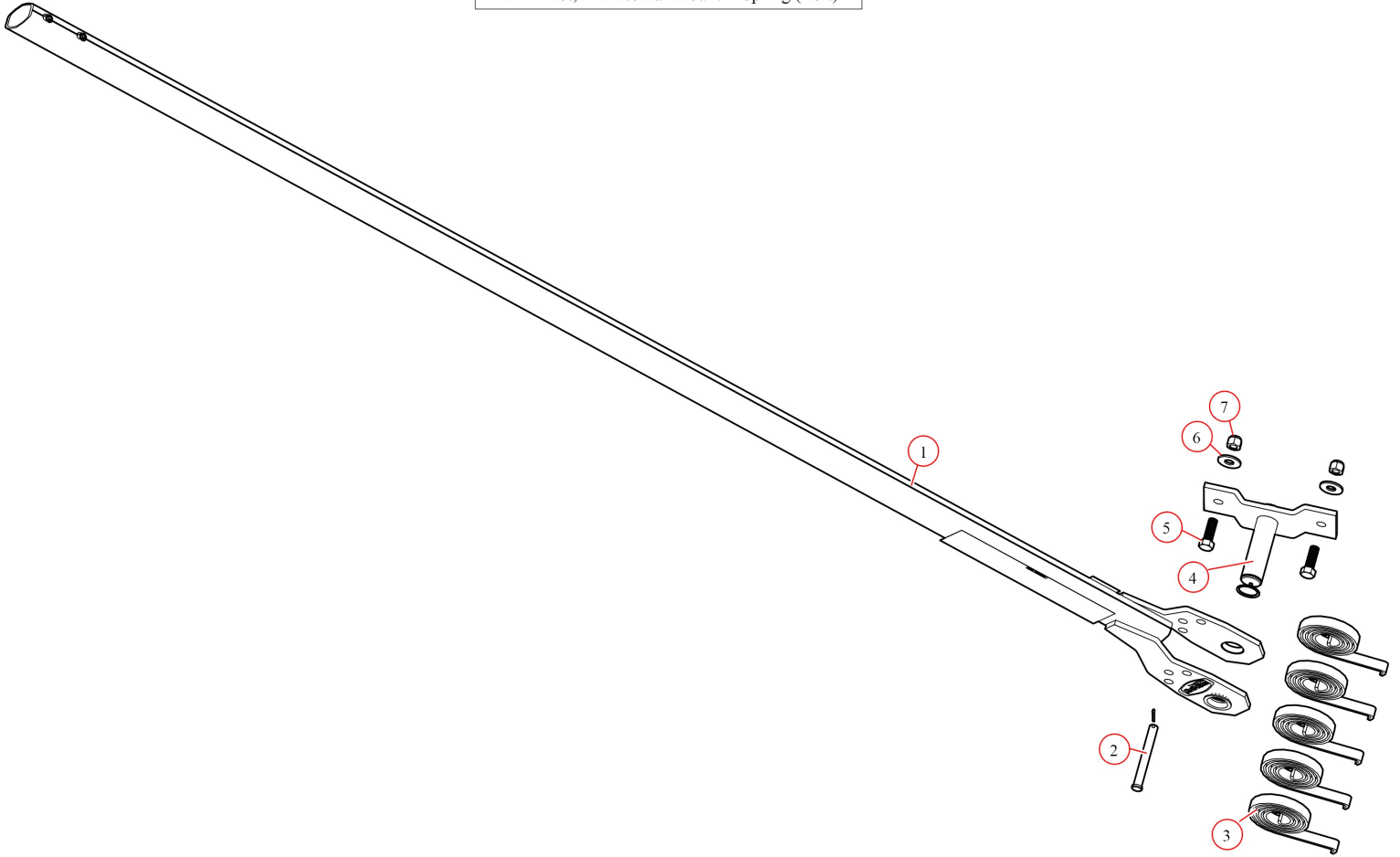
Bom ID	Part#	Description	qty
1	18120	Bolt. 3/8" x 1-1/2" Thread Cutting Screw Hex Washer Hd	6

46450 Pivot Set, 5 Spring w/ 84" Aluminum Pivot Tube



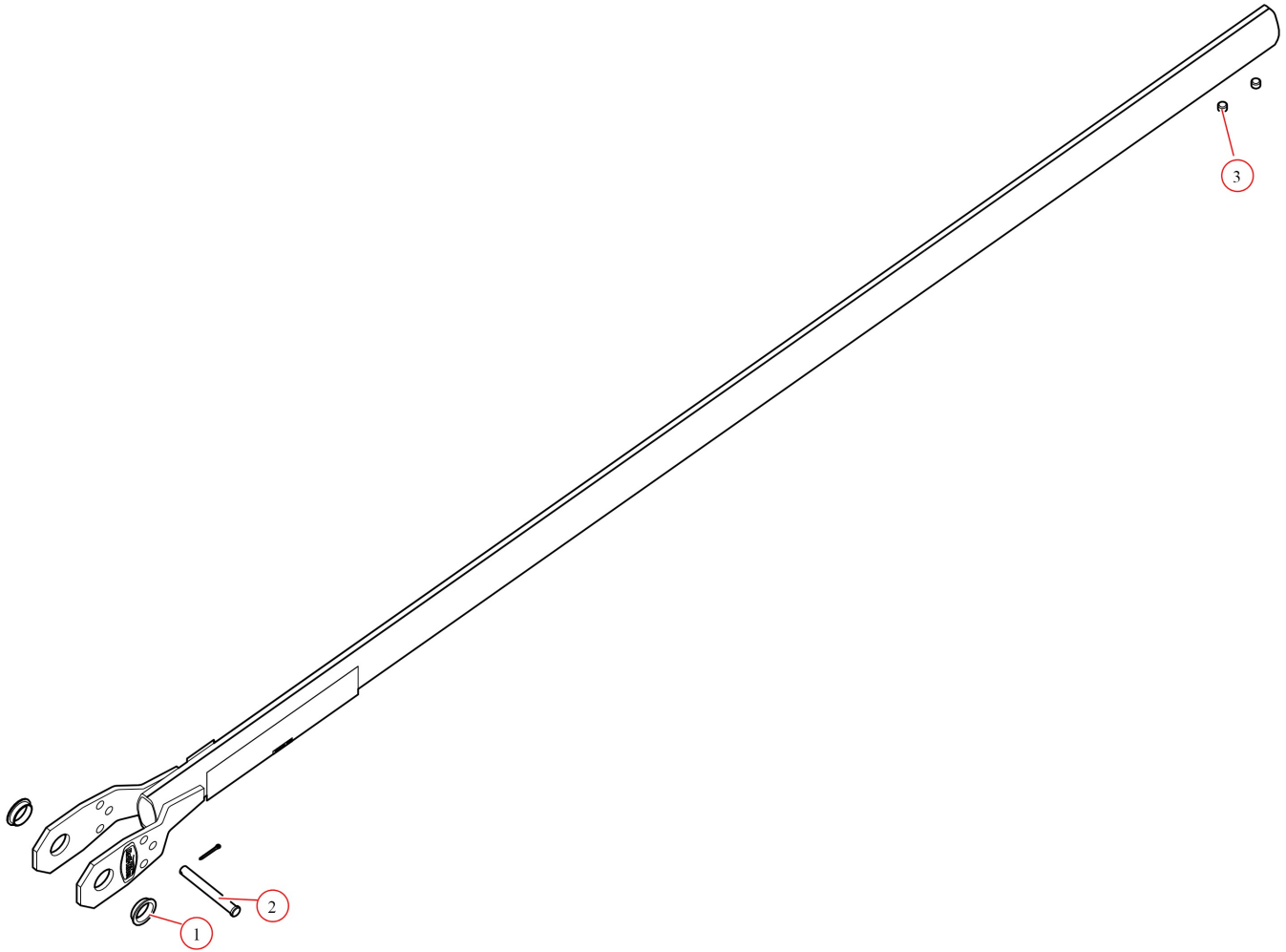
Bom ID	Part#	Description	qty
1	4645D	Pivot. AL External Mount 5-Spring(Drivers Side)	1
2	4645P	Pivot. AL External Mount 5-Spring (Passenger)	1

4645D Pivot, Al External Mount 5-Spring (Left)



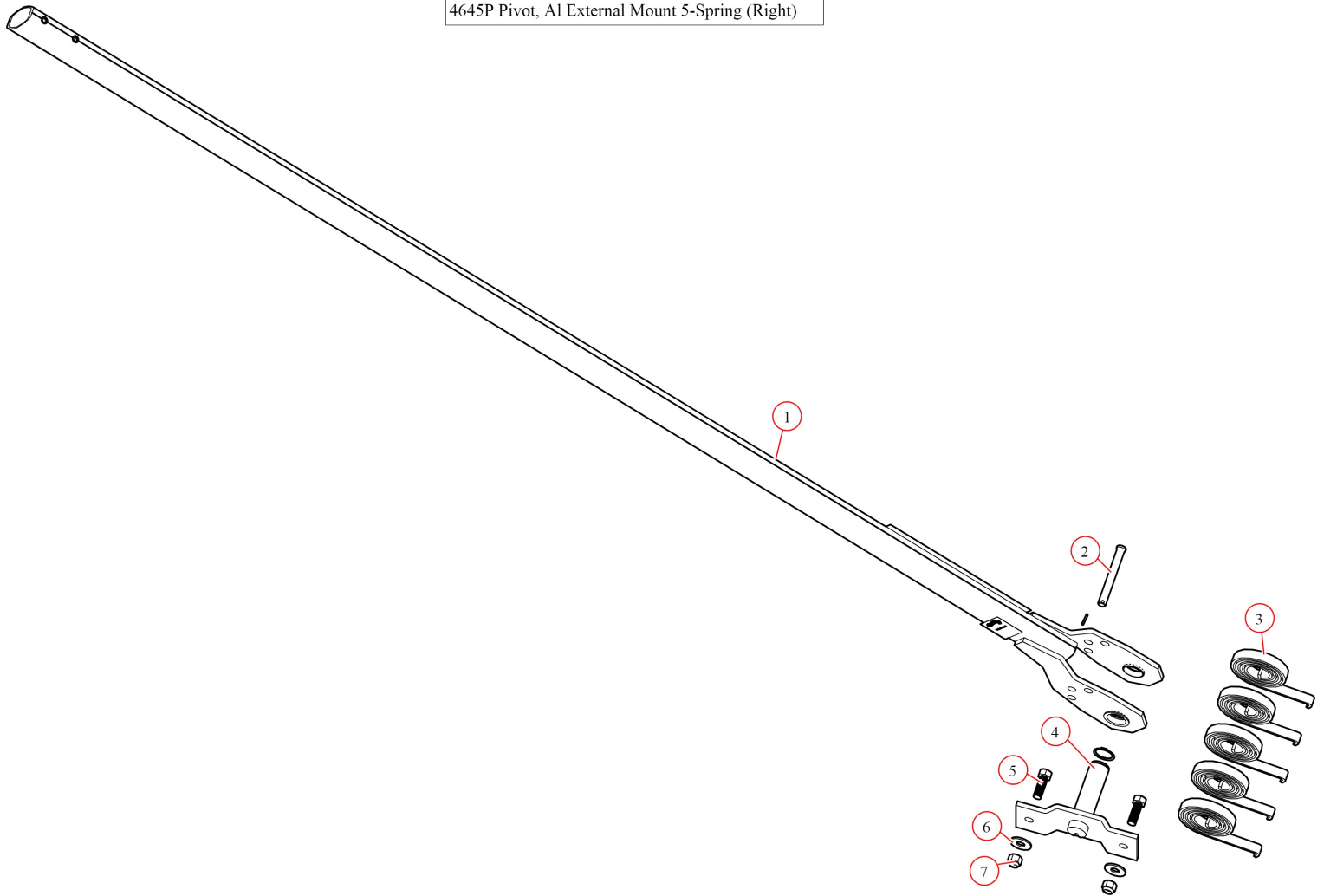
Bom ID	Part#	Description	qty
1	46150	Pivot Tube. w/ side plates. set screws for 5-spr ex	1
2	18560	Pin. 1/2 x 4 1/8 Special Clevis	1
3	47230	Spring. Spiral Torsion Spring 1 1/4"	5
4	45350	Pivot Pin. 5-Spring	2
5	18296	Bolt. 1/2" x 1 1/2" Hex Head Bolt	2
6	18412	Washer. 1/2" Flat Zinc	2
7	18631	Nut. 1/2" Nylock Nut	2

46150 Pivot Tube, w/ side plates, set screws for 5-spr ex



Bom ID	Part#	Description	qty
1	47040	Bushing. 1 1/4 Poly T- Bushing for Pivot Pin	2
2	18560	Pin. 1/2 x 4 1/8 Special Clevis	1
3	18293	Screw. 1/2" x 3/8" Set Screw	2

4645P Pivot, Al External Mount 5-Spring (Right)



Bom ID	Part#	Description	qty
1	46150	Pivot Tube. w/ side plates. set screws for 5-spr ex	1
2	18560	Pin. 1/2 x 4 1/8 Special Clevis	1
3	47230	Spring. Spiral Torsion Spring 1 1/4"	5
4	45350	Pivot Pin. 5-Spring	1
5	18296	Bolt. 1/2" x 1 1/2" Hex Head Bolt	2
6	18412	Washer. 1/2" Flat Zinc	2
7	18631	Nut. 1/2" Nylock Nut	2