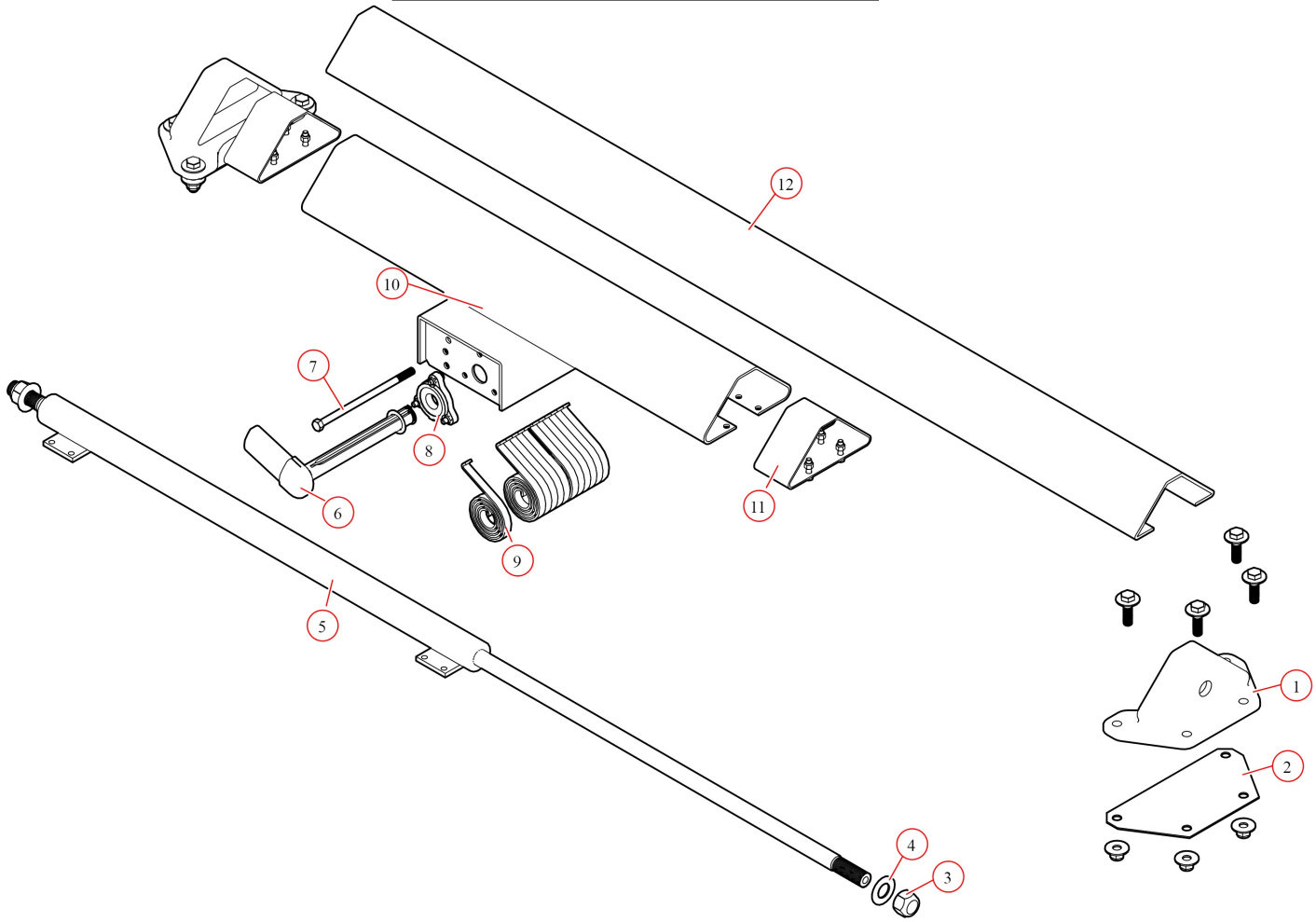


[Pivot. 3 ft. Low Profile Sliding 12 Spring Passenger](#)

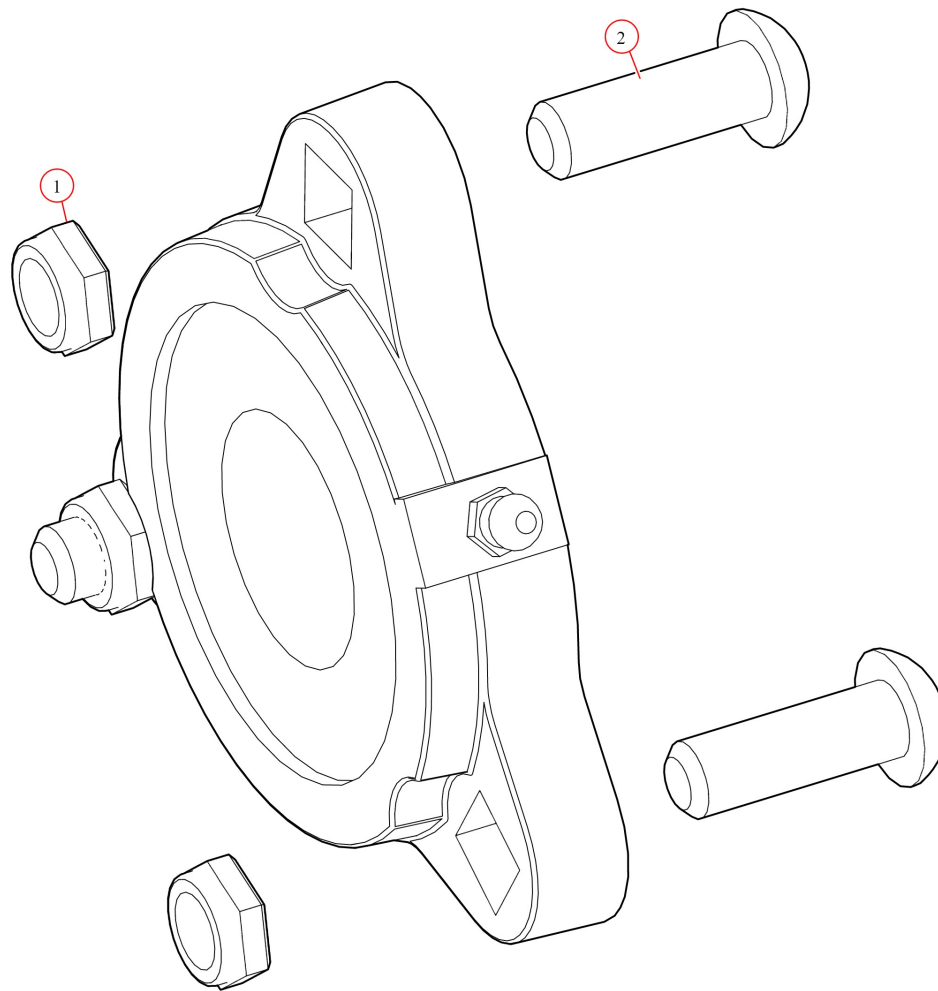
Part Number: 47725P

4772P5 Pivot, 3ft low Profile Sliding 12 Spring Passenger



Bom ID	Part#	Description	qty
1	46750	Bracket. Triangular Cast End Bracke for Sliding Pivot (Pair)	1
2	46740	Bushing. for Roll Off Sliding Pivot Triangle (pair)	1
3	18645	Nut. 1- 1/8" Nylock Nut	2
4	18420	Washer. 1-1/8" SAE Flat Zinc	2
5	47781	Cylinder. Hydraulic only for 3' Sliding Pivot (each)	1
6	46403	Pivot Pin. for 12 Spring Roller Bearing Pivot-Pass	1
7	18301	Bolt. 1/2" -13x9 1/2 Zinc Hex Head Bolt	1
8	47800	Bearing. Carrier Underbody Flanged	2
9	47230	Spring. Spiral Torsion Spring 1 1/4"	12
10	47779	Pivot. Outer Extrusion w/ 12-Spring (Pass)	1
11	46752	Spacer. Triangular Sliding Pivot Plastic Tyvek Mount Spacer	2
12	47820	Inner Extrusion. for 3' Sliding Pivot	1

47800 Bearing, Carrier Underbody Flanged



Bom ID	Part#	Description	qty
1	18628	Nut. Nylock nut 3/8" Jamb Nut	2
2	18242	Bolt. 3/8"-16 x 1 1/8" Button Head	2