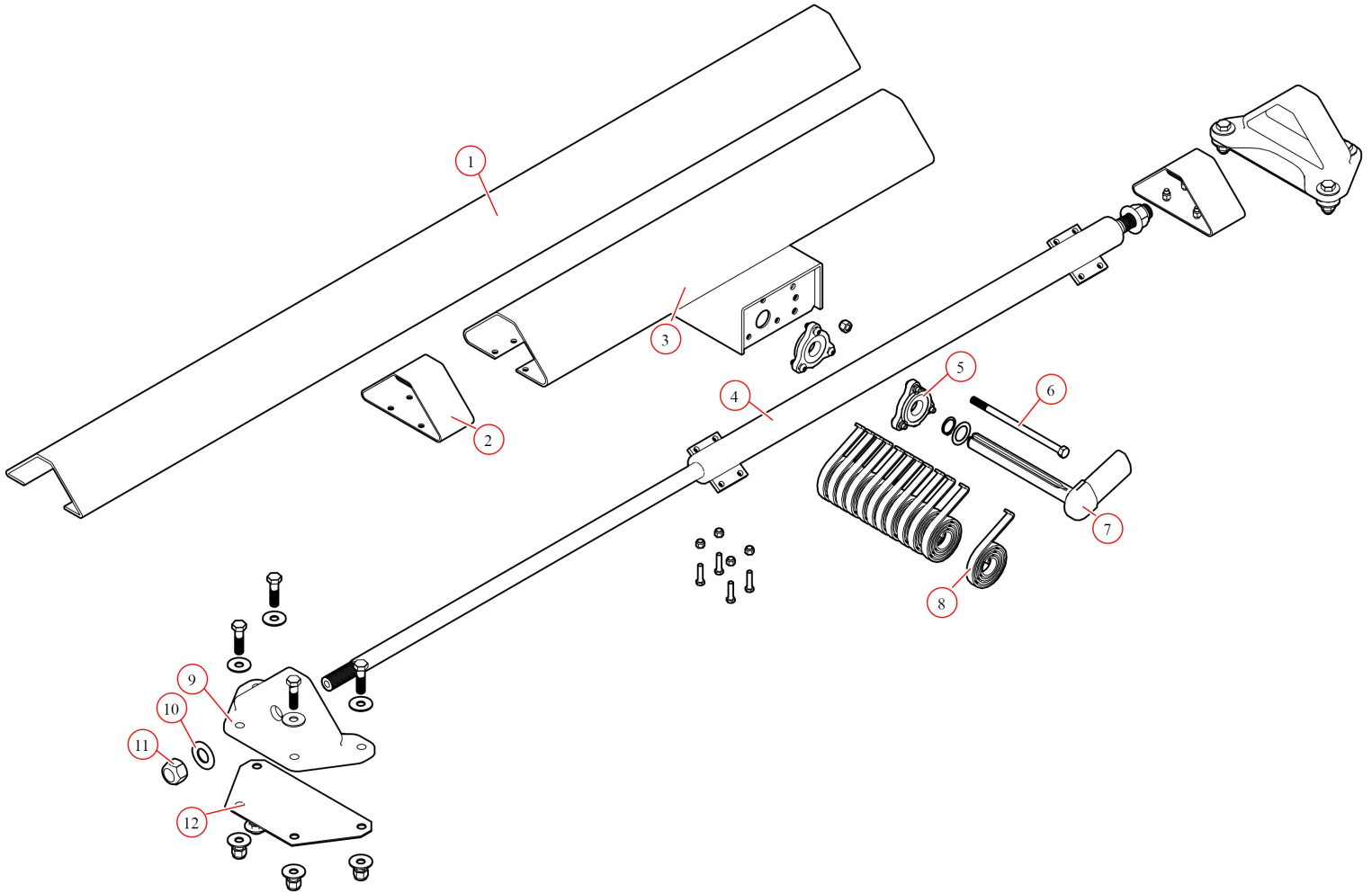


[Pivot. 3 ft. Low Profile Sliding 12 Spring Driver](#)

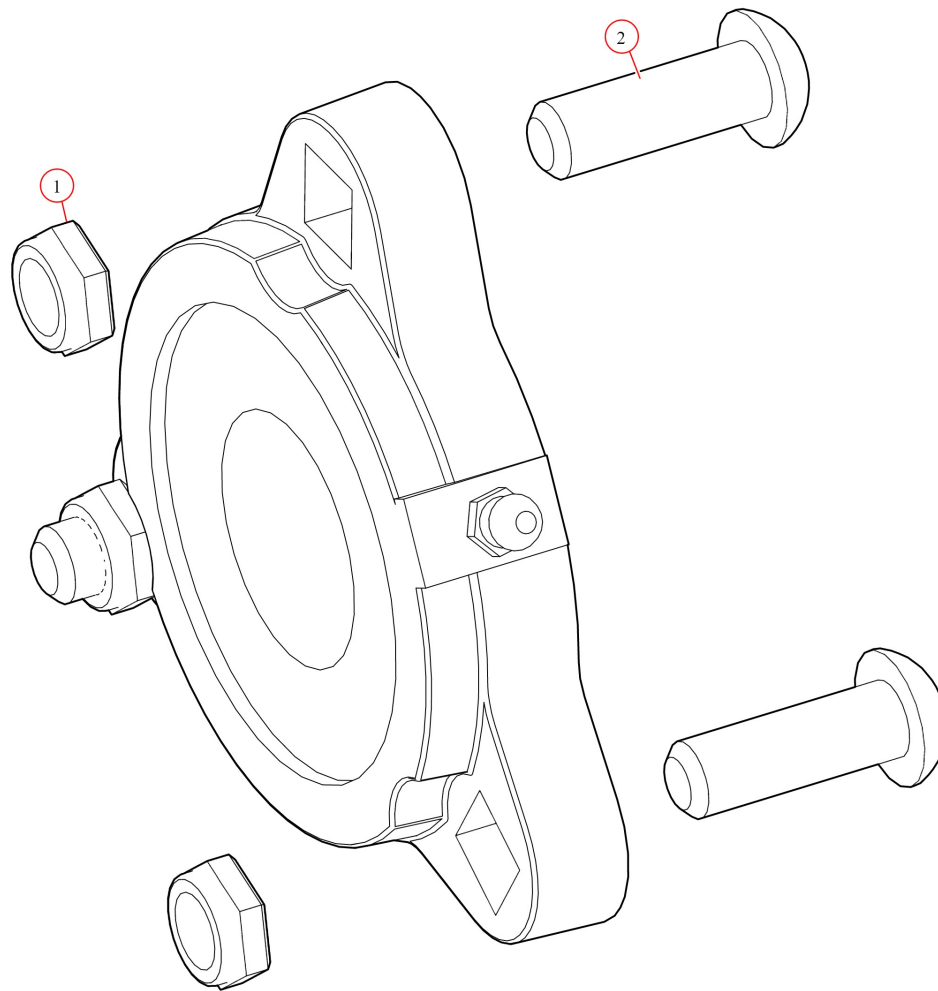
Part Number: 47725D

47725D Pivot, 3ft low Profile Sliding 12 Spring Driver



Bom ID	Part#	Description	qty
1	47820	Inner Extrusion. for 3' Sliding Pivot	1
2	46740	Bushing. for Roll Off Sliding Pivot Triangle (pair)	2
3	47778	Pivot. Outer Extrusion w/ 12-Spring (Driver)	1
4	47781	Cylinder. Hydraulic only for 3' Sliding Pivot (each)	1
5	47800	Bearing. Carrier Underbody Flanged	2
6	18301	Bolt. 1/2" -13x9 1/2 Zinc Hex Head Bolt	1
7	46402	Pivot Pin. for 12 Spring Roller Bearing Pivot-DRV	1
8	47230	Spring. Spiral Torsion Spring 1 1/4"	12
9	46750	Bracket. Triangular Cast End Bracke for Sliding Pivot (Pair)	1
10	18420	Washer. 1-1/8" SAE Flat Zinc	2
11	18645	Nut. 1- 1/8" Nylock Nut	2
12	46752	Spacer. Triangular Sliding Pivot Plastic Tyvek Mount Spacer	1

47800 Bearing, Carrier Underbody Flanged



Bom ID	Part#	Description	qty
1	18628	Nut. Nylock nut 3/8" Jamb Nut	2
2	18242	Bolt. 3/8"-16 x 1 1/8" Button Head	2