

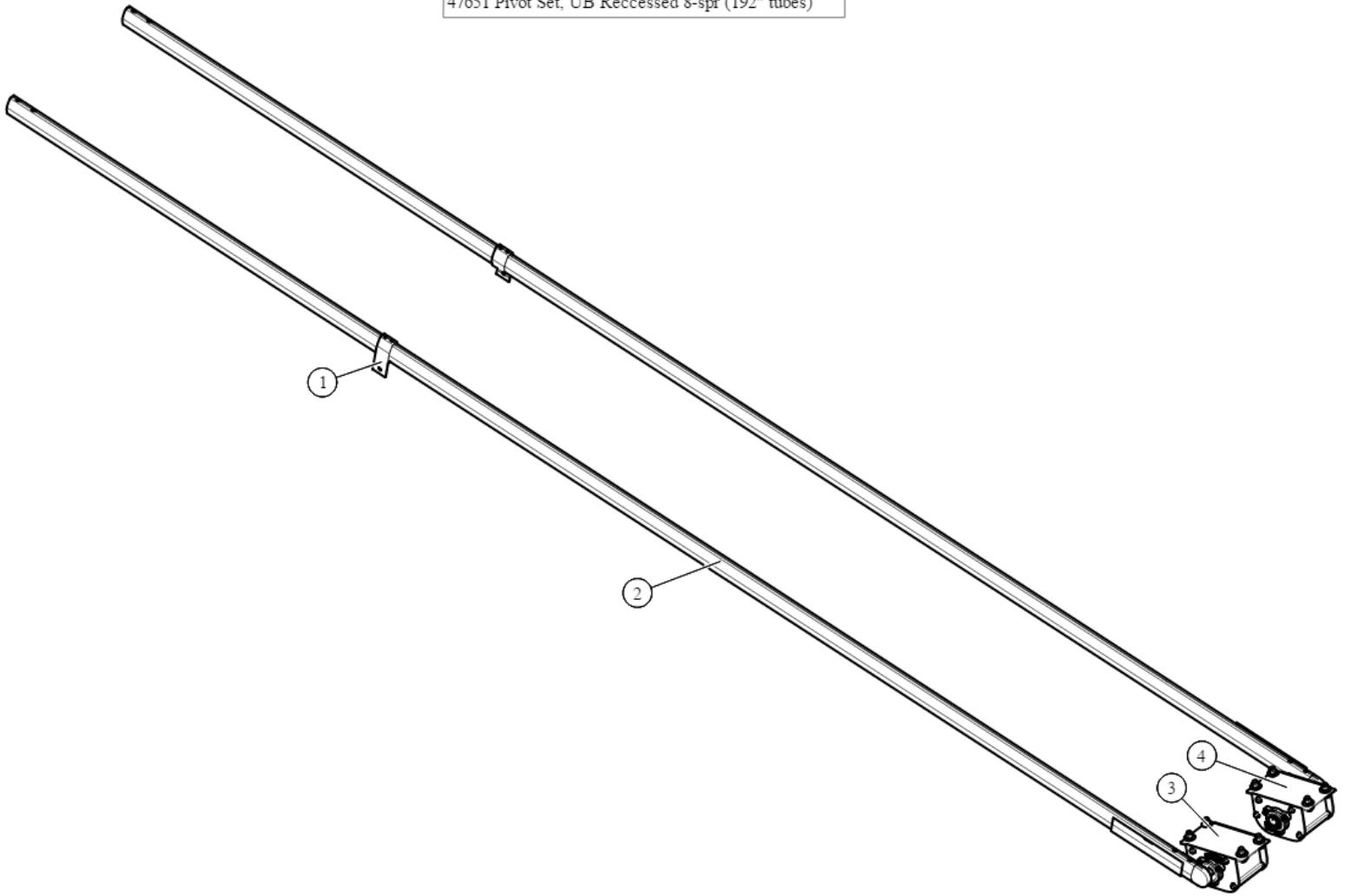


Pivot Set. 8 Spring Inverted Top Mount w/ 192" Pivot Tubes

(B1-102598 & B2-47602)

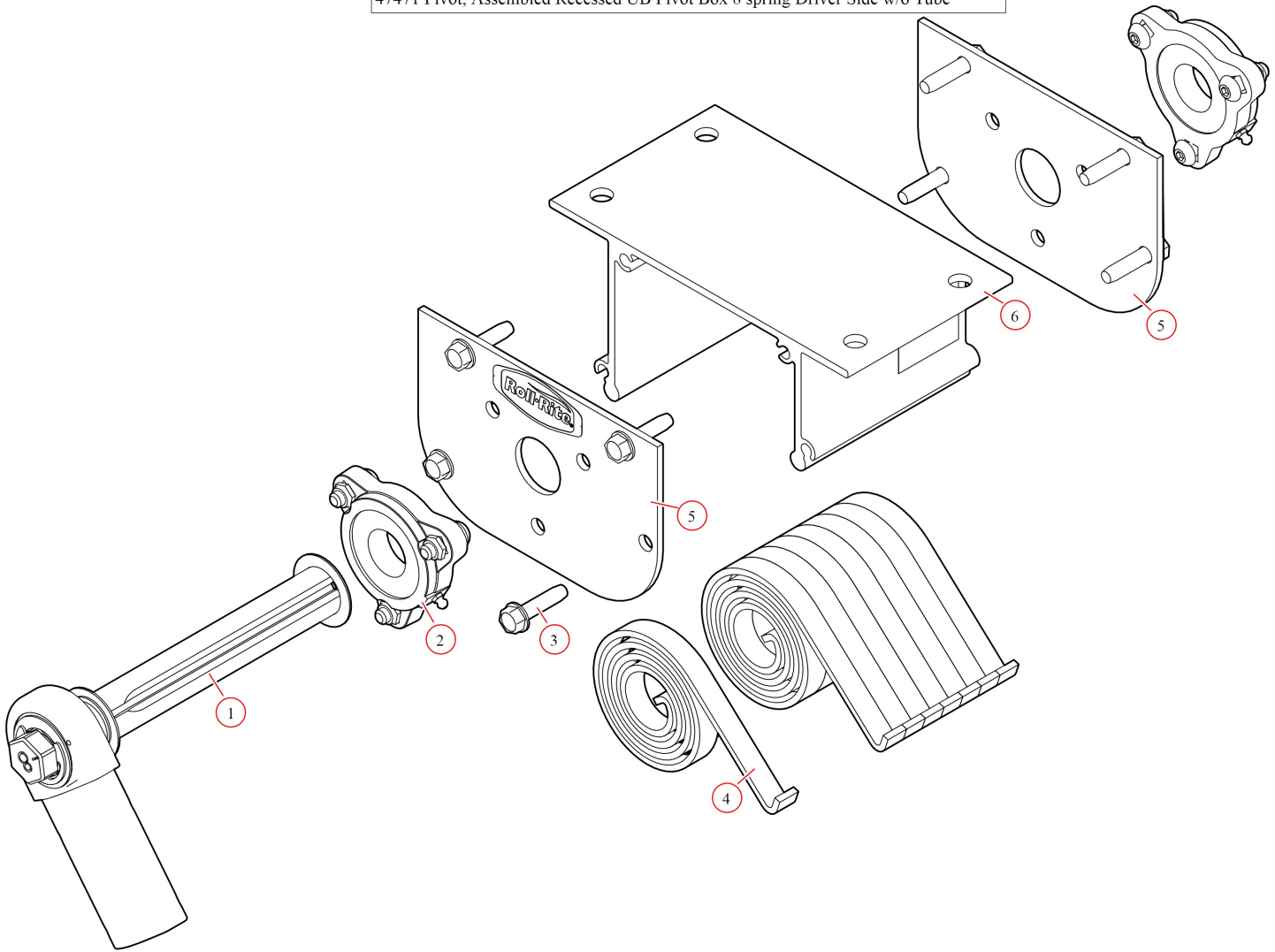
Part Number: 47651

47651 Pivot Set, UB Recessed 8-spr (192" tubes)



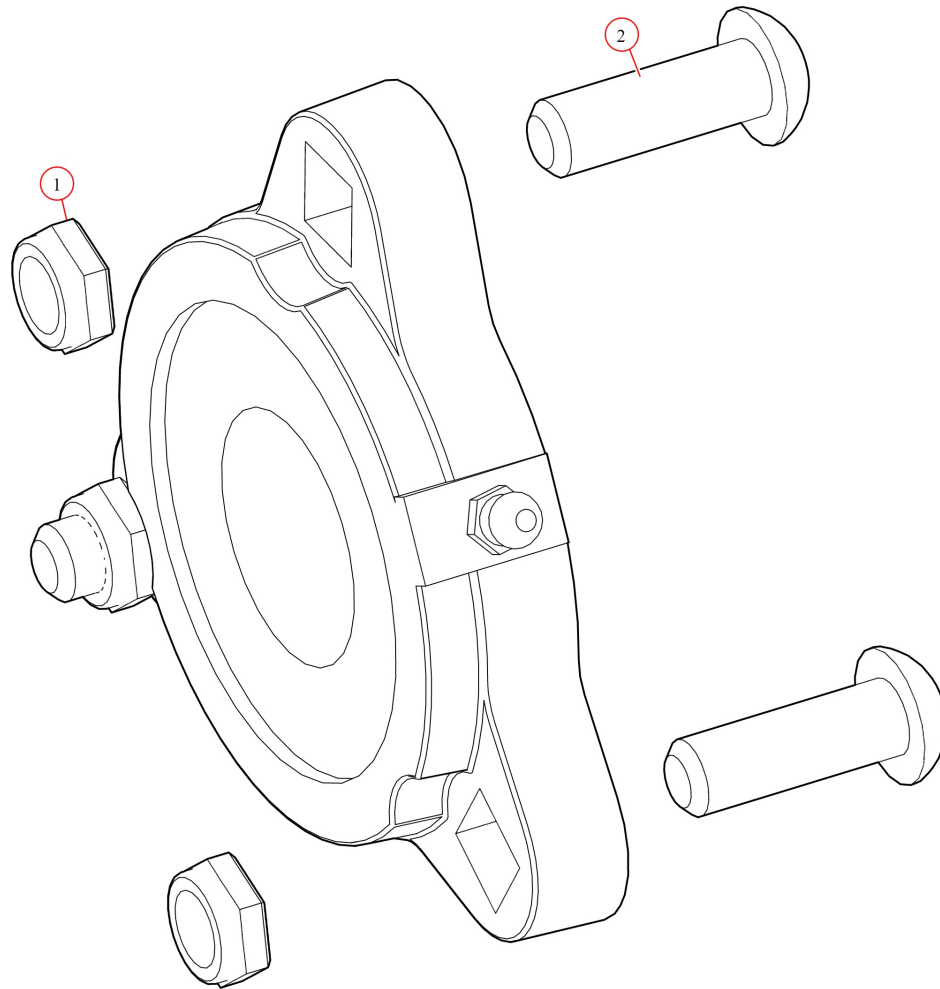
Bom ID	Part#	Description	qty
1	76831	Bracket. Pivot Arm Tie Down	2
2	47450	Pivot Tube. 192" -16ft- w/ Set Screws	2
3	47481	Pivot. UB Assembly Recessed 8 Spr w/o Tube - Pass	1
4	47471	Pivot. UB Assembly Recessed 8 Spr w/o Tube - Driver	1

47471 Pivot, Assembled Recessed UB Pivot Box 8 spring Driver Side w/o Tube



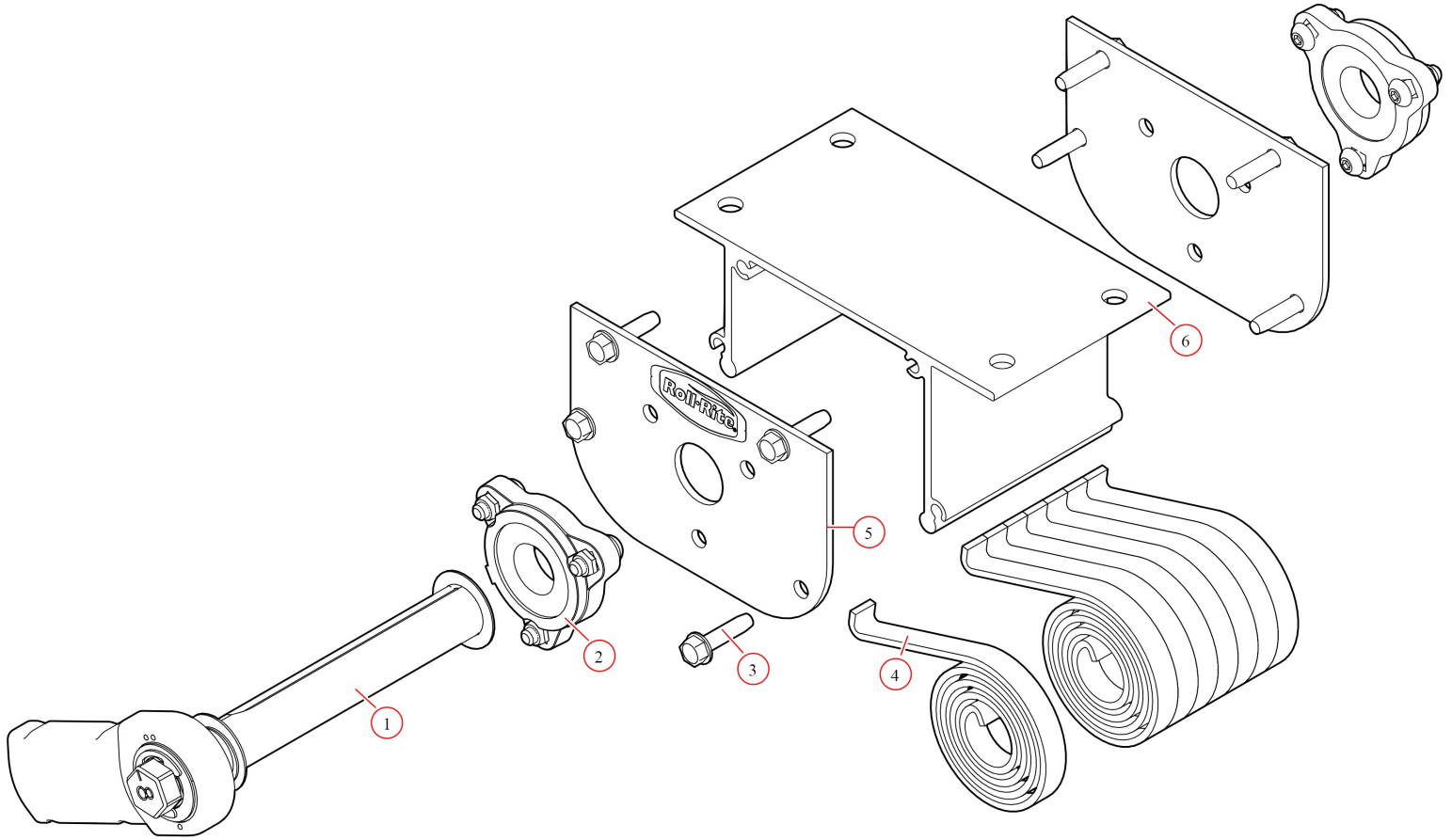
Bom ID	Part#	Description	qty
1	47400	Pivot Pin . for 8 Spring Roller Bearing Piv (Driv Side)	1
2	47800	Bearing. Carrier Underbody Flanged	2
3	18120	Bolt. 3/8" x 1-1/2" Thread Cutting Screw Hex Washer Hd	8
4	47230	Spring. Spiral Torsion Spring 1 1/4"	8
5	102259	Plate. Al Back for Ext Bolt Flange Mount UB Box	2
6	102269	Bracket. Ext Body with holes for 8 Spr UB Box	1

47800 Bearing, Carrier Underbody Flanged



Bom ID	Part#	Description	qty
1	18628	Nut. Nylock nut 3/8" Jamb Nut	2
2	18242	Bolt. 3/8"-16 x 1 1/8" Button Head	2

47481 Pivot, Assembled Recessed UB Pivot Box 8 spring Pass. Side



Bom ID	Part#	Description	qty
1	47410	Pivot Pin. for 8 Spring Roller Bearing Pivot Passenger Side	1
2	47800	Bearing. Carrier Underbody Flanged	2
3	18120	Bolt. 3/8" x 1-1/2" Thread Cutting Screw Hex Washer Hd	8
4	47230	Spring. Spiral Torsion Spring 1 1/4"	8
5	102259	Plate. Al Back for Ext Bolt Flange Mount UB Box	1
6	102269	Bracket. Ext Body with holes for 8 Spr UB Box	1