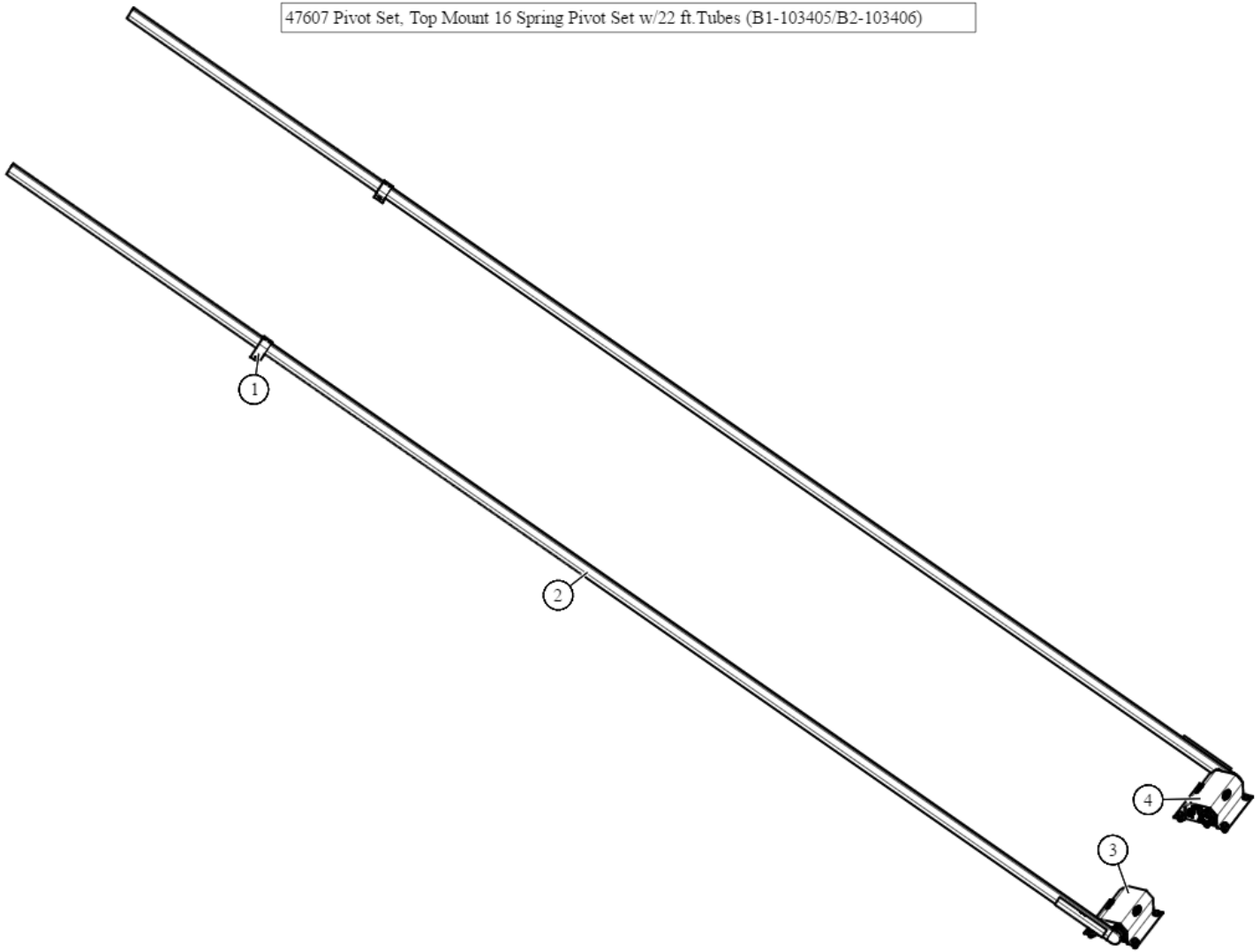


[Pivot Set. Top Mount 16 Spring Pivot Set w/22 ft.Tubes](#)

[\(B1-103405/B2-103406\)](#)

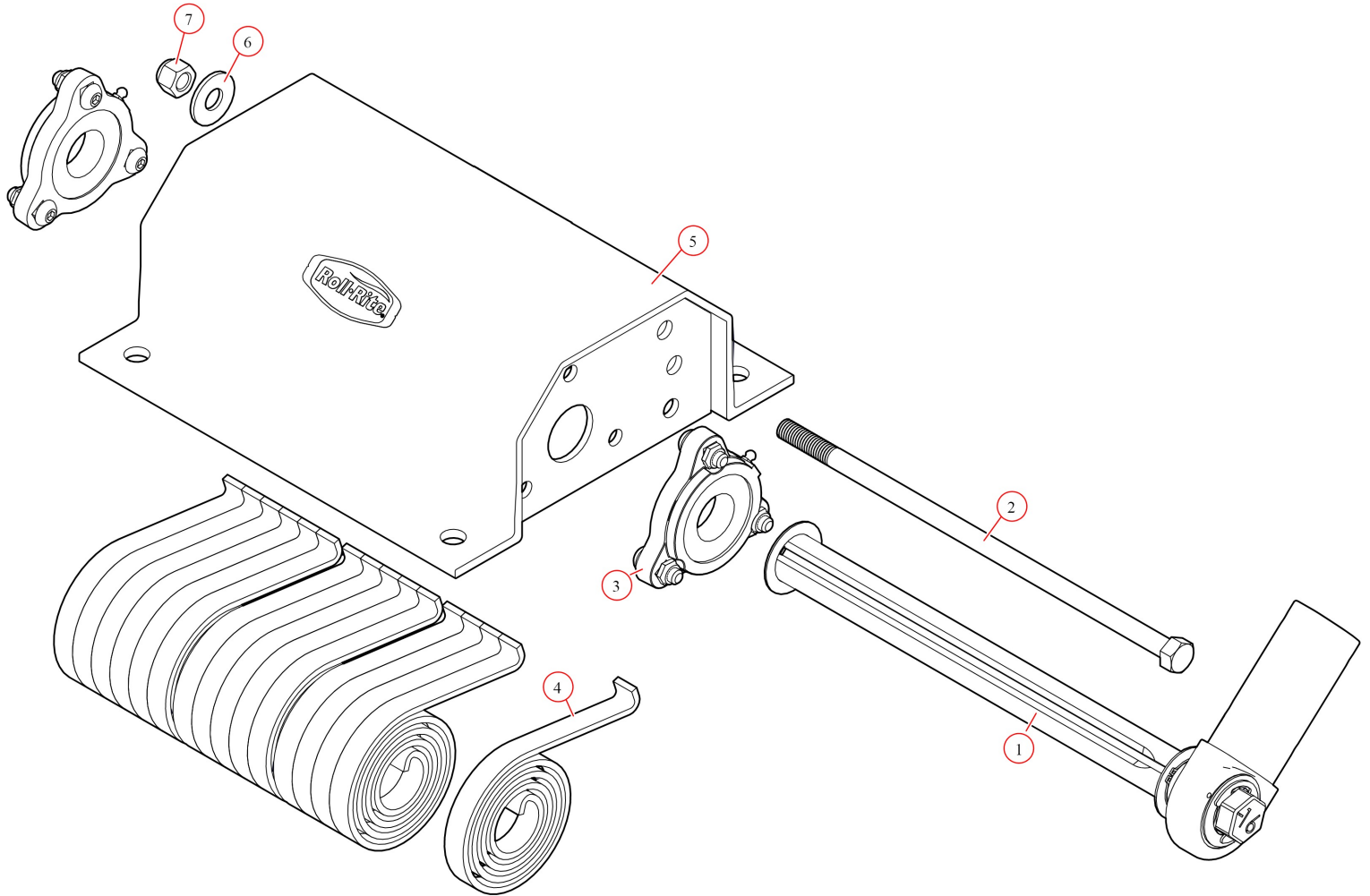
**Part Number: 47607**

47607 Pivot Set, Top Mount 16 Spring Pivot Set w/22 ft.Tubes (B1-103405/B2-103406)



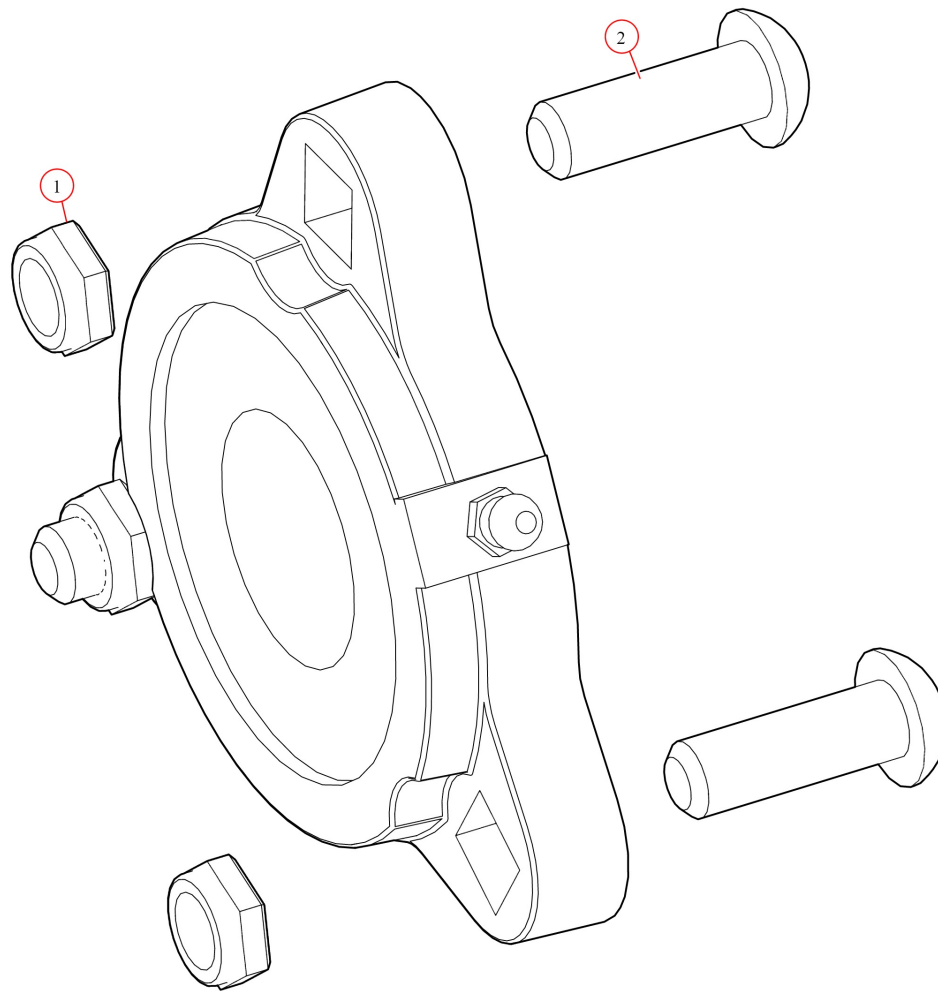
| Bom ID | Part# | Description   | qty |
|--------|-------|---|-----|
| 1      | 76831 | Bracket. Pivot Arm Tie Down                                     | 2   |
| 2      | 46262 | Pivot Tube. 22' w/ Set Screws                                   | 2   |
| 3      | 46024 | Pivot Assembly. 16 Spring Top Mount w/out Tube - Passenger Side | 1   |
| 4      | 46023 | Pivot Assembly. 16 Spring Top Mount w/out Tube - Drivers Side   | 1   |

46023 Pivot, Assembly 16-spr Top Mount w/o tube -Driver Side



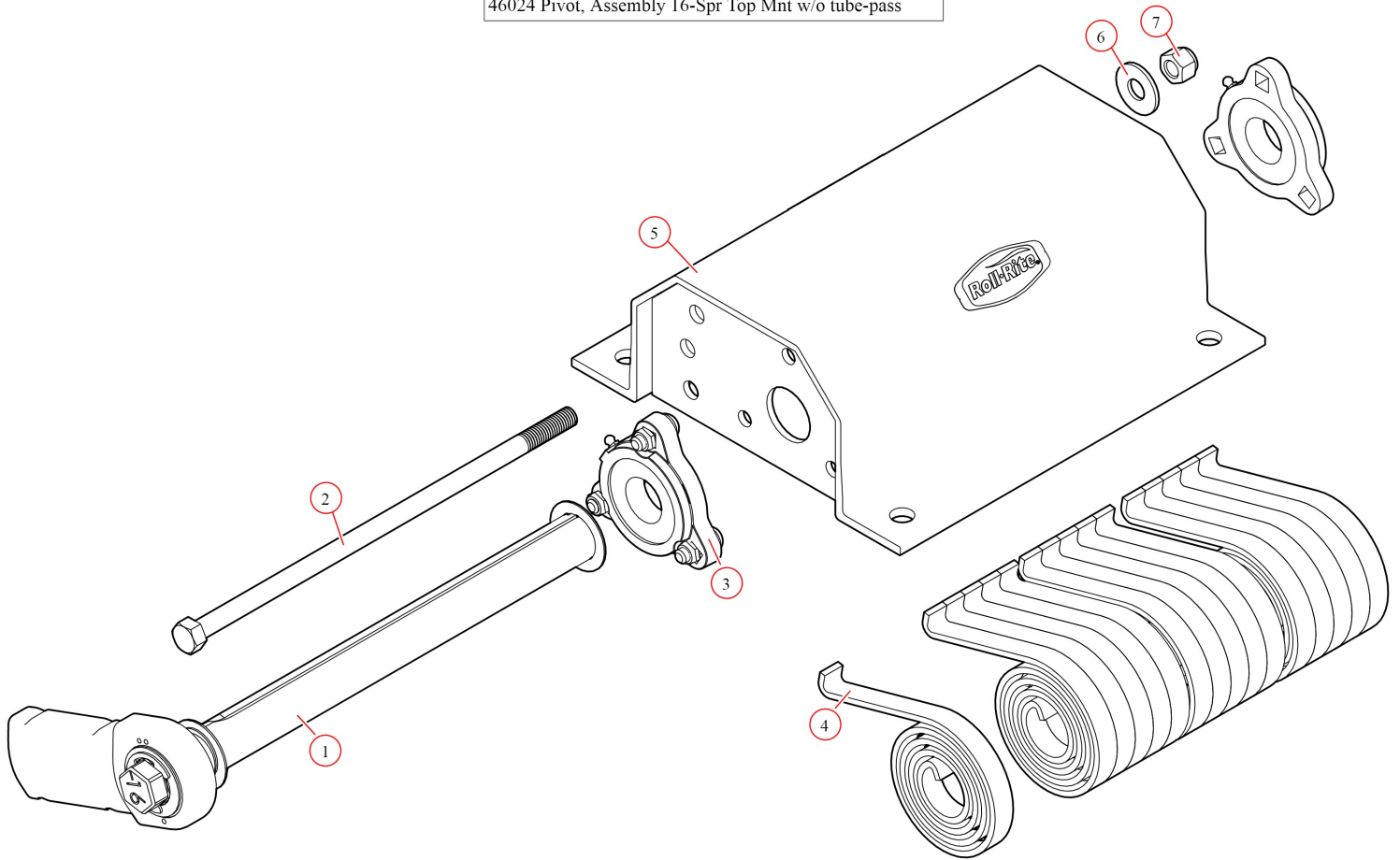
| Bom ID | Part# | Description   | qty |
|--------|-------|---|-----|
| 1      | 46407 | Pivot Pin. for 16 Spring Roller Bearing Pivot- Driver               | 1   |
| 2      | 18575 | Bolt. Bolt for Pin. 1/2" x 13 Zinc Hex Head Grade 5 - 16 spring box | 1   |
| 3      | 47800 | Bearing. Carrier Underbody Flanged                                  | 2   |
| 4      | 47230 | Spring. Spiral Torsion Spring 1 1/4"                                | 16  |
| 5      | 46409 | Pivot Box. Bracket for 16-Spring Top Mount Pivot (each)             | 1   |
| 6      | 18412 | Washer. 1/2" Flat Zinc  | 1   |
| 7      | 18631 | Nut. 1/2" Nylock Nut  | 1   |

47800 Bearing, Carrier Underbody Flanged



| Bom ID | Part# | Description                        | qty |
|--------|-------|------------------------------------|-----|
| 1      | 18628 | Nut. Nylock nut 3/8" Jamb Nut      | 2   |
| 2      | 18242 | Bolt. 3/8"-16 x 1 1/8" Button Head | 2   |

46024 Pivot, Assembly 16-Spr Top Mnt w/o tube-pass



| Bom ID | Part# | Description   | qty |
|--------|-------|---|-----|
| 1      | 46408 | Pivot Pin. for 16-Spring Roller Bearing Pivot - Passenger           | 1   |
| 2      | 18575 | Bolt. Bolt for Pin. 1/2" x 13 Zinc Hex Head Grade 5 - 16 spring box | 1   |
| 3      | 47800 | Bearing. Carrier Underbody Flanged                                  | 2   |
| 4      | 47230 | Spring. Spiral Torsion Spring 1 1/4"                                | 16  |
| 5      | 46409 | Pivot Box. Bracket for 16-Spring Top Mount Pivot (each)             | 1   |
| 6      | 18412 | Washer. 1/2" Flat Zinc  | 1   |
| 7      | 18631 | Nut. 1/2" Nylock Nut  | 1   |