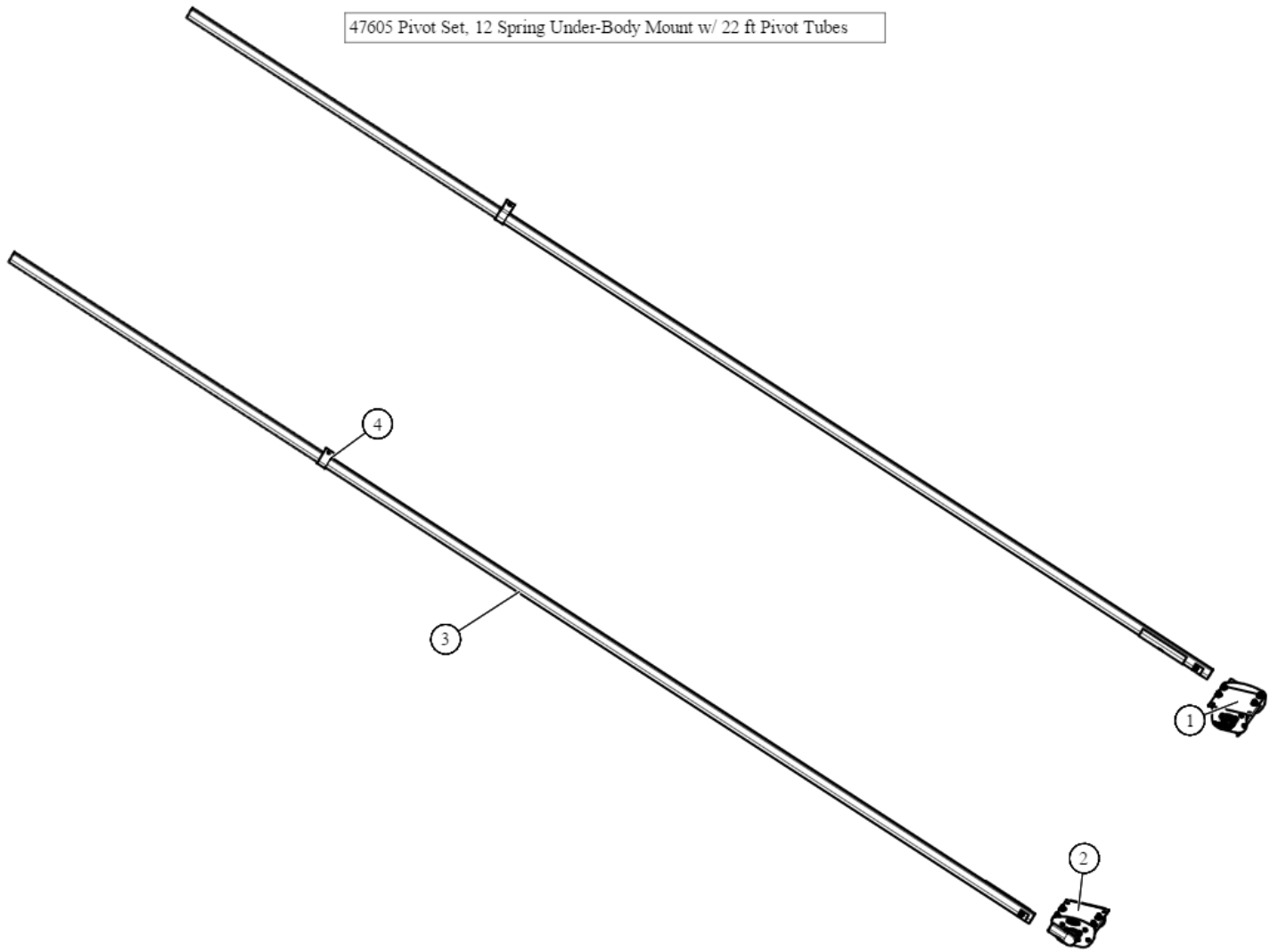


Pivot Set. 12 Spring Under-Body Mount w/ 22 ft Pivot Tubes

(B1-102599 & B2-102115)

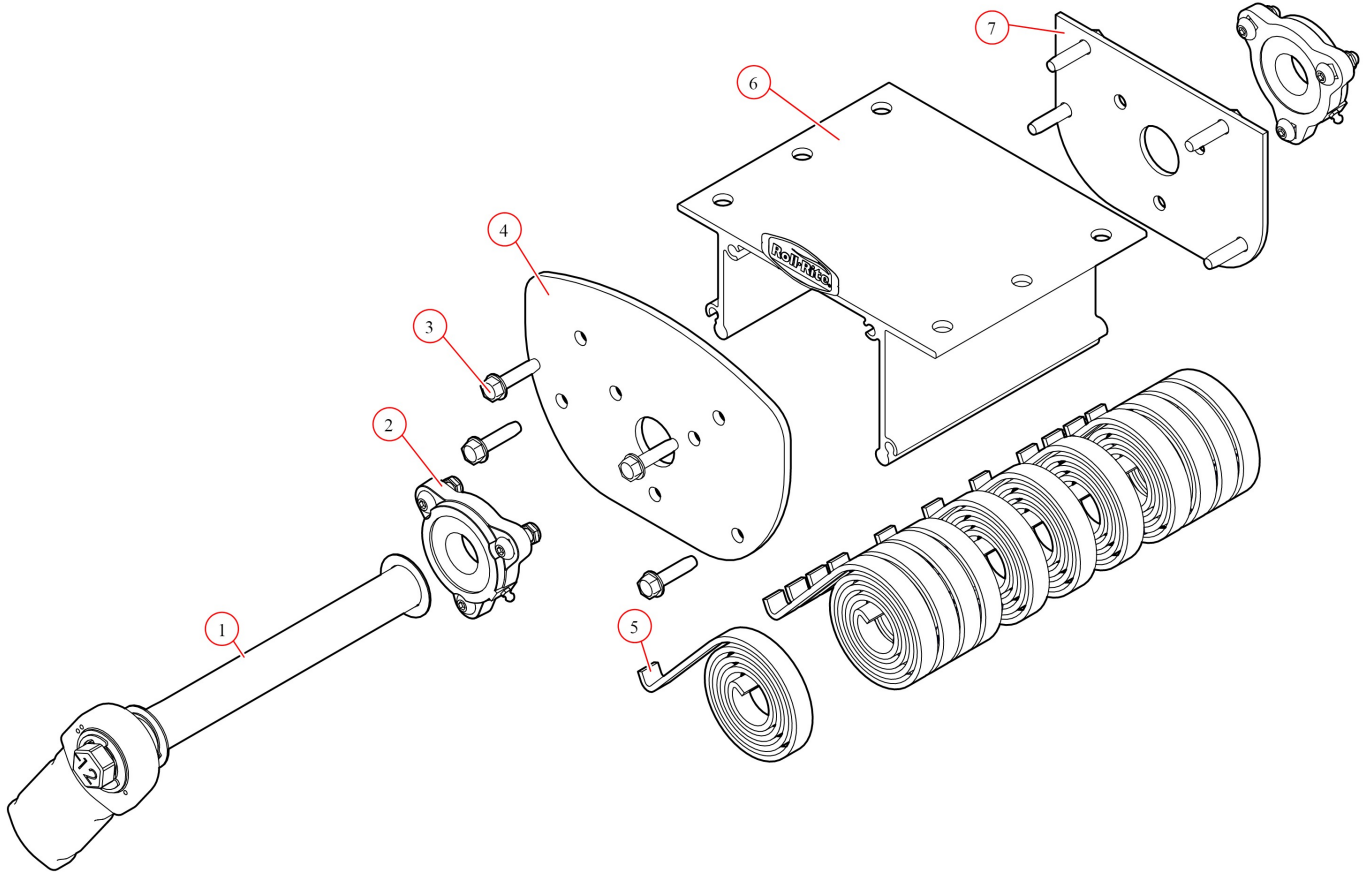
**Part Number: 47605**

47605 Pivot Set, 12 Spring Under-Body Mount w/ 22 ft Pivot Tubes



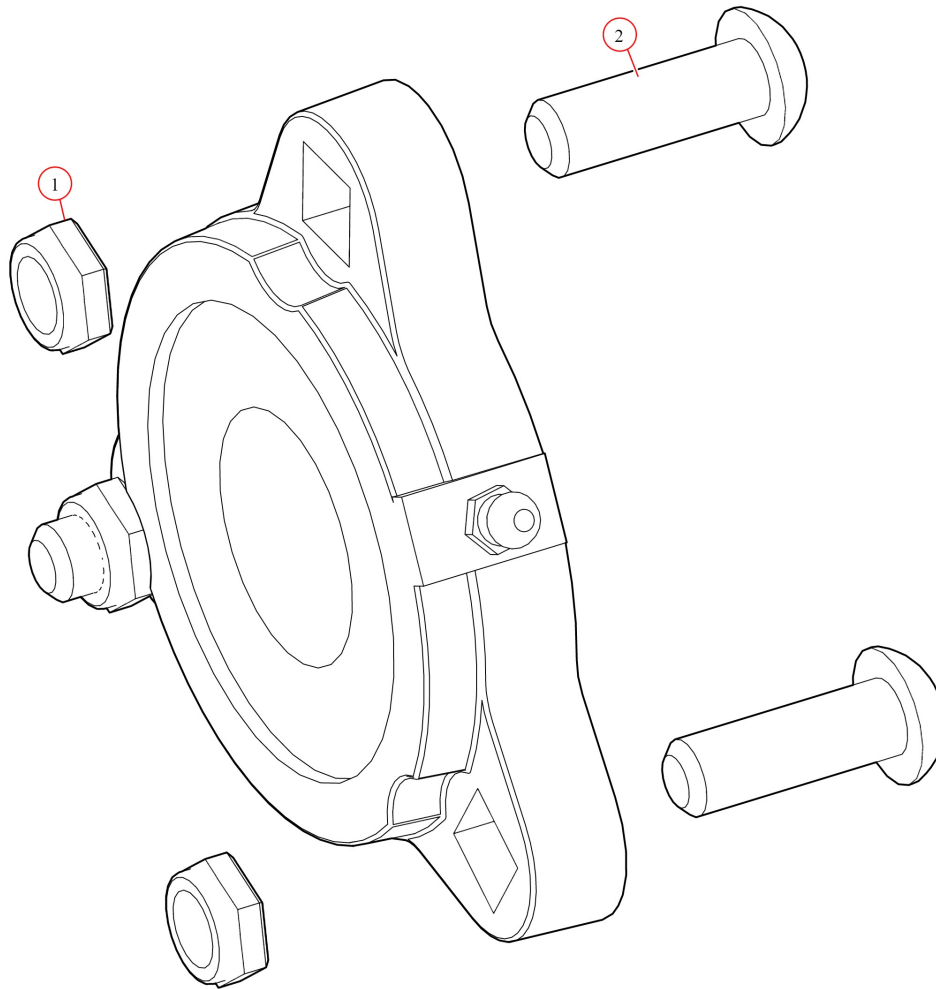
Bom ID	Part#	Description	qty
1	103299	Pivot. UB Assembly 12-Spr Passenger w/o tube Each	1
2	103300	Pivot. UB Assembly 12-Spr Drivers w/o Tube Each	1
3	46262	Pivot Tube. 22' w/ Set Screws	2
4	76831	Bracket. Pivot Arm Tie Down	2

103299 Pivot, UB Assembly 12-Spr Passenger w/o tube Each



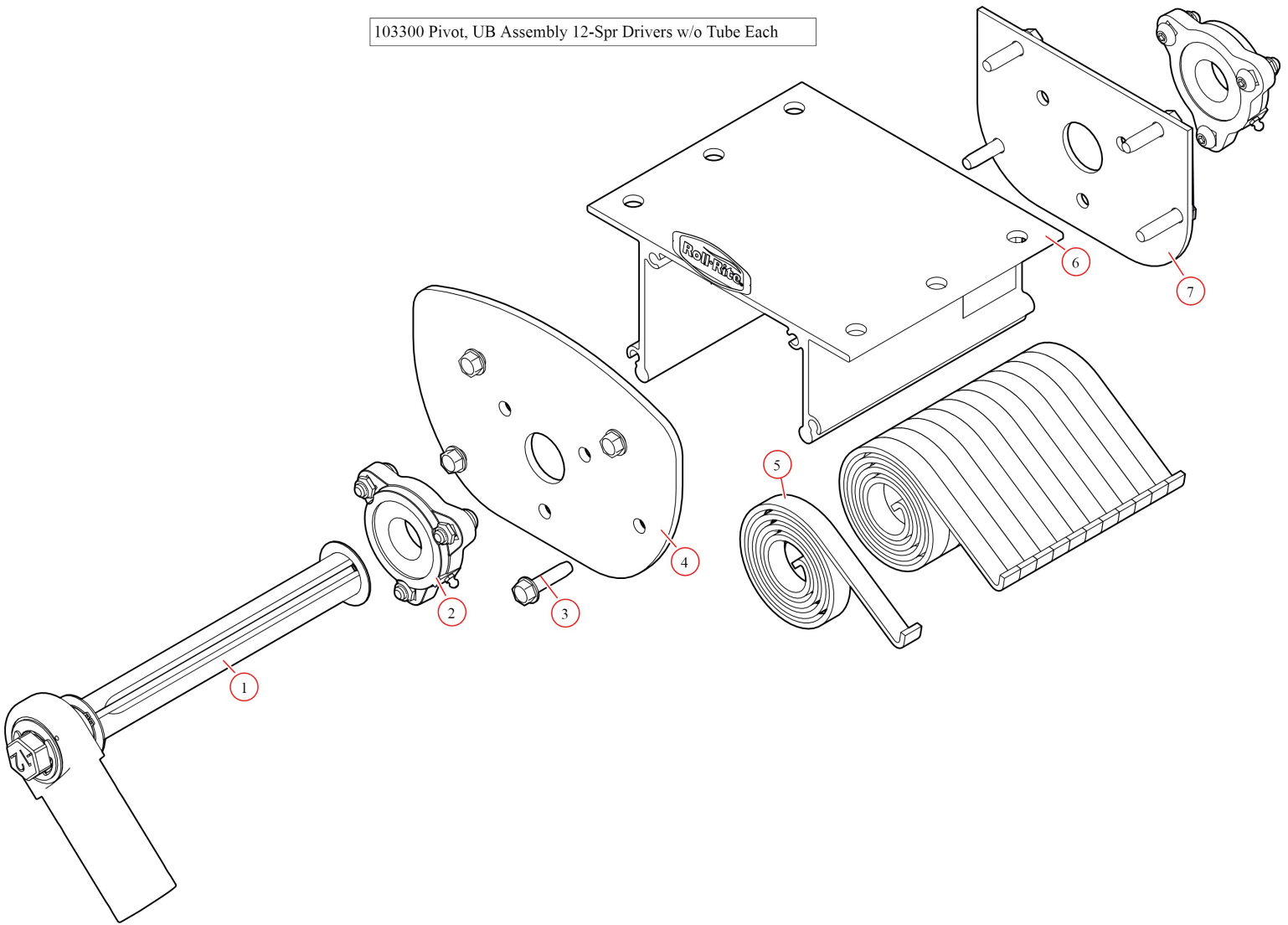
Bom ID	Part#	Description	qty
1	46403	Pivot Pin. for 12 Spring Roller Bearing Pivot-Pass	1
2	47800	Bearing. Carrier Underbody Flanged	2
3	18120	Bolt. 3/8" x 1-1/2" Thread Cutting Screw Hex Washer Hd	8
4	102349	Plate. Al Front for Ext Bolt Flange Mount UB Box	1
5	47230	Spring. Spiral Torsion Spring 1 1/4"	12
6	102580	Bracket. Ext Body with holes for 12 Spr UB Box	1
7	102259	Plate. Al Back for Ext Bolt Flange Mount UB Box	1

47800 Bearing, Carrier Underbody Flanged



Bom ID	Part#	Description	qty
1	18628	Nut. Nylock nut 3/8" Jamb Nut	2
2	18242	Bolt. 3/8"-16 x 1 1/8" Button Head	2

103300 Pivot, UB Assembly 12-Spr Drivers w/o Tube Each



Bom ID	Part#	Description	qty
1	46402	Pivot Pin. for 12 Spring Roller Bearing Pivot-DRV	1
2	47800	Bearing. Carrier Underbody Flanged	2
3	18120	Bolt. 3/8" x 1-1/2" Thread Cutting Screw Hex Washer Hd	8
4	102349	Plate. Al Front for Ext Bolt Flange Mount UB Box	1
5	47230	Spring. Spiral Torsion Spring 1 1/4"	12
6	102580	Bracket. Ext Body with holes for 12 Spr UB Box	1
7	102259	Plate. Al Back for Ext Bolt Flange Mount UB Box	1