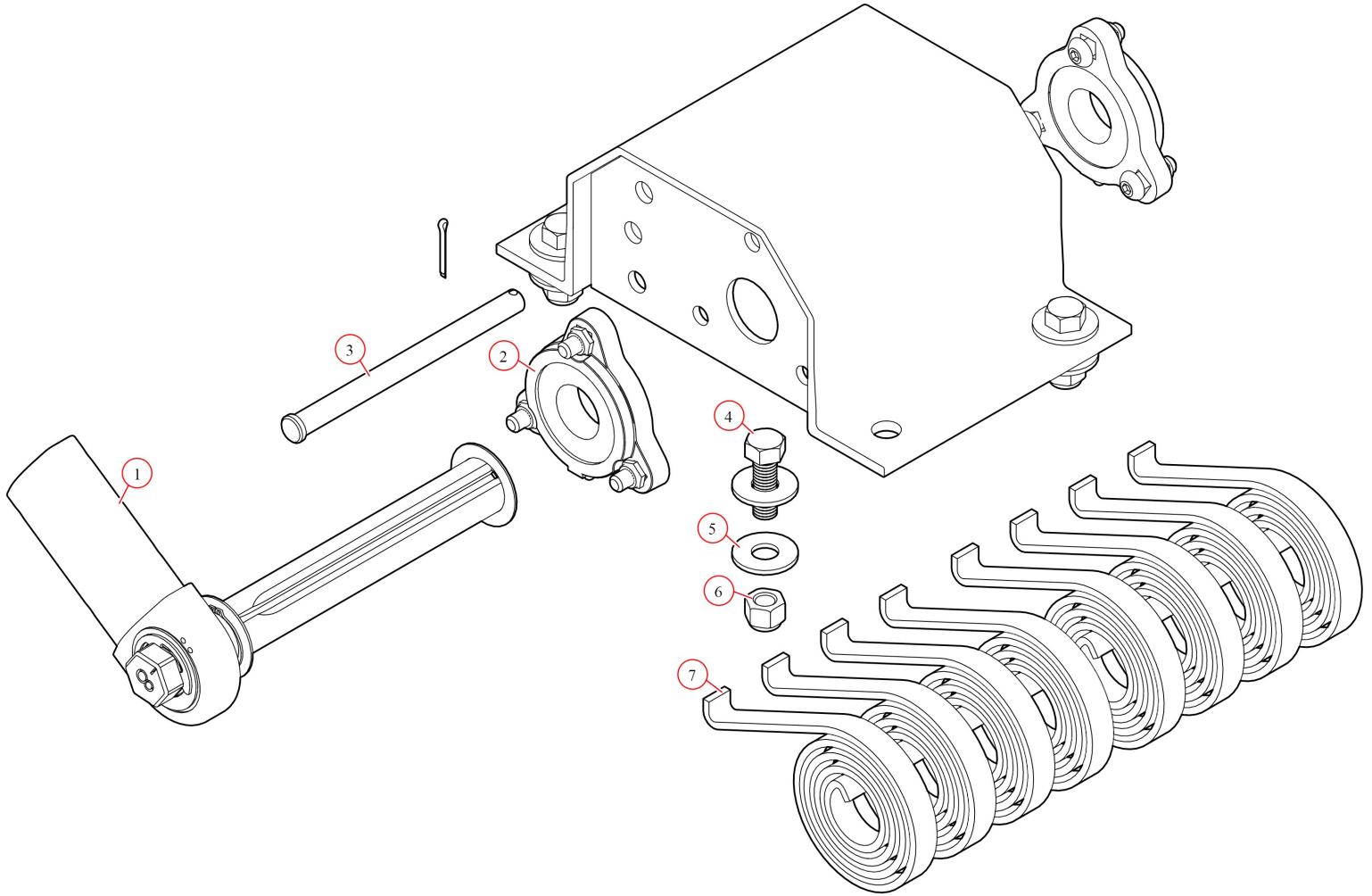


Pivot Assembly. 8 Spring Top Mount Pivot w/out Tube -
Passenger Side

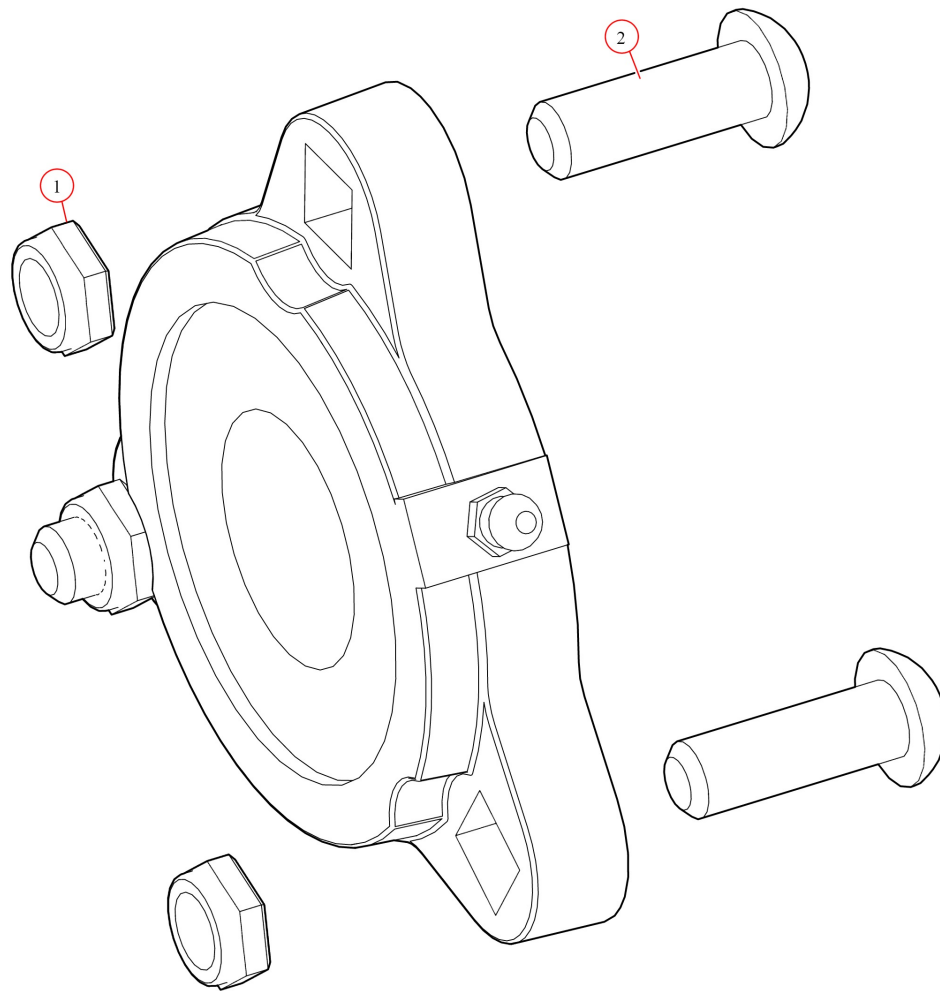
Part Number: 47480

47480 Pivot Assembly, 8 Spring Top Mount Pivot w/out Tube - Passenger Side



Bom ID	Part#	Description	qty
1	47410	Pivot Pin. for 8 Spring Roller Bearing Pivot Passenger Side	1
2	47800	Bearing. Carrier Underbody Flanged	2
3	18550	Pin. 1/2" x 6-1/2" Clevis	1
4	18296	Bolt. 1/2" x 1 1/2" Hex Head Bolt	4
5	18412	Washer. 1/2" Flat Zinc	8
6	18631	Nut. 1/2" Nylock Nut	4
7	47230	Spring. Spiral Torsion Spring 1 1/4"	8

47800 Bearing, Carrier Underbody Flanged



Bom ID	Part#	Description	qty
1	18628	Nut. Nylock nut 3/8" Jamb Nut	2
2	18242	Bolt. 3/8"-16 x 1 1/8" Button Head	2