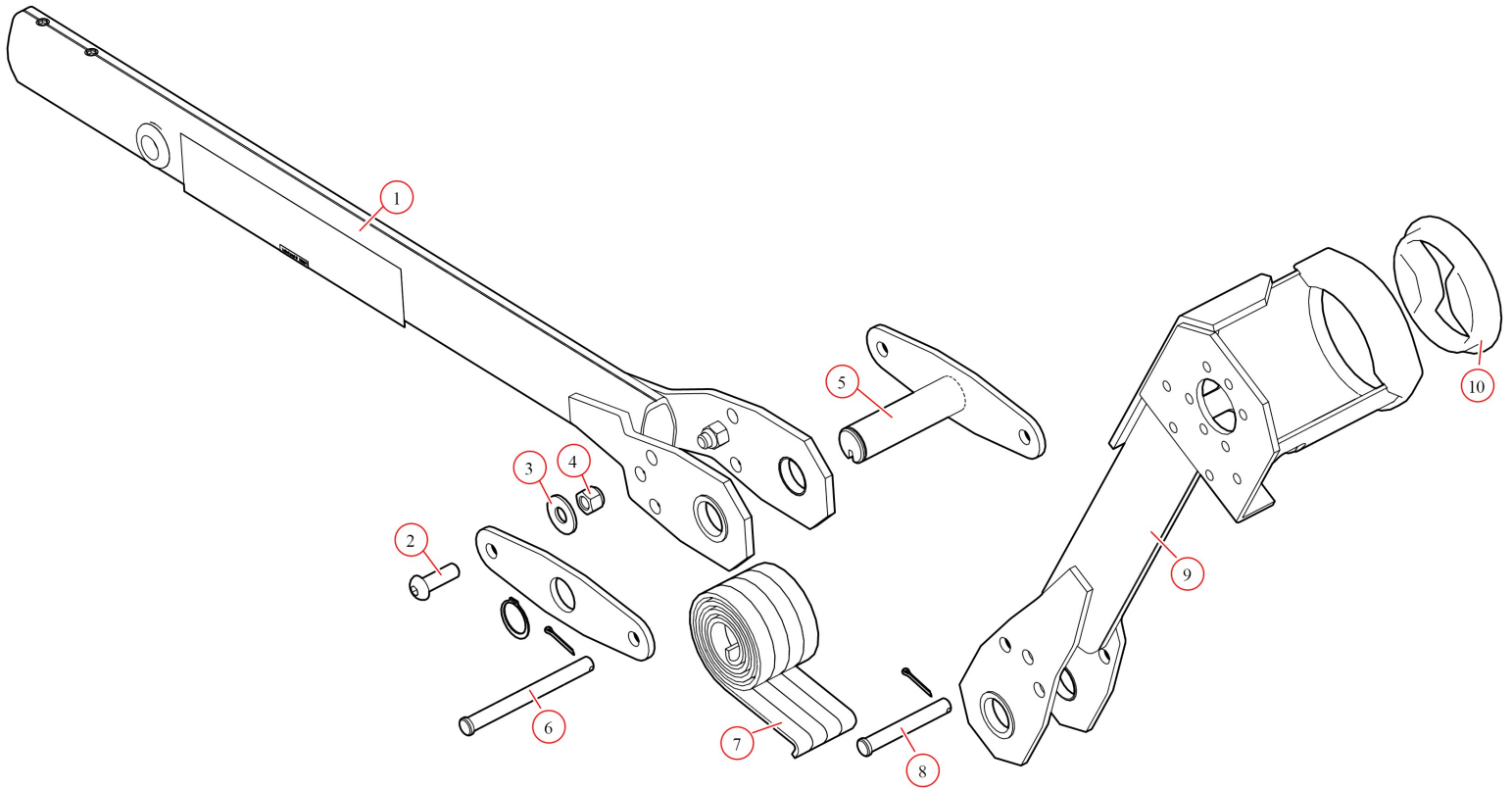


Pivot. Assembled Knuckle Arm for 37200. Motor End

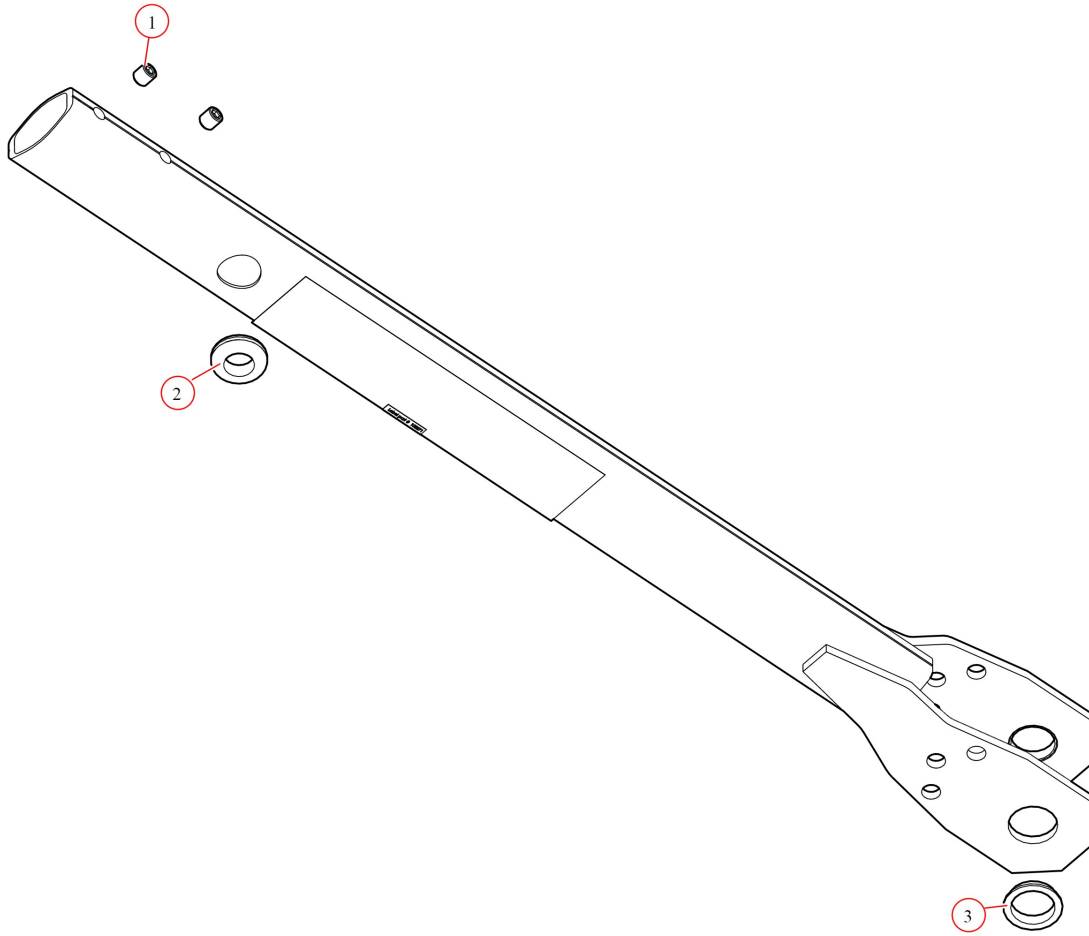
Part Number: 46802

46802 Pivot, Assembled Knuckle Arm for 37200, Motor End



Bom ID	Part#	Description	qty
1	102199	Pivot Tube. Base W/Side Plates and Set Screws for 4 spring SS Knu...	1
2	18295	Bolt. 1/2" x 1 1/2" Button Head Bolt	2
3	18412	Washer. 1/2" Flat Zinc	2
4	18631	Nut. 1/2" Nylock Nut	2
5	47970	Bracket. 4 Sp Knuckle pin w/ stop plate for SS pvt. mtr end	1
6	18540	Pin. 1/2" x 5-1/4" Clevis	1
7	47230	Spring. Spiral Torsion Spring 1 1/4"	4
8	18520	Pin. 1/2" x 3-1/2" Clevis	1
9	102197	Pivot Tube. Front Upper for 4 Spr Knuckle W/ bushing 13.06" Tube	1
10	37580	Bushing. Axle Stabilizer for 4" Axle	1

102199 Pivot Tube, Base W/Side Plates and Set Screws for 4 spring SS Knuckle 32.6"



Bom ID	Part#	Description	qty
1	18291	Screw. 1/2" x 5/8" Set Screw	2
2	16419	Grommet. Rubber 7/8 ID x 1/8 groove for Top Mount Pivot Kits	1
3	47040	Bushing. 1 1/4 Poly T- Bushing for Pivot Pin	2