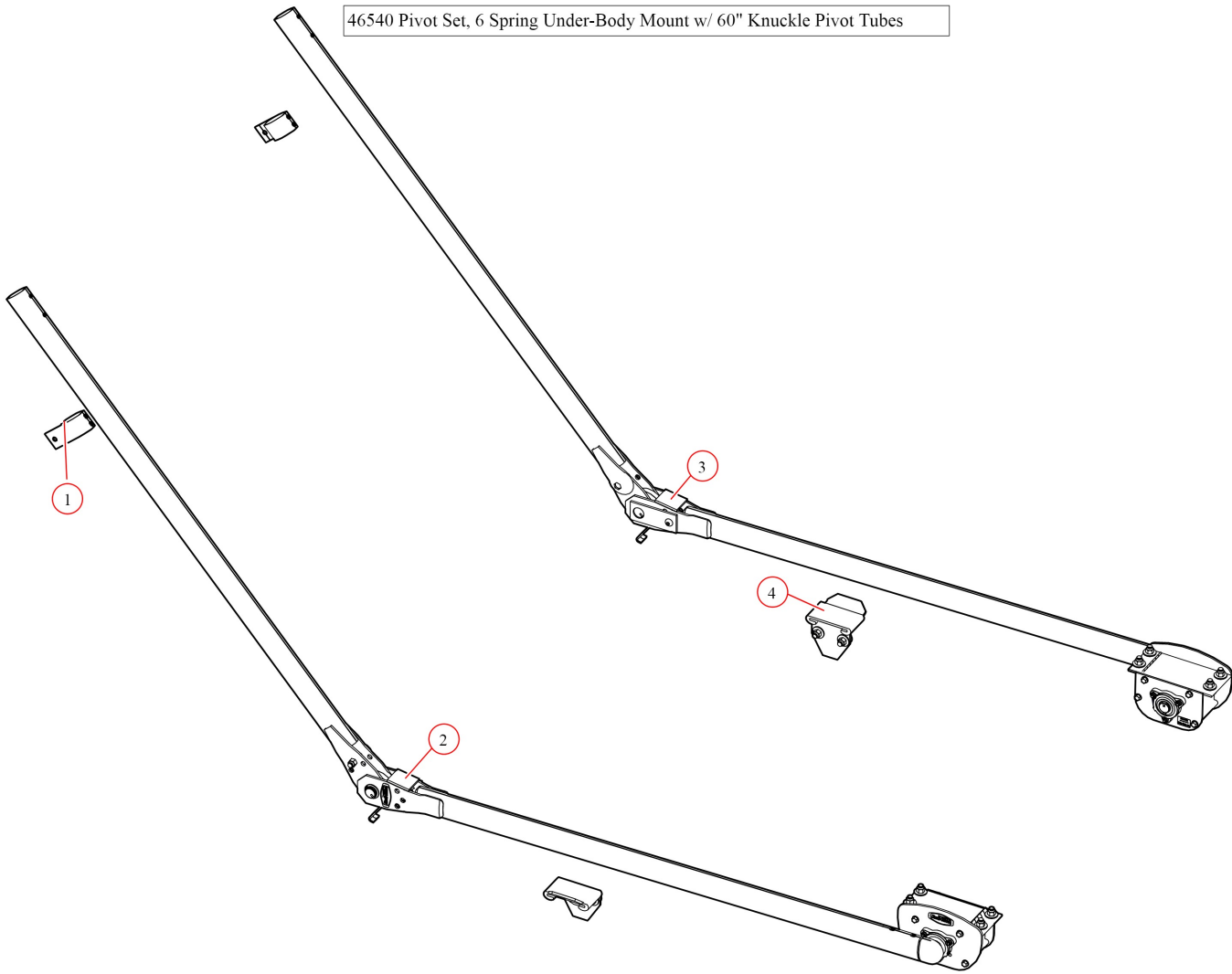




Pivot Set. 6 Spring Under-Body Mount w/ 60" Knuckle Pivot  
 Tubes

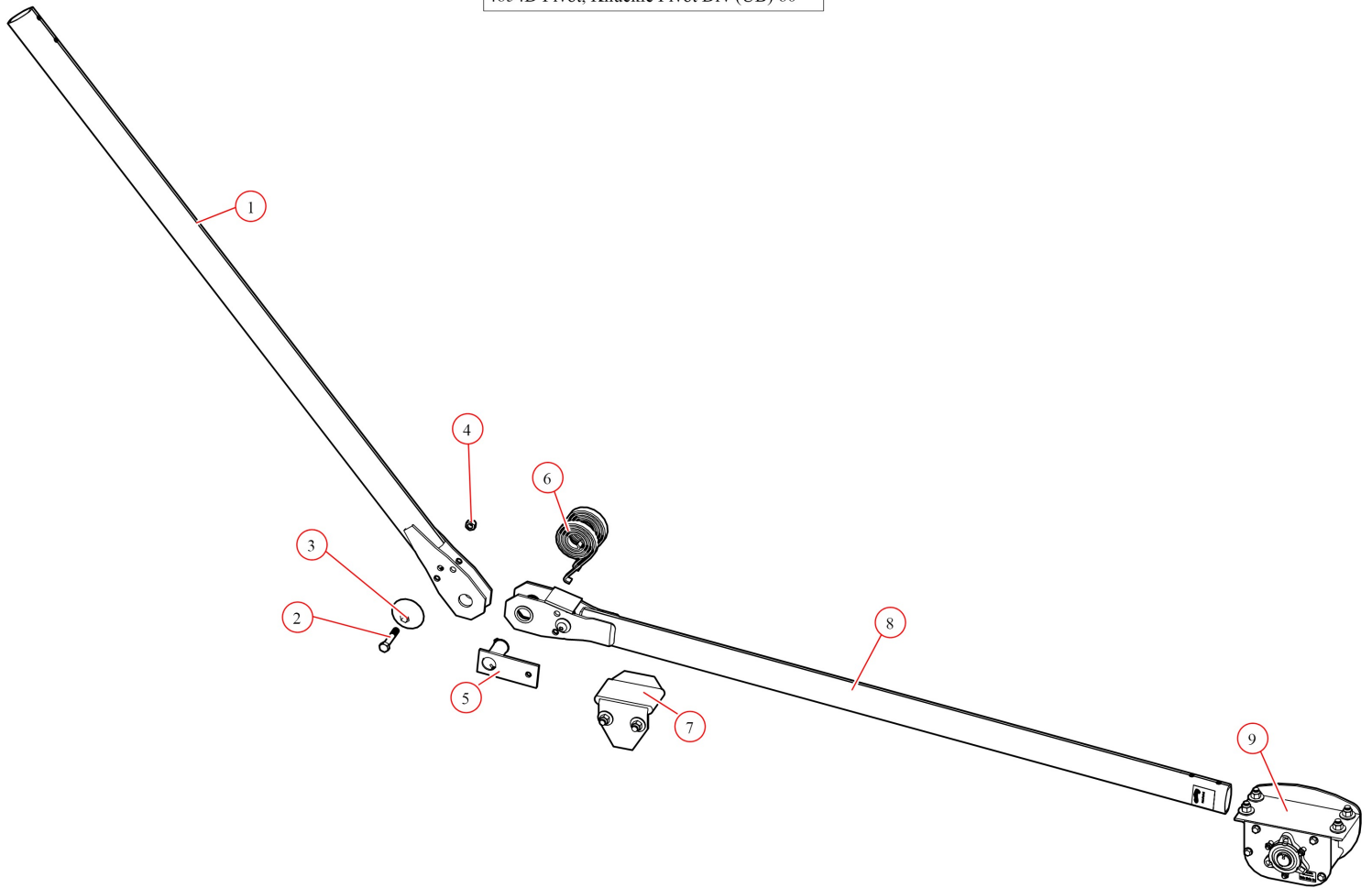
**Part Number: 46540**

46540 Pivot Set, 6 Spring Under-Body Mount w/ 60" Knuckle Pivot Tubes



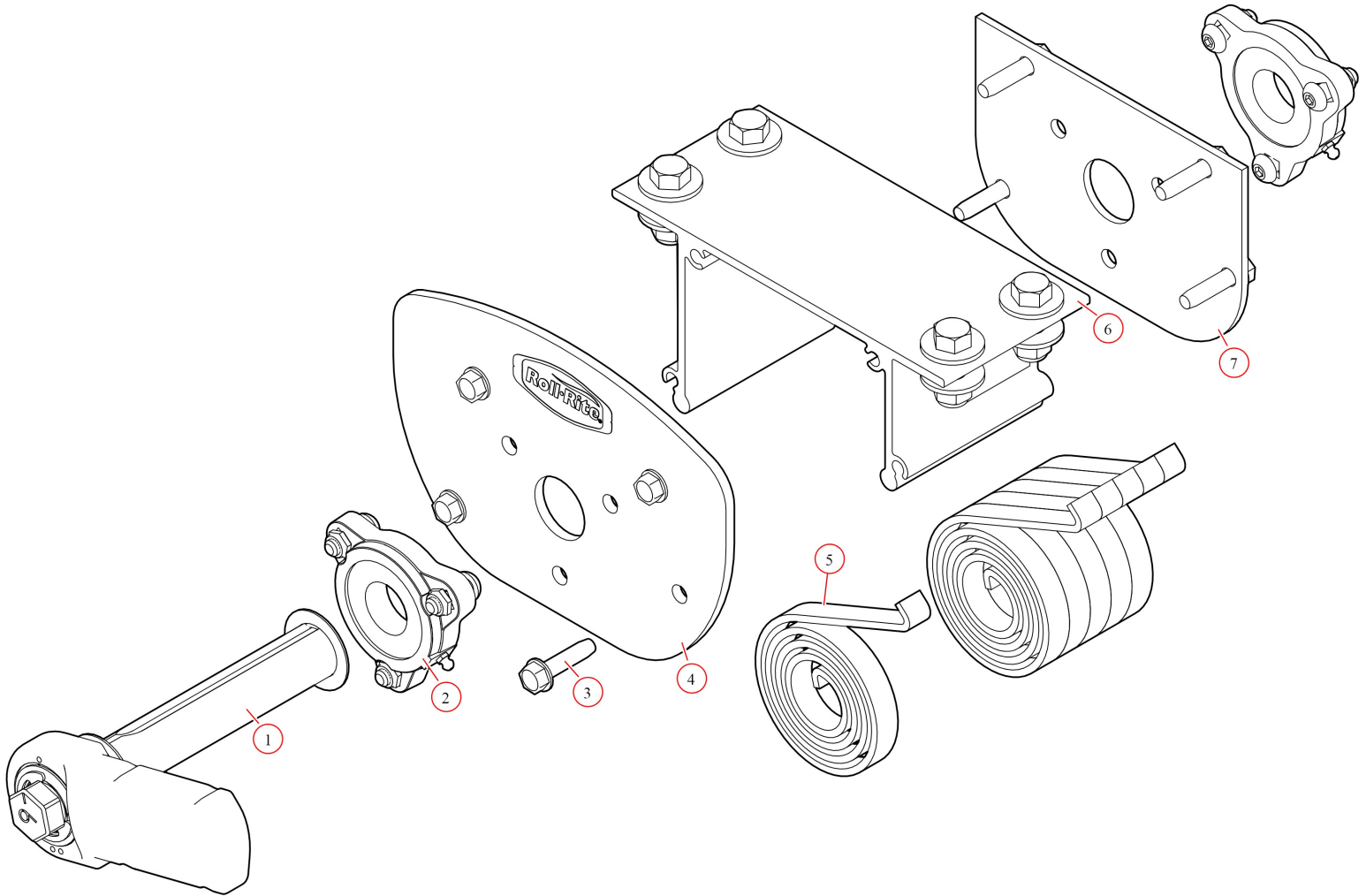
Bom ID	Part#	Description	qty
1	76831	Bracket. Pivot Arm Tie Down	2
2	4654D	Pivot. Knuckle Pivot Drv (UB) 60"	1
3	4654P	Pivot. Knuckle Pivot Pass (UB) 60"	1
4	46950	Bracket. Aluminum Stop Bracket (Pair)	1

4654D Pivot, Knuckle Pivot Drv (UB) 60"



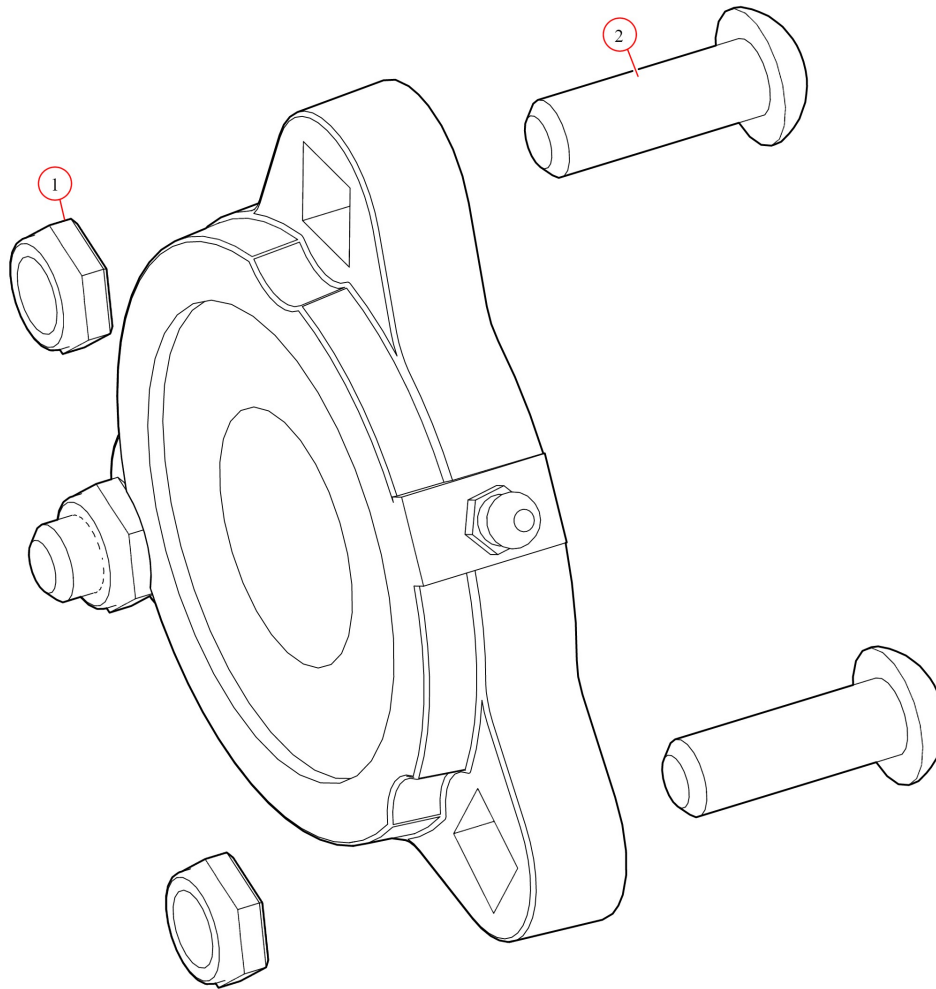
Bom ID	Part#	Description	qty
1	46520	Pivot Tube. 60" Knuckle Bow Upper (60" AL)	1
2	18297	Bolt. 1/2" x 2 3/4" Hex Head Bolt	1
3	47100	Bumper. Knuckle Bow (each)	1
4	18631	Nut. 1/2" Nylock Nut	1
5	46910	Knuckle Pin. for Pivots Driver	1
6	47230	Spring. Spiral Torsion Spring 1 1/4"	2
7	46950	Bracket. Aluminum Stop Bracket (Pair)	1
8	46510	Pivot Tube. 60" Knuckle Bow Base (60" AL)	1
9	103295	Pivot. UB Assembly 6 Spr Driver	1

103295 Pivot, UB Assembly 6 Spr Drivers



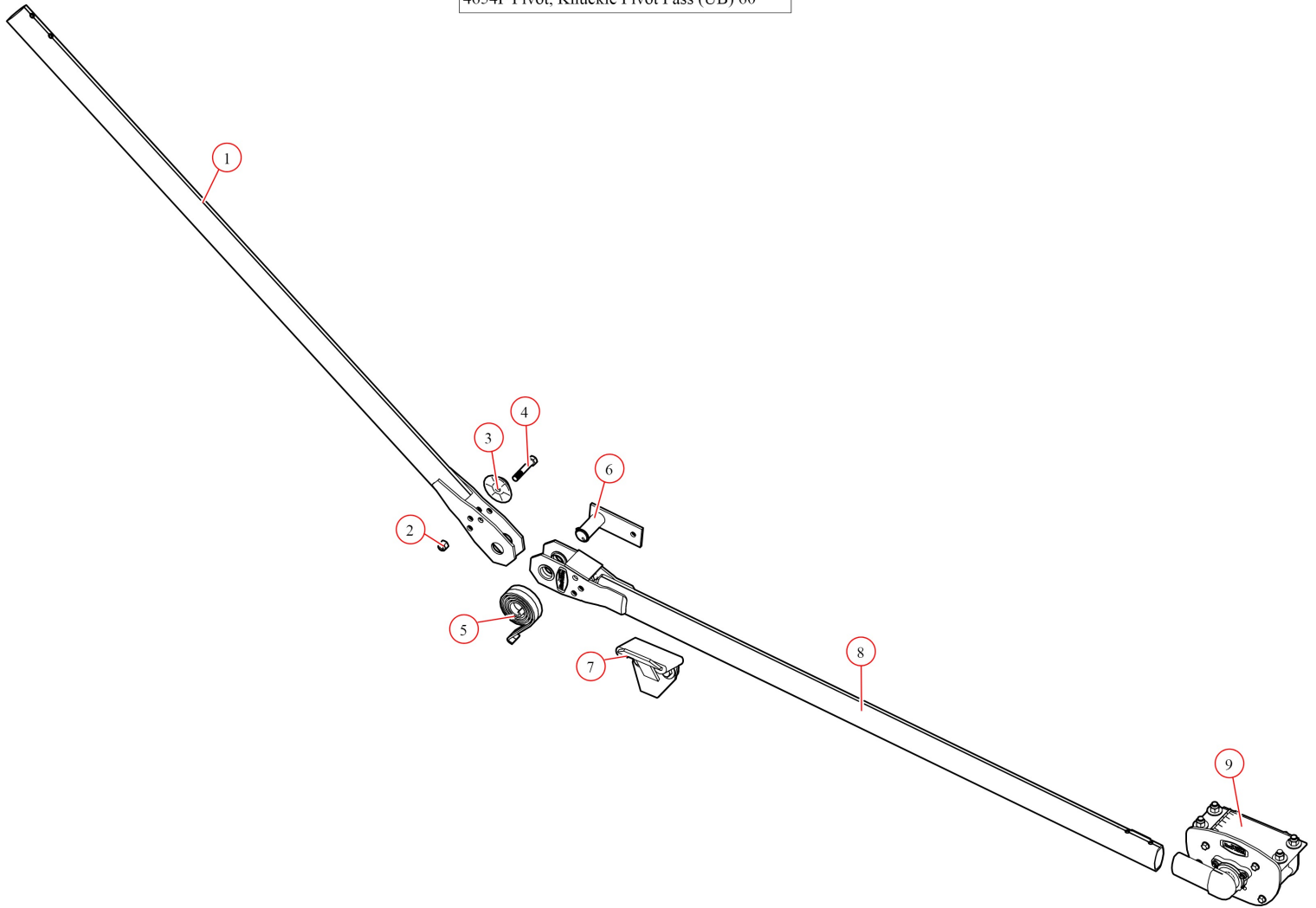
Bom ID	Part#	Description	qty
1	46360	Pivot Pin. for 5 & 6 Spring Roller Bearing - Drivers Side	1
2	47800	Bearing. Carrier Underbody Flanged	2
3	18120	Bolt. 3/8" x 1-1/2" Thread Cutting Screw Hex Washer Hd	8
4	102349	Plate. Al Front for Ext Bolt Flange Mount UB Box	1
5	47230	Spring. Spiral Torsion Spring 1 1/4"	6
6	102509	Bracket. Ext Body with holes for 6 Spr UB Box	1
7	102259	Plate. Al Back for Ext Bolt Flange Mount UB Box	1

47800 Bearing, Carrier Underbody Flanged



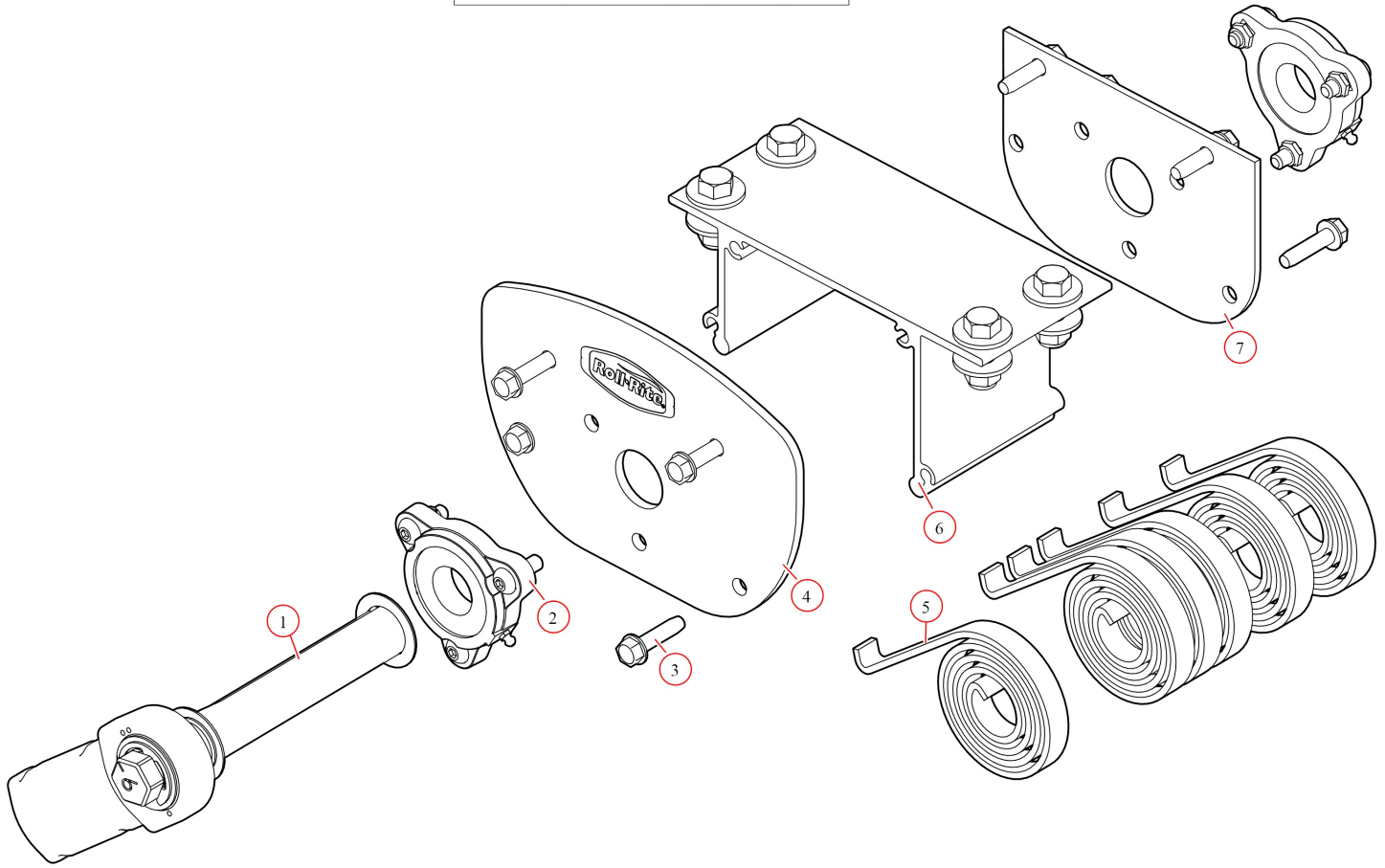
Bom ID	Part#	Description	qty
1	18628	Nut. Nylock nut 3/8" Jamb Nut	2
2	18242	Bolt. 3/8"-16 x 1 1/8" Button Head	2

4654P Pivot, Knuckle Pivot Pass (UB) 60"



Bom ID	Part#	Description	qty
1	46520	Pivot Tube. 60" Knuckle Bow Upper (60" AL)	1
2	18631	Nut. 1/2" Nylock Nut	1
3	47100	Bumper. Knuckle Bow (each)	1
4	18297	Bolt. 1/2" x 2 3/4" Hex Head Bolt	1
5	47230	Spring. Spiral Torsion Spring 1 1/4"	2
6	46920	Knuckle Pin. for Pivots Passenger	1
7	46950	Bracket. Aluminum Stop Bracket (Pair)	1
8	46510	Pivot Tube. 60" Knuckle Bow Base (60" AL)	1
9	103296	Pivot. UB Assembly 6 Spr Passenger	1

103296 Pivot, UB Assembly 6 Spr Passenger



Bom ID	Part#	Description	qty
1	46370	Pivot Pin. for 5 & 6-Spring Roller Bearing - Passenger	1
2	47800	Bearing. Carrier Underbody Flanged	2
3	18120	Bolt. 3/8" x 1-1/2" Thread Cutting Screw Hex Washer Hd	8
4	102349	Plate. Al Front for Ext Bolt Flange Mount UB Box	1
5	47230	Spring. Spiral Torsion Spring 1 1/4"	6
6	102509	Bracket. Ext Body with holes for 6 Spr UB Box	1
7	102259	Plate. Al Back for Ext Bolt Flange Mount UB Box	1