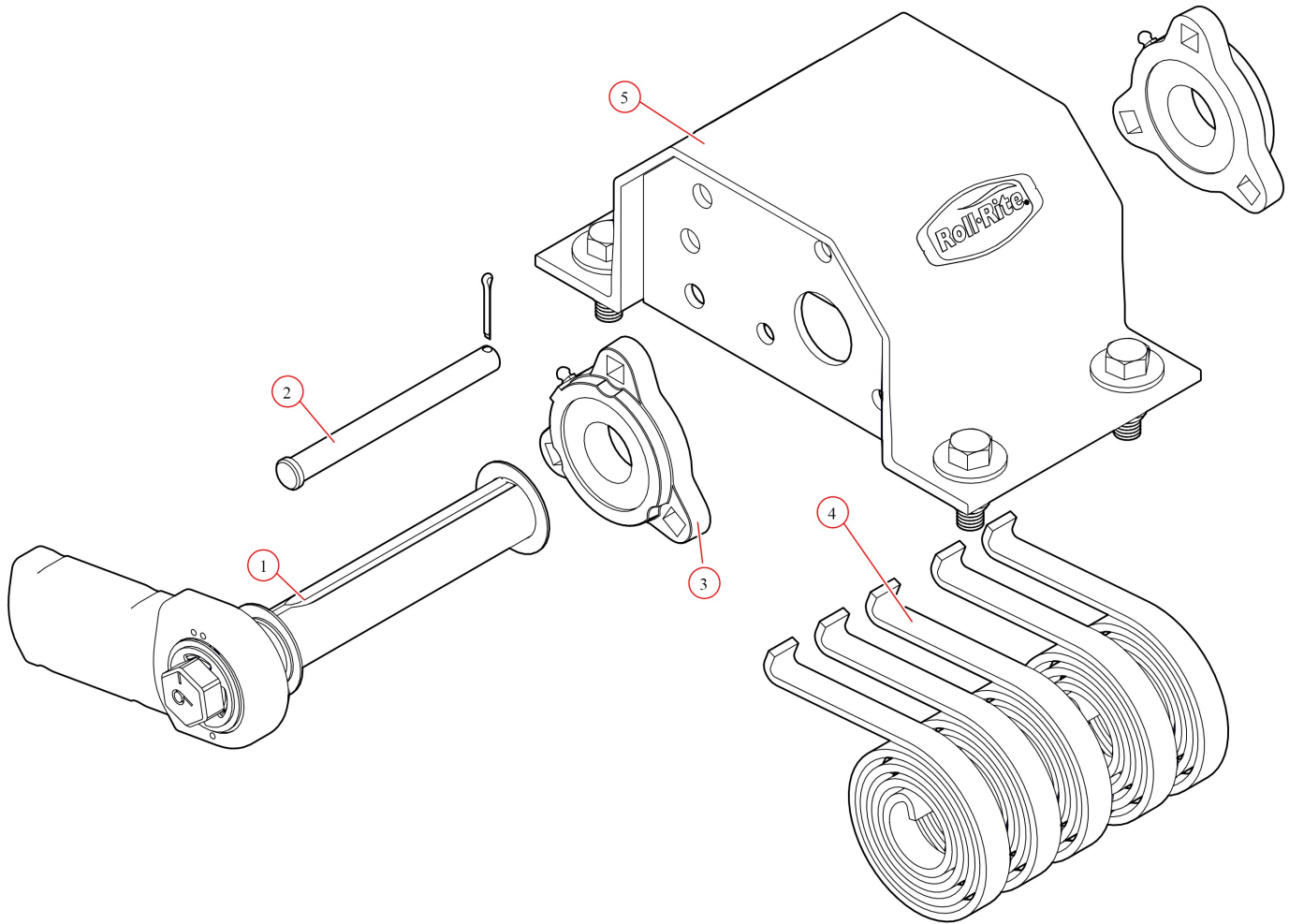


Pivot. Assembly 5 Spring Top Mount Pivot w/out Tube -  
Passenger Side

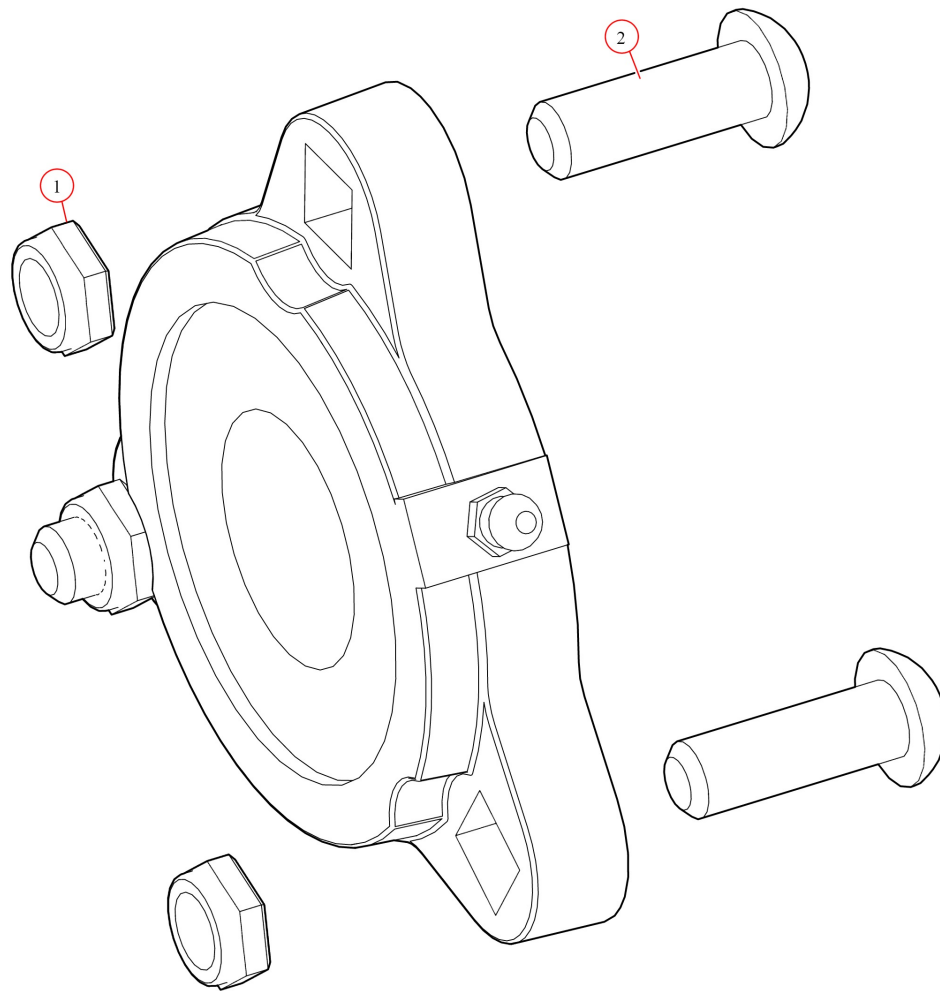
**Part Number: 46500**

46500 Pivot, 5-spring, Top mnt pvt w/o Tube-Passenger



Bom ID	Part#	Description	qty
1	46370	Pivot Pin. for 5 & 6-Spring Roller Bearing - Passenger	1
2	18540	Pin. 1/2" x 5-1/4" Clevis	1
3	47800	Bearing. Carrier Underbody Flanged	2
4	47230	Spring. Spiral Torsion Spring 1 1/4"	5
5	46400	Bracket. for 6-Spring Top Mount Pivots-each	1

47800 Bearing, Carrier Underbody Flanged



Bom ID	Part#	Description	qty
1	18628	Nut. Nylock nut 3/8" Jamb Nut	2
2	18242	Bolt. 3/8"-16 x 1 1/8" Button Head	2