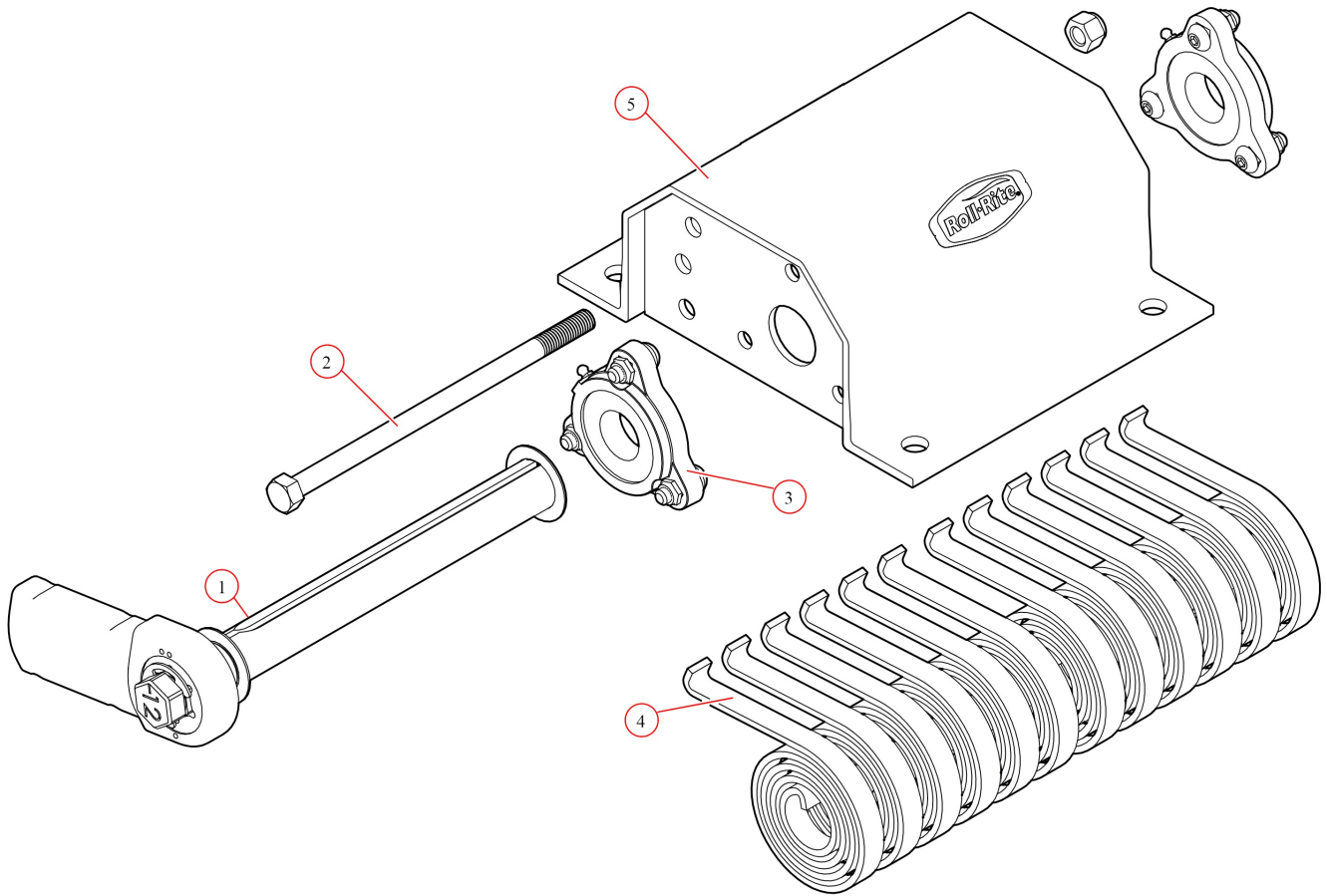


[Pivot. Assembly 12-Spr Top Mnt w/o tube-Pass](#)

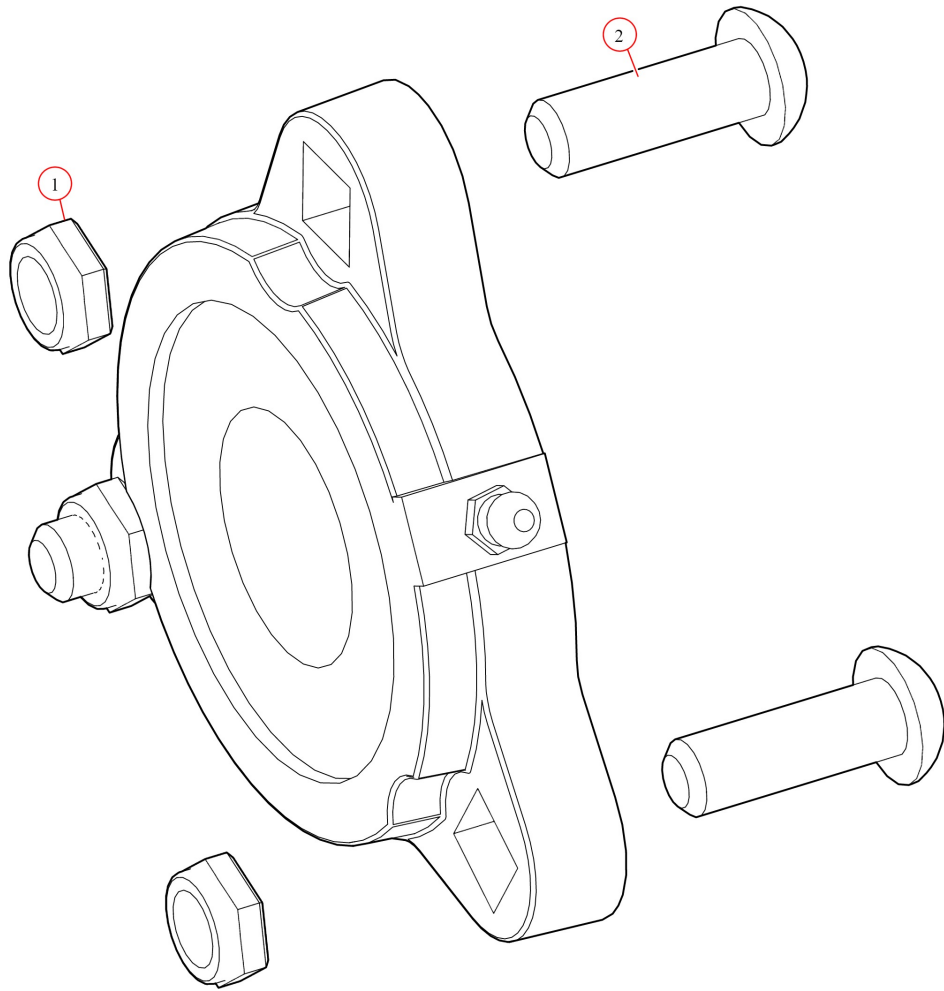
Part Number: 46465

46465 Pivot, Assembled 12-Spr Top Mnt w/o tube-Pass



Bom ID	Part#	Description	qty
1	46403	Pivot Pin. for 12 Spring Roller Bearing Pivot-Pass	1
2	18301	Bolt. 1/2" -13x9 1/2 Zinc Hex Head Bolt	1
3	47800	Bearing. Carrier Underbody Flanged	2
4	47230	Spring. Spiral Torsion Spring 1 1/4"	12
5	46405	Pivot Box. Bracket for 12-Spring Top Mount Pivots-each	1

47800 Bearing, Carrier Underbody Flanged



Bom ID	Part#	Description	qty
1	18628	Nut. Nylock nut 3/8" Jamb Nut	2
2	18242	Bolt. 3/8"-16 x 1 1/8" Button Head	2