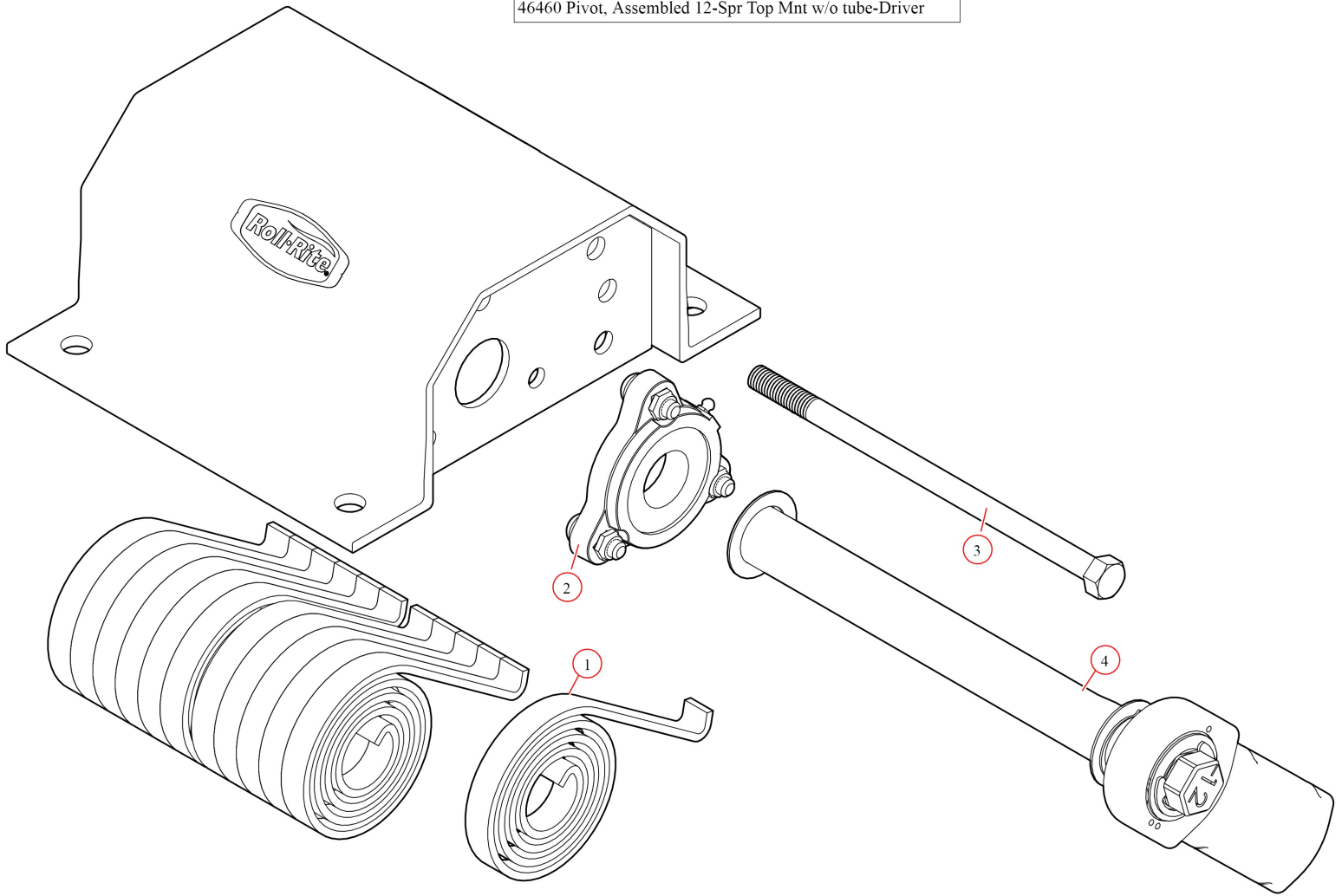


[Pivot Assembly. 12 Spring Top Mount w/out Tube - Drivers Side](#)

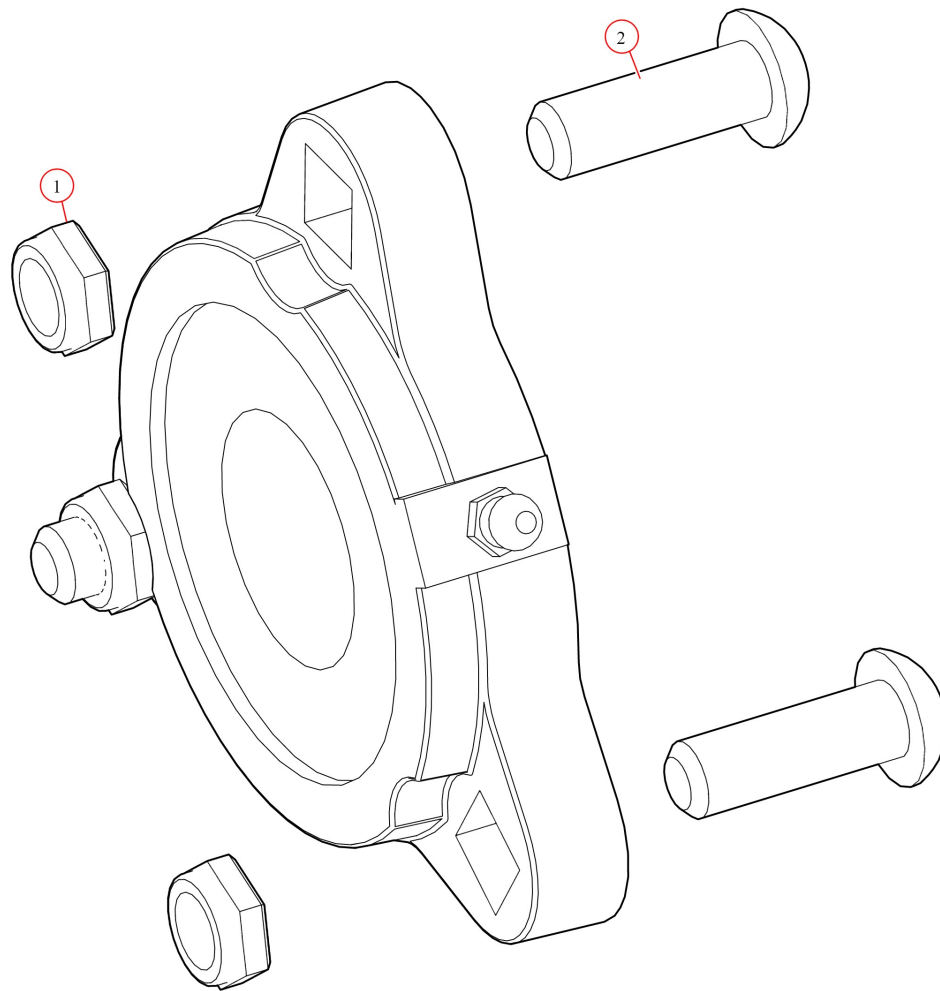
**Part Number: 46460**

46460 Pivot, Assembled 12-Spr Top Mnt w/o tube-Driver



Bom ID	Part#	Description	qty
1	47230	Spring. Spiral Torsion Spring 1 1/4"	12
2	47800	Bearing. Carrier Underbody Flanged	2
3	18301	Bolt. 1/2" -13x9 1/2 Zinc Hex Head Bolt	1
4	46402	Pivot Pin. for 12 Spring Roller Bearing Pivot-DRV	1

47800 Bearing, Carrier Underbody Flanged



Bom ID	Part#	Description	qty
1	18628	Nut. Nylock nut 3/8" Jamb Nut	2
2	18242	Bolt. 3/8"-16 x 1 1/8" Button Head	2