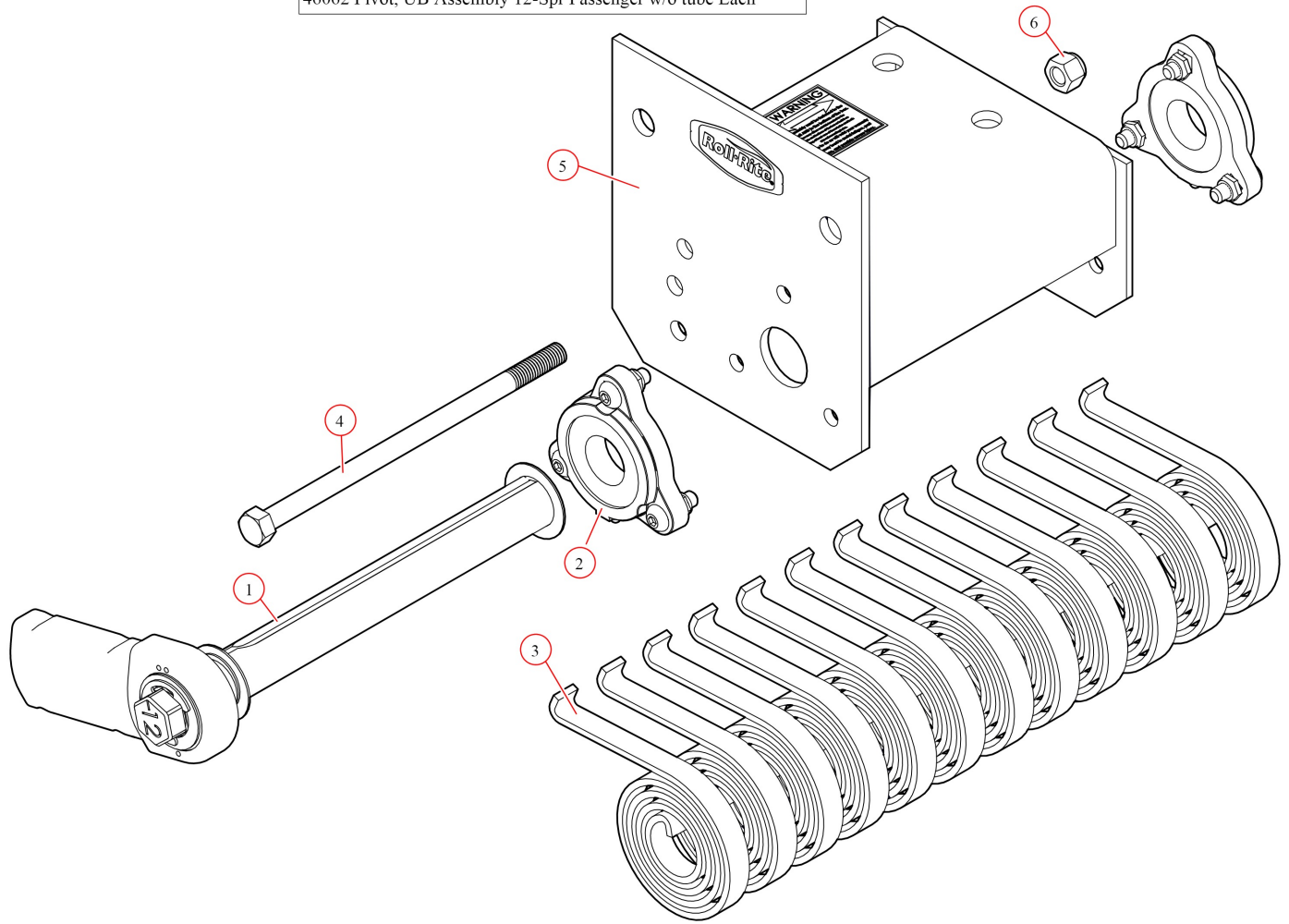
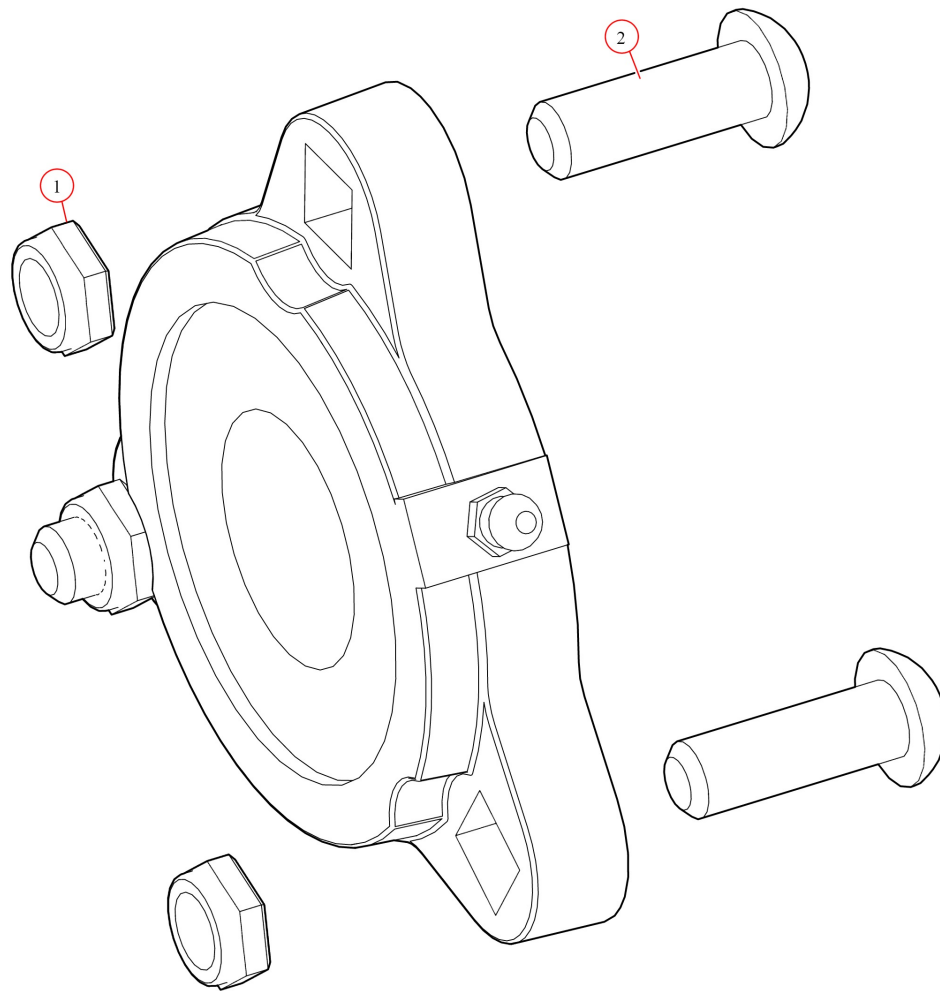


46062 Pivot, UB Assembly 12-Spr Passenger w/o tube Each



Bom ID	Part#	Description	qty
1	46403	Pivot Pin. for 12 Spring Roller Bearing Pivot-Pass	1
2	47800	Bearing. Carrier Underbody Flanged	2
3	47230	Spring. Spiral Torsion Spring 1 1/4"	12
4	18301	Bolt. 1/2" -13x9 1/2 Zinc Hex Head Bolt	1
5	46014	Bracket. Aluminum 12UB. Passenger	1
6	18631	Nut. 1/2" Nylock Nut	1

47800 Bearing, Carrier Underbody Flanged



Bom ID	Part#	Description	qty
1	18628	Nut. Nylock nut 3/8" Jamb Nut	2
2	18242	Bolt. 3/8"-16 x 1 1/8" Button Head	2