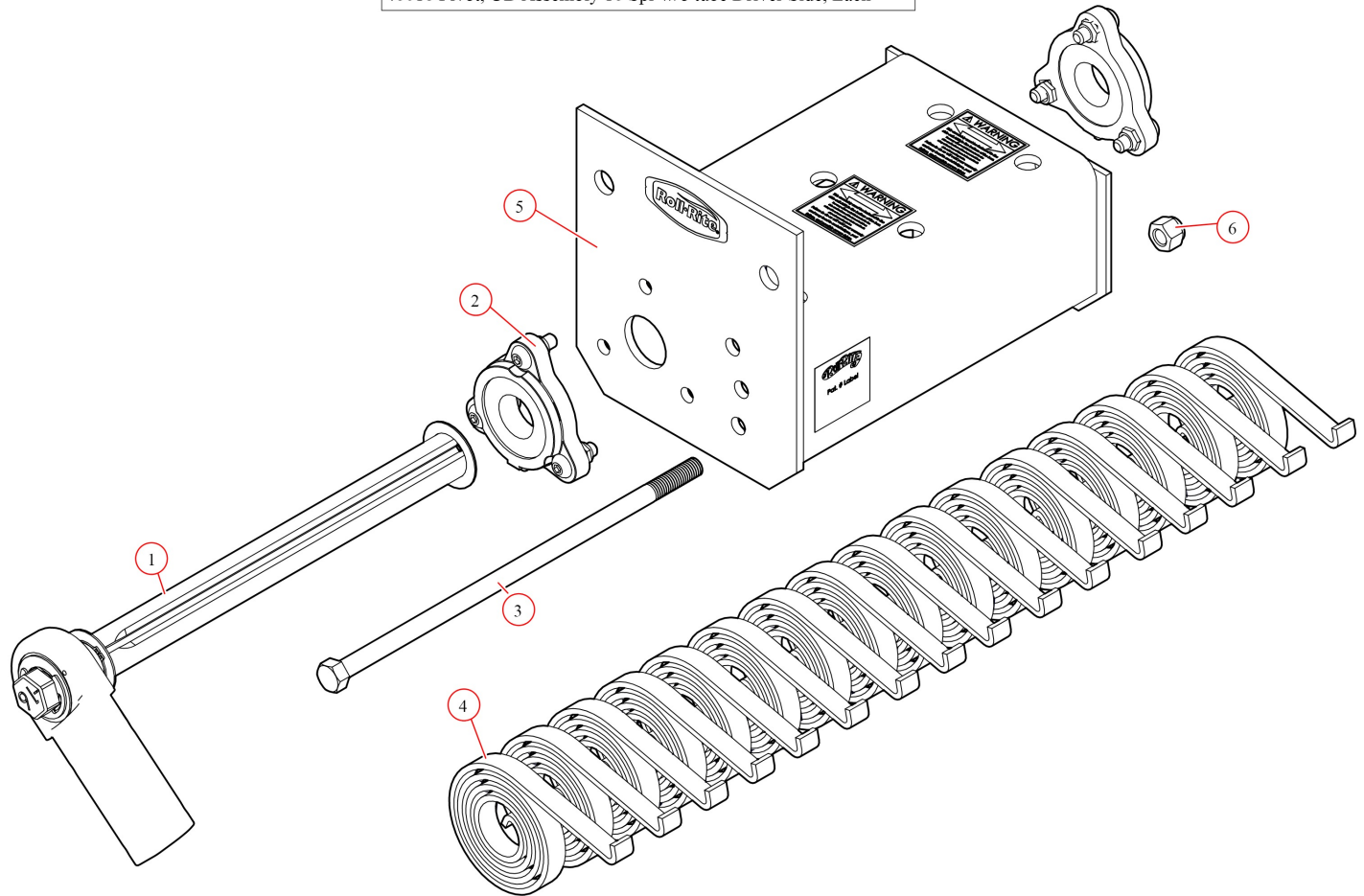




Pivot. UB Assembly 16 Spring w/out Tube - Drivers Side (Old Style)

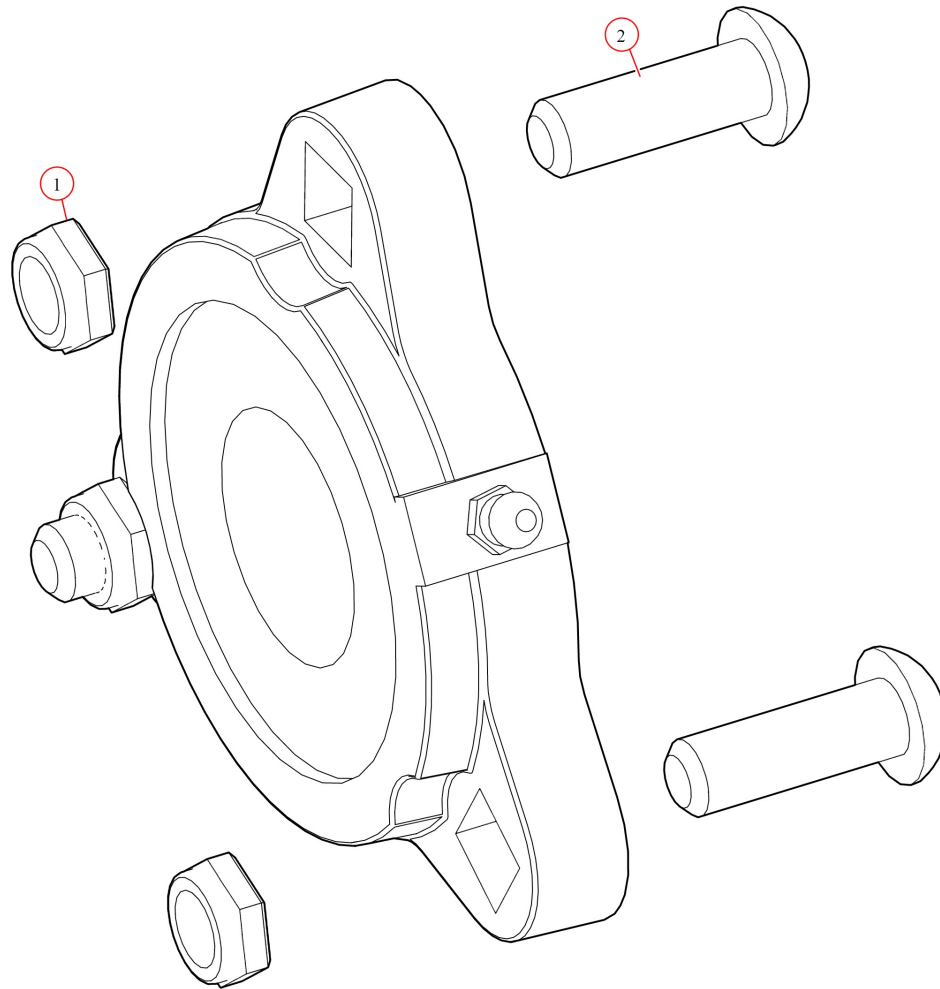
Part Number: 46018

46018 Pivot, UB Assembly 16 Spr w/o tube Driver Side, Each



Bom ID	Part#	Description	qty
1	46407	Pivot Pin. for 16 Spring Roller Bearing Pivot- Driver	1
2	47800	Bearing. Carrier Underbody Flanged	2
3	18575	Bolt. Bolt for Pin. 1/2" x 13 Zinc Hex Head Grade 5 - 16 spring box	1
4	47230	Spring. Spiral Torsion Spring 1 1/4"	16
5	46016	Bracket. Aluminum 16 Spring UB Driver	1
6	18631	Nut. 1/2" Nylock Nut	1

47800 Bearing, Carrier Underbody Flanged



Bom ID	Part#	Description	qty
1	18628	Nut. Nylock nut 3/8" Jamb Nut	2
2	18242	Bolt. 3/8"-16 x 1 1/8" Button Head	2