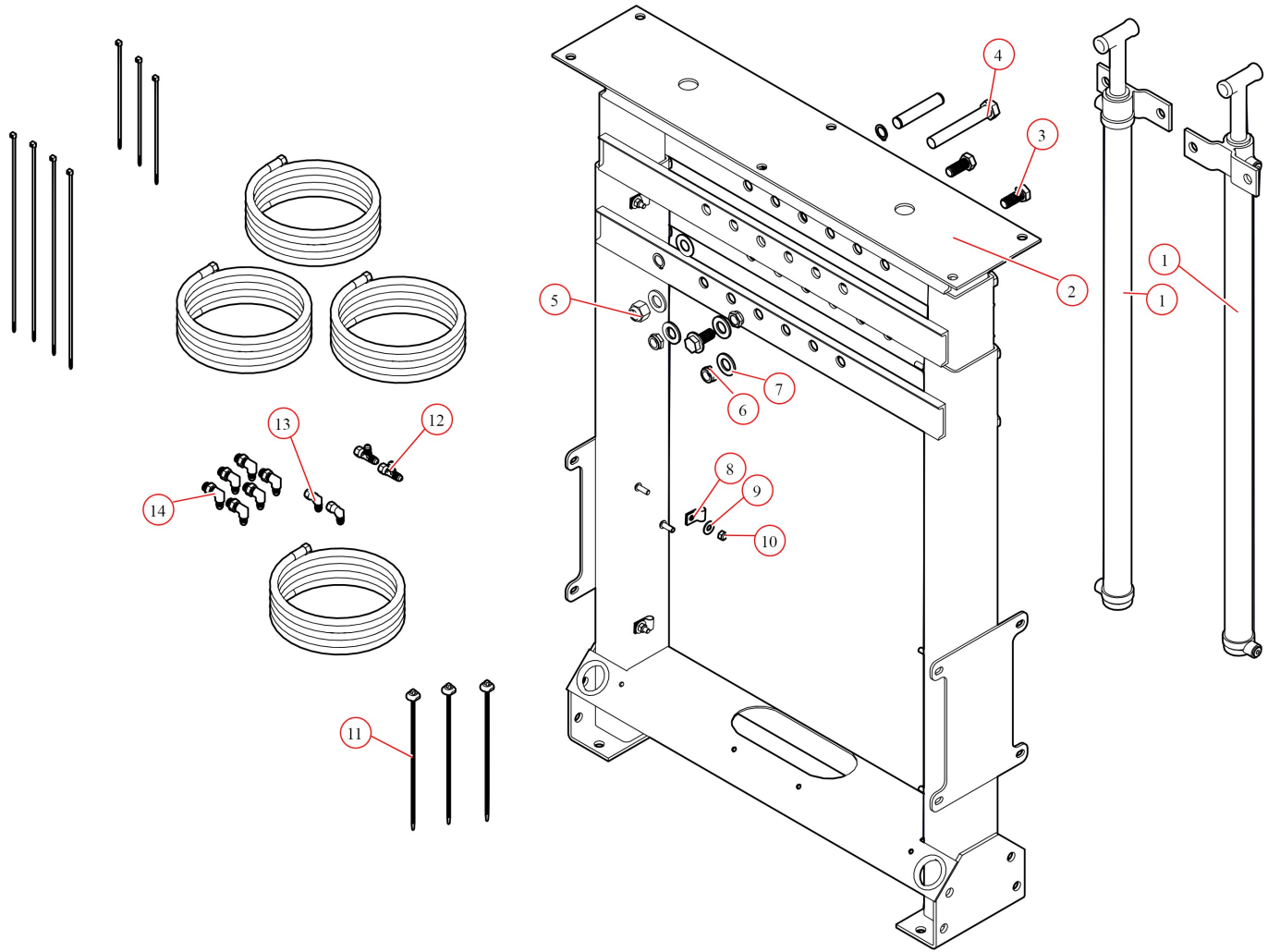


[Tower. Dual Stage Steel Tower w/Hydraulic. Cylinder for
Integrated Housing](#)

Part Number: 39005

39005 Tower, Dual Stage Adjustable Tower w/Hydraulic Cylinder - Integrated Housing



Bom ID	Part#	Description	qty
1	39520	Cylinder. 1.5" Bore x 36" Stroke DA. Single Flange Mount	2
2	101472	Tower. 2 Stage Tower for Int Housing - Stationary Dual stage	1
3	18710	Bolt. 5/8" x 1 1/2" Bolt Zinc	3
4	18721	Bolt. 3/4" x 5" Hex Head	1
5	18640	Nut. 3/4" Nylock Nut	1
6	18716	Nut. 5/8" Nylock Jamb Nut Zinc	3
7	18734	Washer. 3/4 Zinc SAE Washer	4
8	16345	Clamp. 1/2" Rubber Coated	1
9	18400	Washer. 5/16" USS Flat Zinc	3
10	18613	Nut. 5/16" Nylock Nut	3
11	39314	Adapter. Tee #4 Male Tube to #4 Female Swivel to #4 male Tube	2
12	39297	Adapter. 90 #4 Male tube to #4 37° female swivel	2

13	39098	Adapter. 90 #4 Male Tube to #6 Adj Male Oring	6
----	-------	---	---