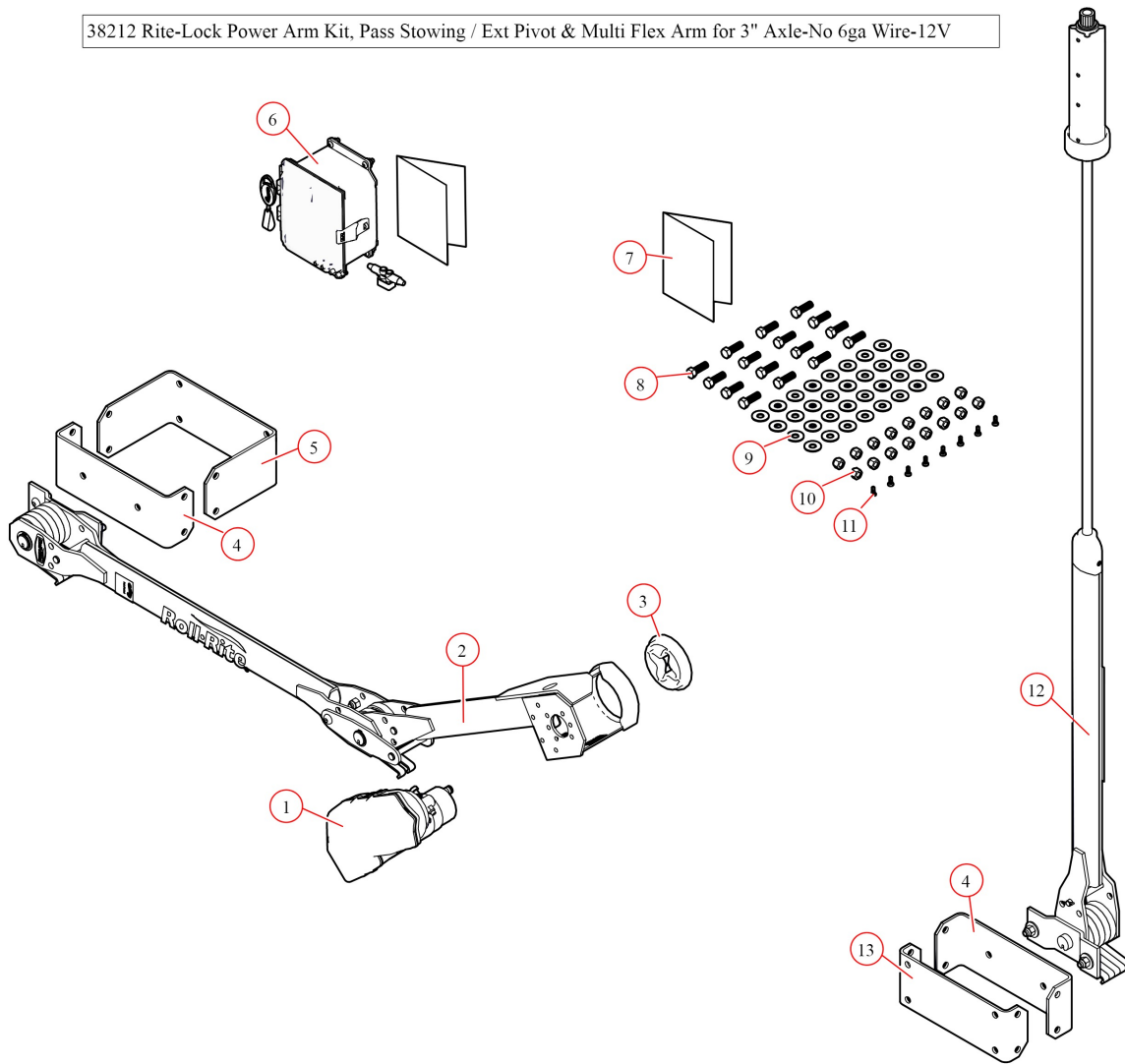


Rite-Lock Power Arm Kit. Pass Stowing / Ext Pivot & Multi Flex

Arm for 3" Axle-No 6ga Wire-12V TS

Part Number: 38212

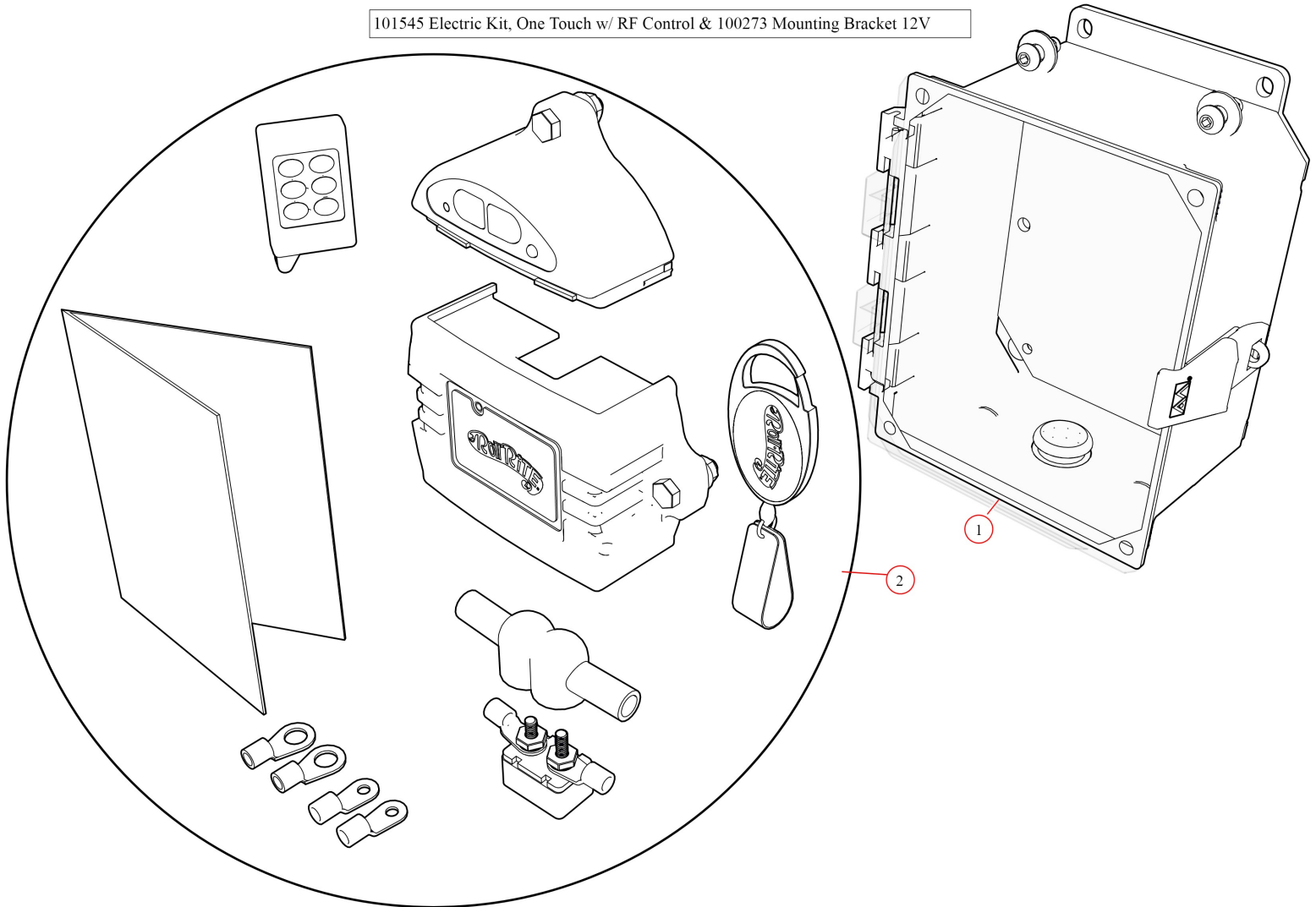
38212 Rite-Lock Power Arm Kit, Pass Stowing / Ext Pivot & Multi Flex Arm for 3" Axle-No 6ga Wire-12V



| Bom ID | Part# | Description | qty |
|--------|--------|--|-----|
| 1 | 10200 | TarpStretcher Motor 12V. 5 Year Warranty :S/N: | 1 |
| 2 | 46812 | Pivot. Assembled Front Arm W 29.25" Lower & 16.1875" Upper For ... | 1 |
| 3 | 37570 | Bushing. Axle Stabilizer for Standard Axle | 1 |
| 4 | 47278 | Bracket. Outer Mounting Bracket for Multiflex | 2 |
| 5 | 47279 | Bracket. Inner Mounting Bracket for Ext Pivot on End dump | 1 |
| 6 | 101545 | Electric Kit. One Touch w/ RF Control & Poly Enclosure 12V | 1 |
| 7 | 101203 | Instructions. Side to Side Conversion Kit | 1 |
| 8 | 18296 | Bolt. 1/2" x 1 1/2" Hex Head Bolt | 16 |
| 9 | 18412 | Washer. 1/2" Flat Zinc | 32 |
| 10 | 18631 | Nut. 1/2" Nylock Nut | 16 |
| 11 | 18140 | Screw. 1/4" x 3/4" Pan Phillips self Drilling | 8 |
| 12 | 46506 | Pivot Assembly. Multi-Flex Rear Arm for Pass Stowing System w/3" ... | 1 |

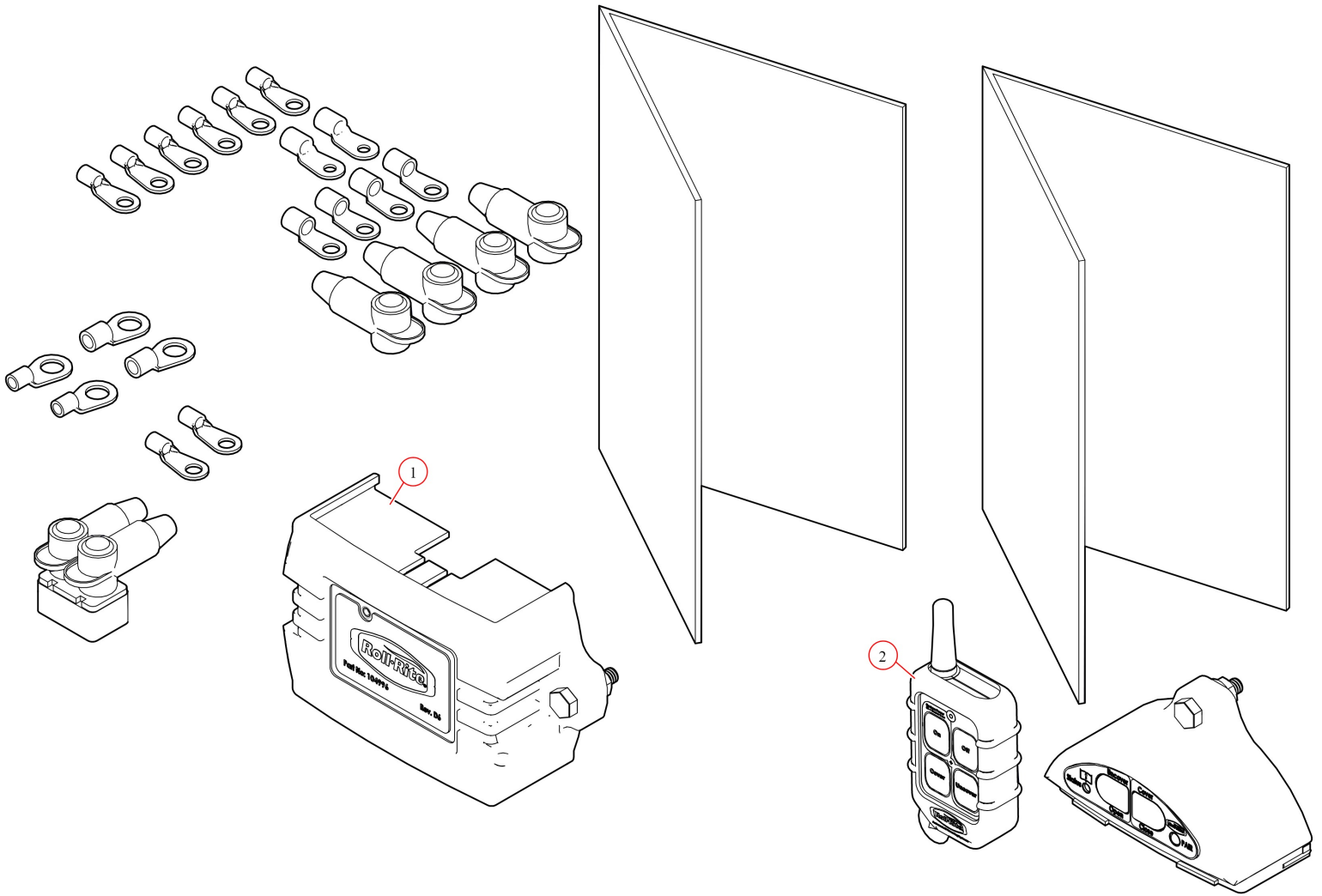
| | | | |
|----|-------|---|---|
| 13 | 47277 | Bracket. Inner Mounting Bracket for Multiflex | 1 |
|----|-------|---|---|

101545 Electric Kit, One Touch w/ RF Control & 100273 Mounting Bracket 12V



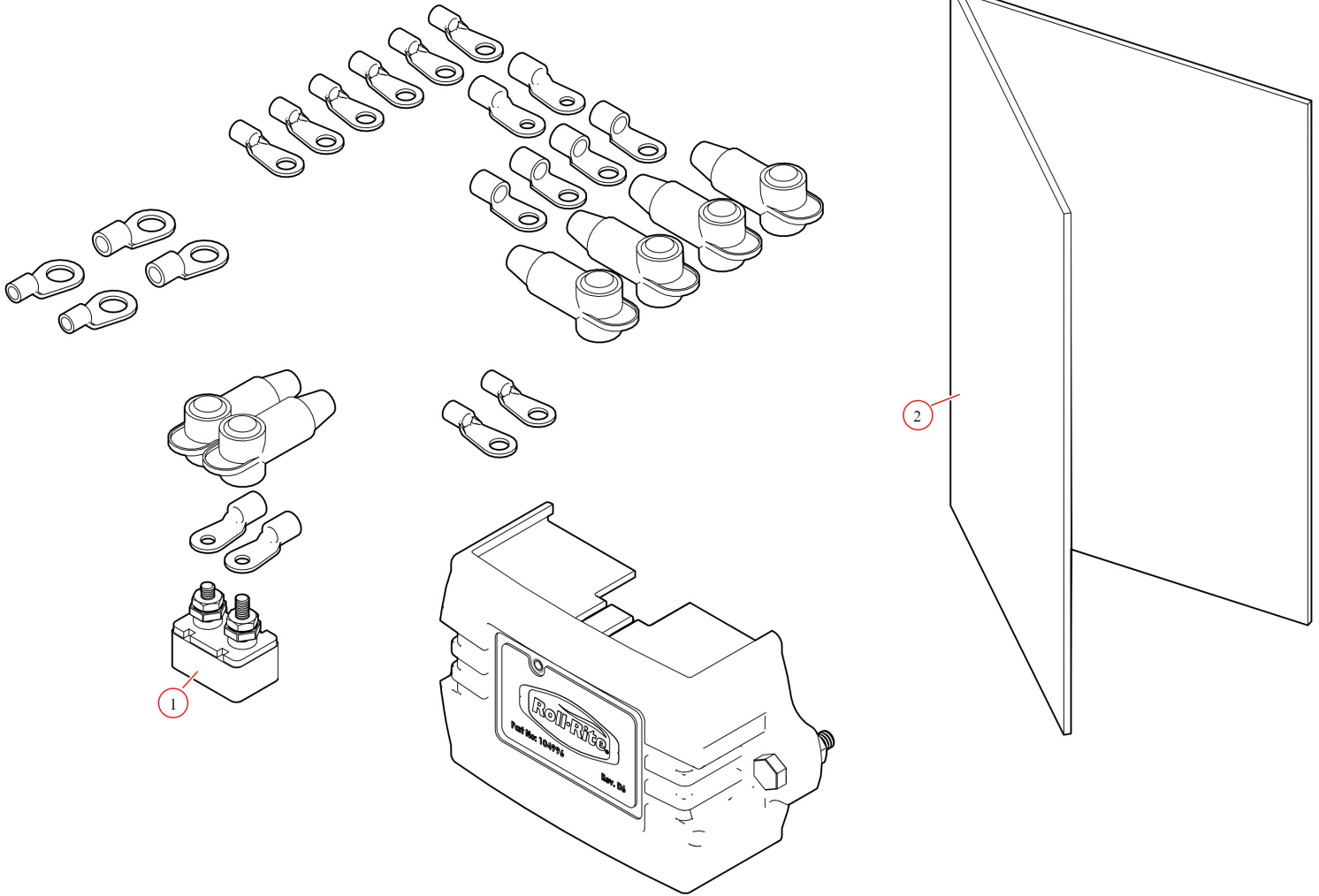
| Bom ID | Part# | Description | qty |
|--------|--------|---|-----|
| 1 | 103641 | Enclosure. Poly Box with Controller Mounting Plate | 1 |
| 2 | 101263 | Electric Kit. Gen1+ Solid State Motor Control 12V SWD6 w/ 4 Button... | 1 |

101263 Electric Kit, Gen1+ Solid State Motor Control 12V SWD6 with RF



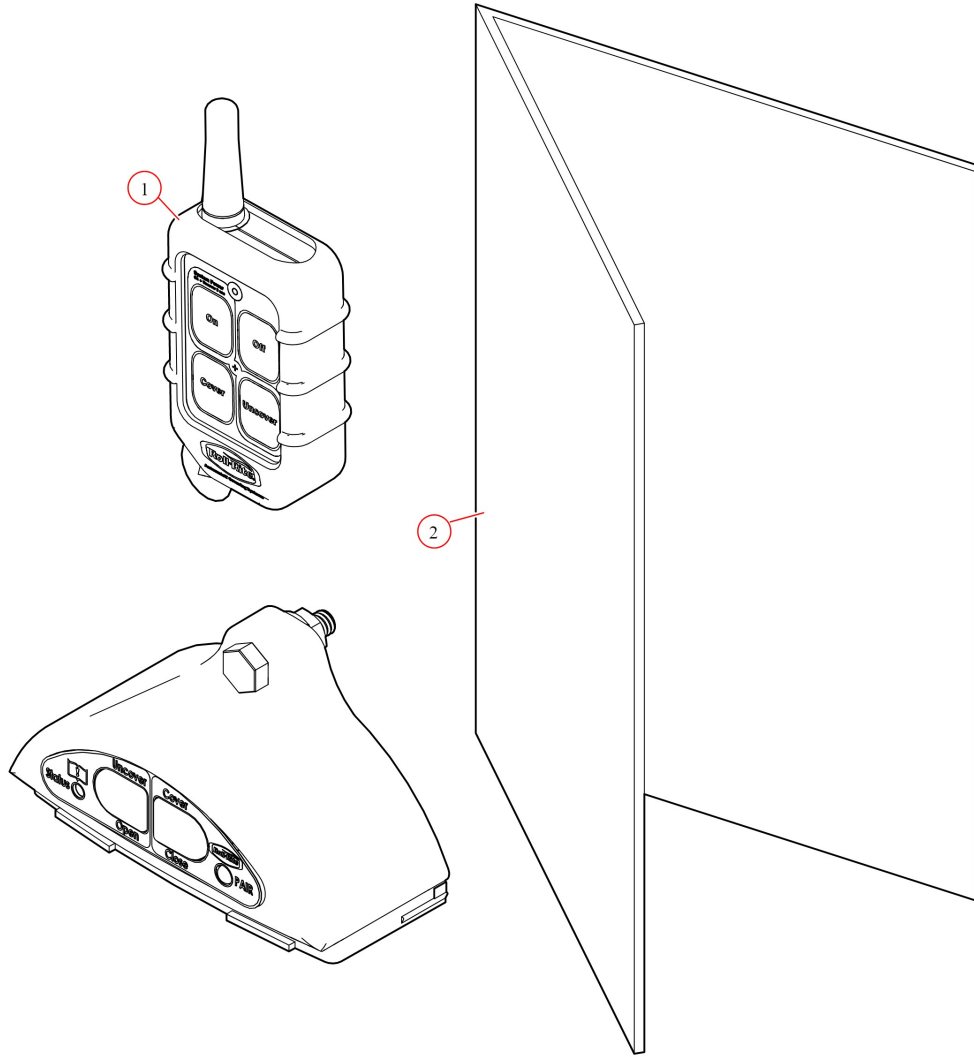
| Bom ID | Part# | Description | qty |
|--------|--------|--|-----|
| 1 | 105446 | Relay Kit. Gen1+ SS Motor Control 12V SWD6 | 1 |
| 2 | 11094 | RF Switch System. 902-928MHz. w/4 Button Fob & Boot. for Gen1+ ... | 1 |

105446 Electric Kit, Gen1+ SS Motor Control 12V SWD6



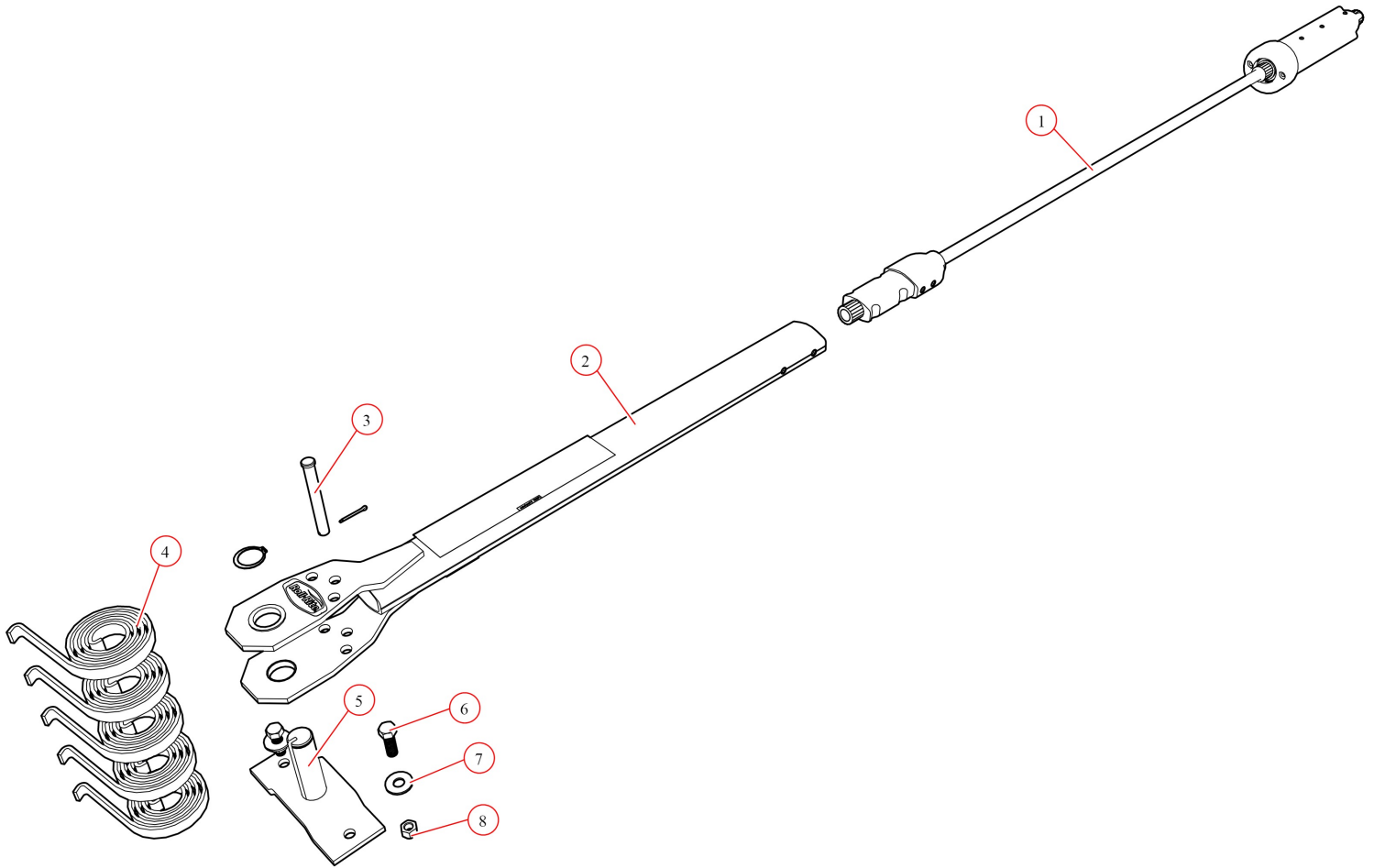
| Bom ID | Part# | Description | qty |
|--------|--------|---|-----|
| 1 | 101259 | Breaker. 50 Amp Manual Reset Circuit Breaker for Rite Touch | 1 |
| 2 | 105568 | Instructions. Switch Wiring | 1 |

11094 RFSwitchSystem, 902-928MHz, Gen1+ TarpMotor Relay



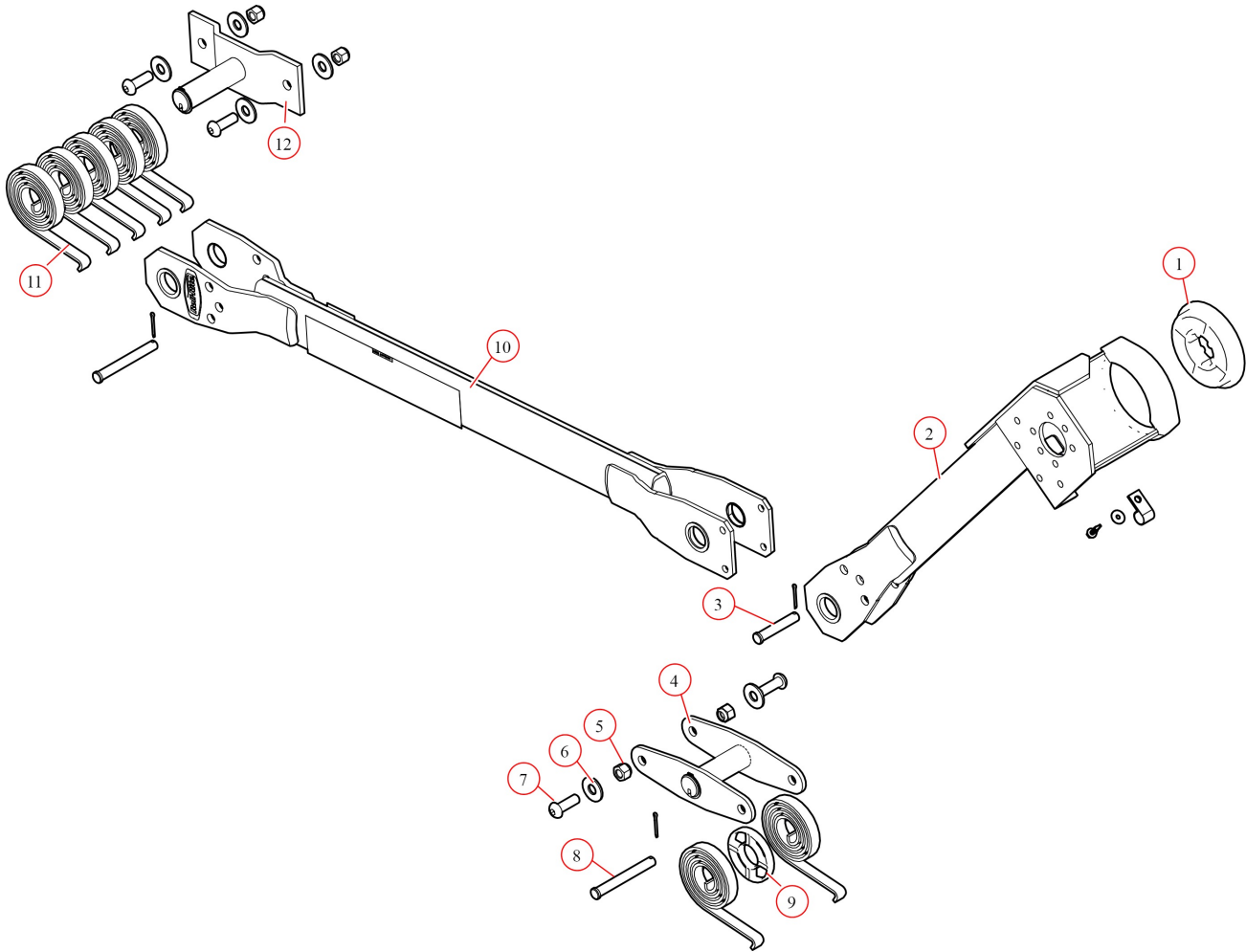
| Bom ID | Part# | Description | qty |
|--------|-------|---|-----|
| 1 | 19894 | RF Remote FOB. 902-928MHz.4 Button w/ Boot. for Gen1+ Relay | 1 |

46506 Pivot, Assembly Rear Arm for Pass Stowing Sys w/3" Axle



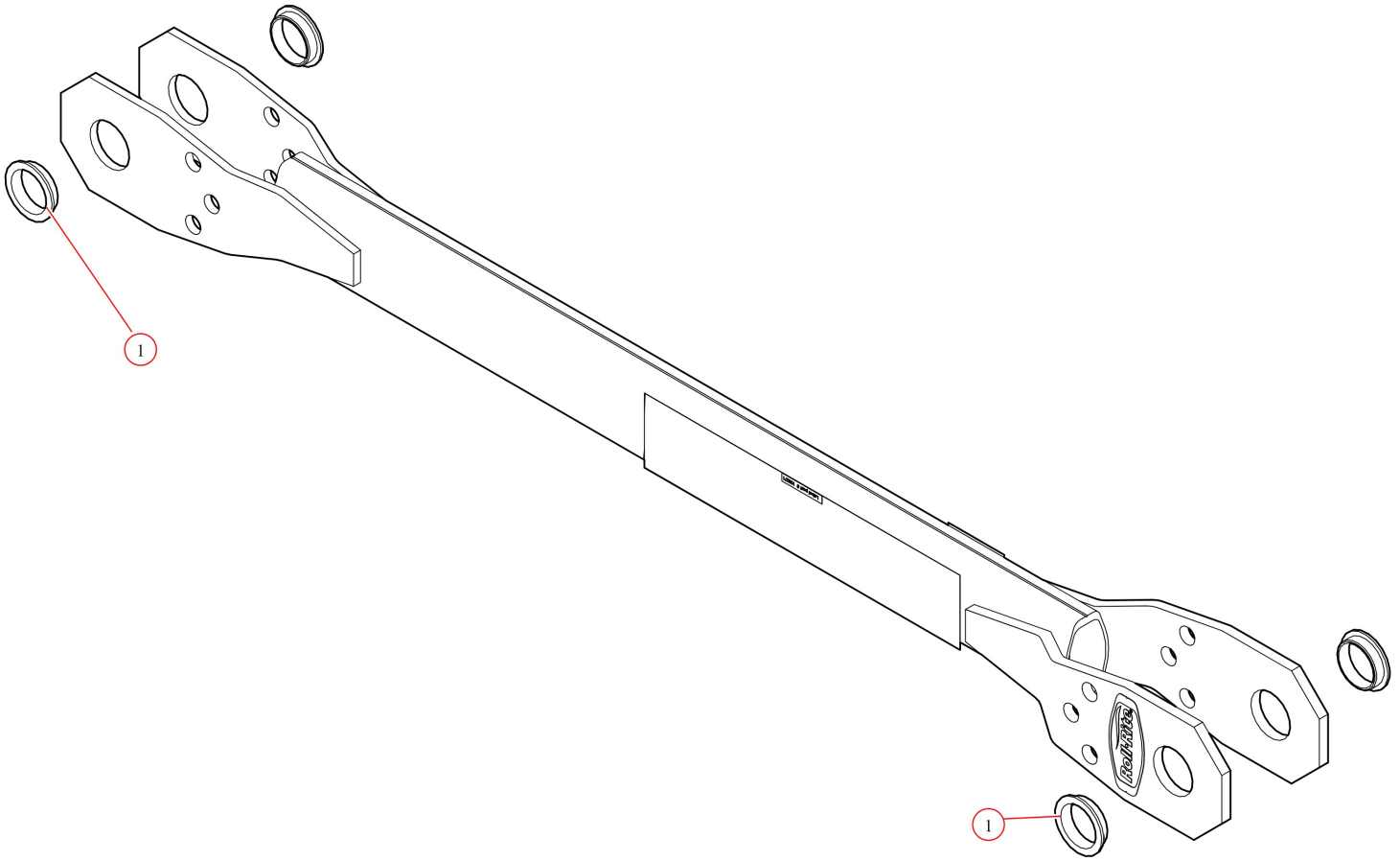
| Bom ID | Part# | Description | qty |
|--------|-------|---|-----|
| 1 | 46516 | Pivot. Cable Assembly 3" Axle Rear Flex Arm | 1 |
| 2 | 48450 | Pivot Tube. Base Arm for Flexible Rear Arm | 1 |
| 3 | 18560 | Pin. 1/2 x 4 1/8 Special Clevis | 1 |
| 4 | 47230 | Spring. Spiral Torsion Spring 1 1/4" | 5 |
| 5 | 45350 | Pivot Pin. 5-Spring | 1 |
| 6 | 18296 | Bolt. 1/2" x 1 1/2" Hex Head Bolt | 2 |
| 7 | 18412 | Washer. 1/2" Flat Zinc | 2 |
| 8 | 18631 | Nut. 1/2" Nylock Nut | 2 |

46812 Pivot, Assy Knuckle Front Arm for 38208 or 38206



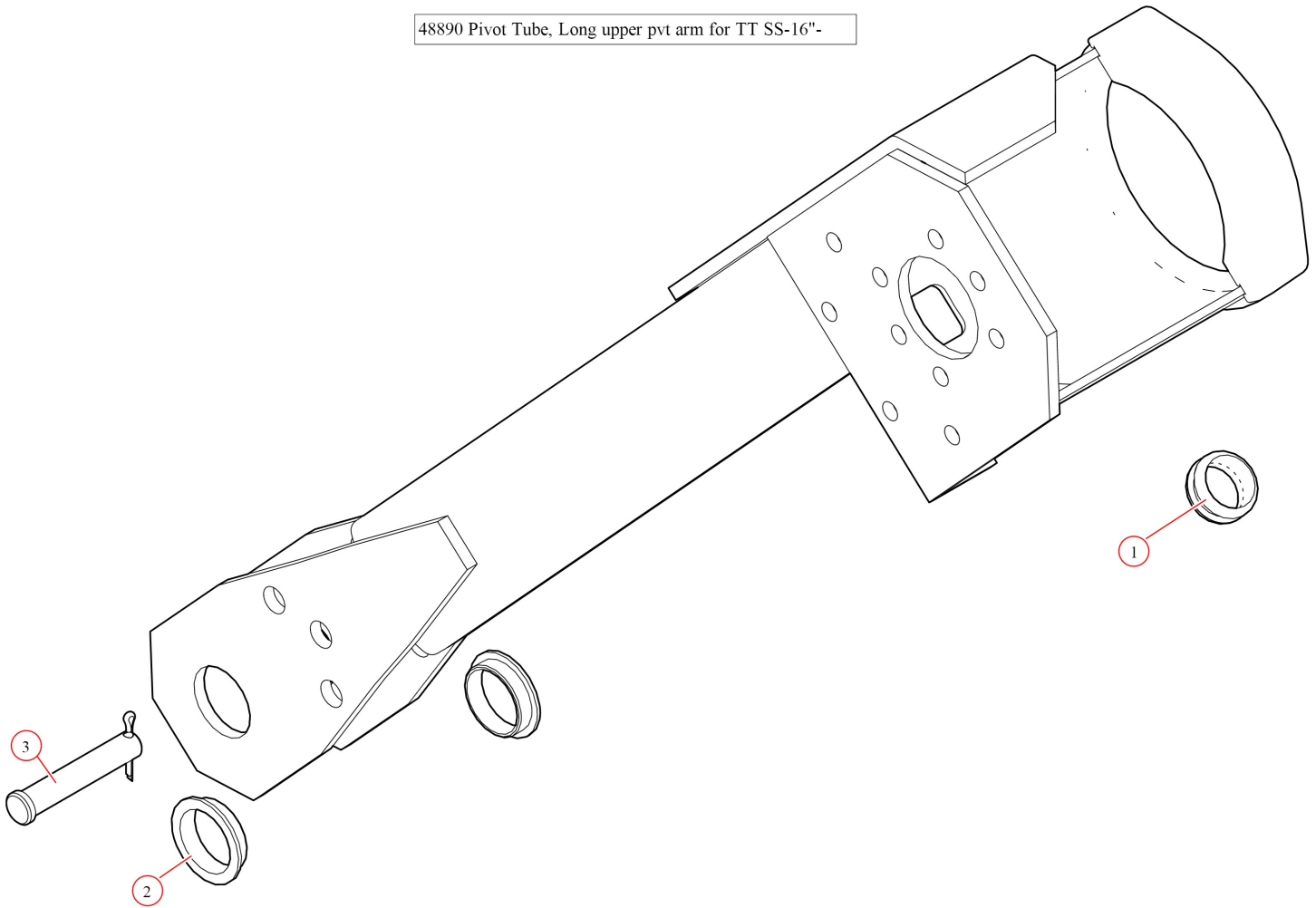
| Bom ID | Part# | Description | qty |
|--------|--------|---|-----|
| 1 | 37590 | Bushing. Axle Stabilizer for 3694 Conversion Adapt - STS | 1 |
| 2 | 48890 | Pivot Tube. Long upper pvt arm for TT SS(16") | 1 |
| 3 | 18510 | Pin. 1/2" x 2-3/4" Clevis | 1 |
| 4 | 47960 | Bracket. 3 Sp Knuckle pin w/ stop plate for SS pvt. mtr end | 1 |
| 5 | 18631 | Nut. 1/2" Nylock Nut | 2 |
| 6 | 18412 | Washer. 1/2" Flat Zinc | 6 |
| 7 | 18295 | Bolt. 1/2" x 1 1/2" Button Head Bolt | 2 |
| 8 | 18560 | Pin. 1/2 x 4 1/8 Special Clevis | 1 |
| 9 | 100697 | Spacer. Gear Spacer for Sliding Pivot Spring Pack | 1 |
| 10 | 48440 | Pivot Tube. Base Arm for External Pivot Retro fit Kit on Grain Trailer... | 1 |
| 11 | 47230 | Spring. Spiral Torsion Spring 1 1/4" | 7 |
| 12 | 45350 | Pivot Pin. 5-Spring | 1 |

48440 Pivot Tube, Base Arm for External Pivot Retro fit Kit on Grain Trailers



| Bom ID | Part# | Description | qty |
|--------|-------|--|-----|
| 1 | 47040 | Bushing. 1 1/4 Poly T- Bushing for Pivot Pin | 4 |

48890 Pivot Tube, Long upper pvt arm for TT SS-16"-



| Bom ID | Part# | Description | qty |
|--------|-------|---|-----|
| 1 | 16418 | Grommet. Rubber 1" ID x .25 Grove for Side to Side Power Kit (300/... | 1 |
| 2 | 47040 | Bushing. 1 1/4 Poly T- Bushing for Pivot Pin | 2 |
| 3 | 18510 | Pin. 1/2" x 2-3/4" Clevis | 1 |