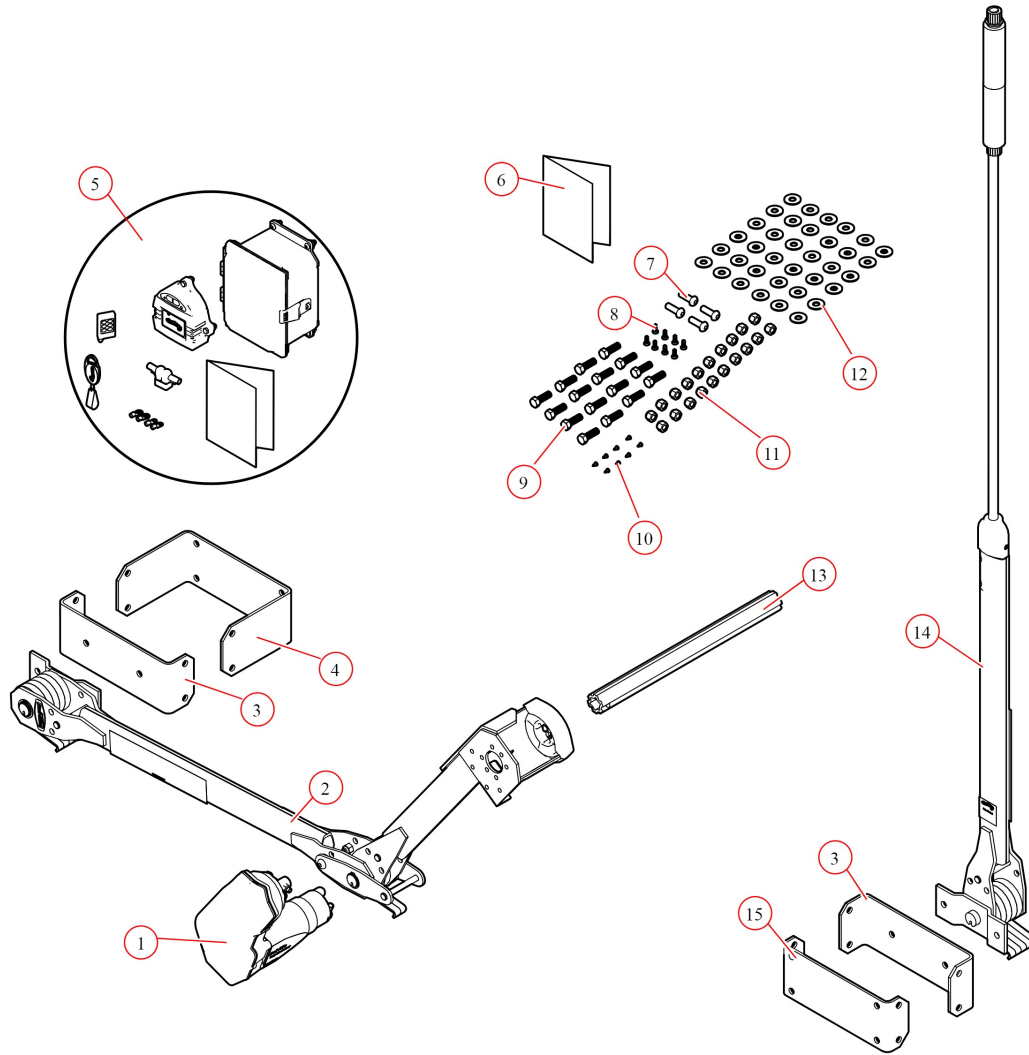


Rite-Lock Power Arm Kit. Pass Stowing w/Ext Pivot & Multi Flex  
Arm for 2" Axle-No 6ga Wire-12V TS

**Part Number: 38208**

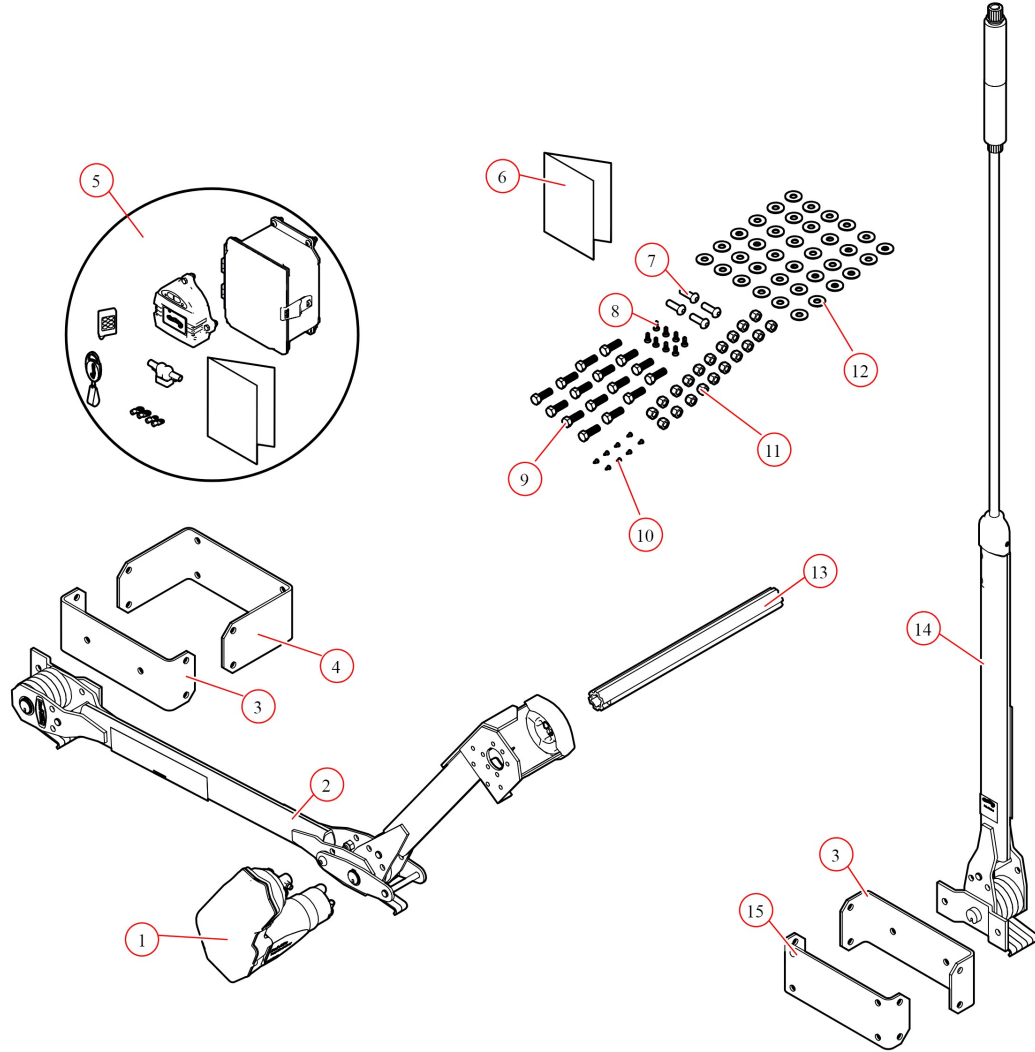
38208 Rite-Lock Kit, Passenger Stowing w/ Ext Pivot & Multi Flex Arm for 2" Axle for End Dump Trailer (No 6ga Wire) 12V TS



Bom ID	Part#	Description	qty
1	10200	TarpStretcher Motor 12V. 5 Year Warranty :S/N:	1
2	46812	Pivot. Assembled Front Arm W 29.25" Lower & 16.1875" Upper For ...	1
3	47278	Bracket. Outer Mounting Bracket for Multiflex	2
4	47279	Bracket. Inner Mounting Bracket for Ext Pivot on End dump	1
5	101545	Electric Kit. One Touch w/ RF Control & Poly Enclosure 12V	1
6	101203	Instructions. Side to Side Conversion Kit	1
7	18295	Bolt. 1/2" x 1 1/2" Button Head Bolt	4
8	18244	Screw. 8x3/8 PH Pan HD T-AB T/S Zinc	8
9	18296	Bolt. 1/2" x 1 1/2" Hex Head Bolt	16
10	18140	Screw. 1/4" x 3/4" Pan Phillips self Drilling	8
11	18631	Nut. 1/2" Nylock Nut	16
12	18412	Washer. 1/2" Flat Zinc	36

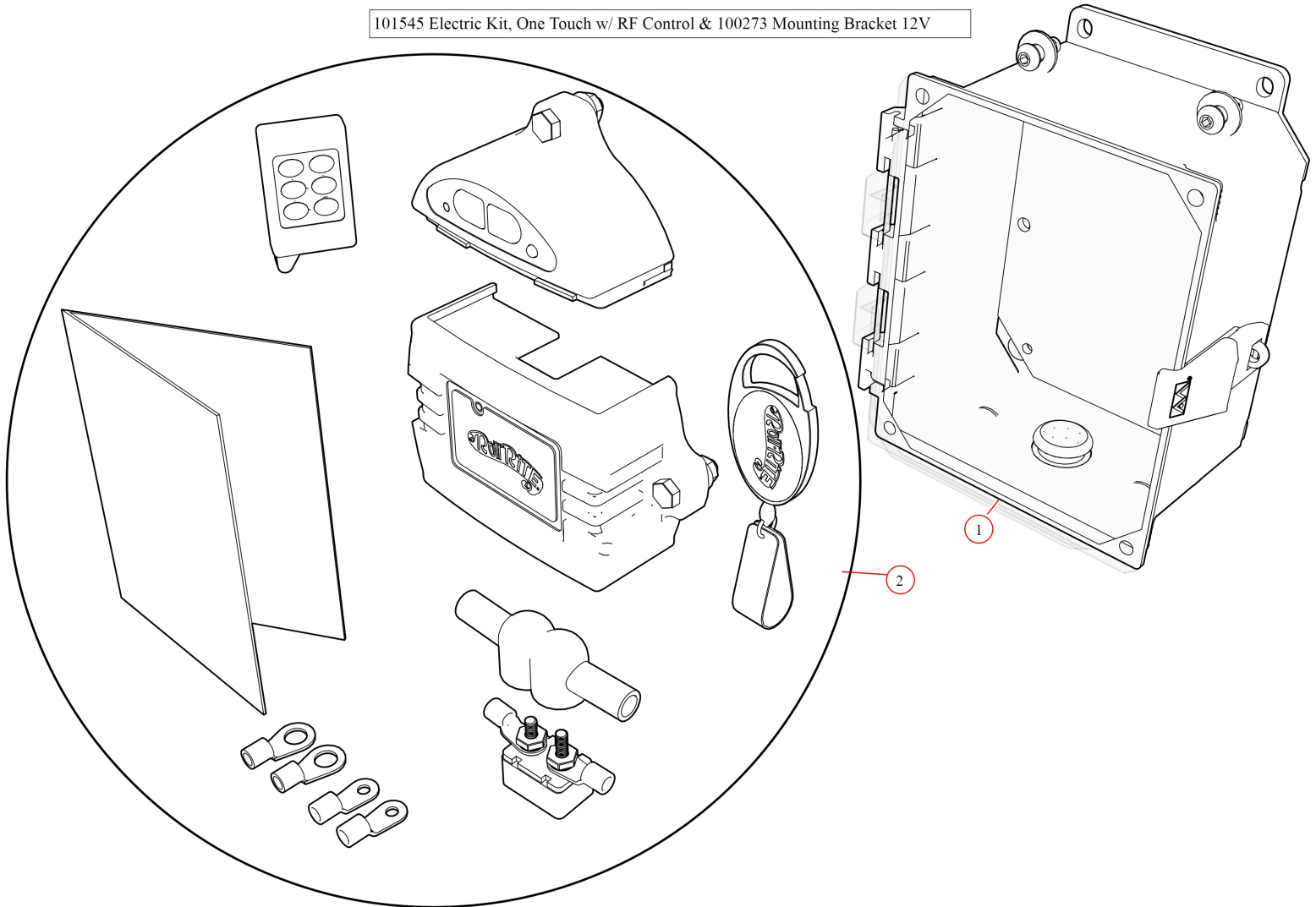
13	36940	Axle. Adapter 2" Axle. 21" Extrusion Tube 2" OD - 1"ID	1
----	-------	--	---

38208 Rite-Lock Kit, Passenger Stowing w/ Ext Pivot & Multi Flex Arm for 2" Axle for End Dump Trailer (No 6ga Wire) 12V TS



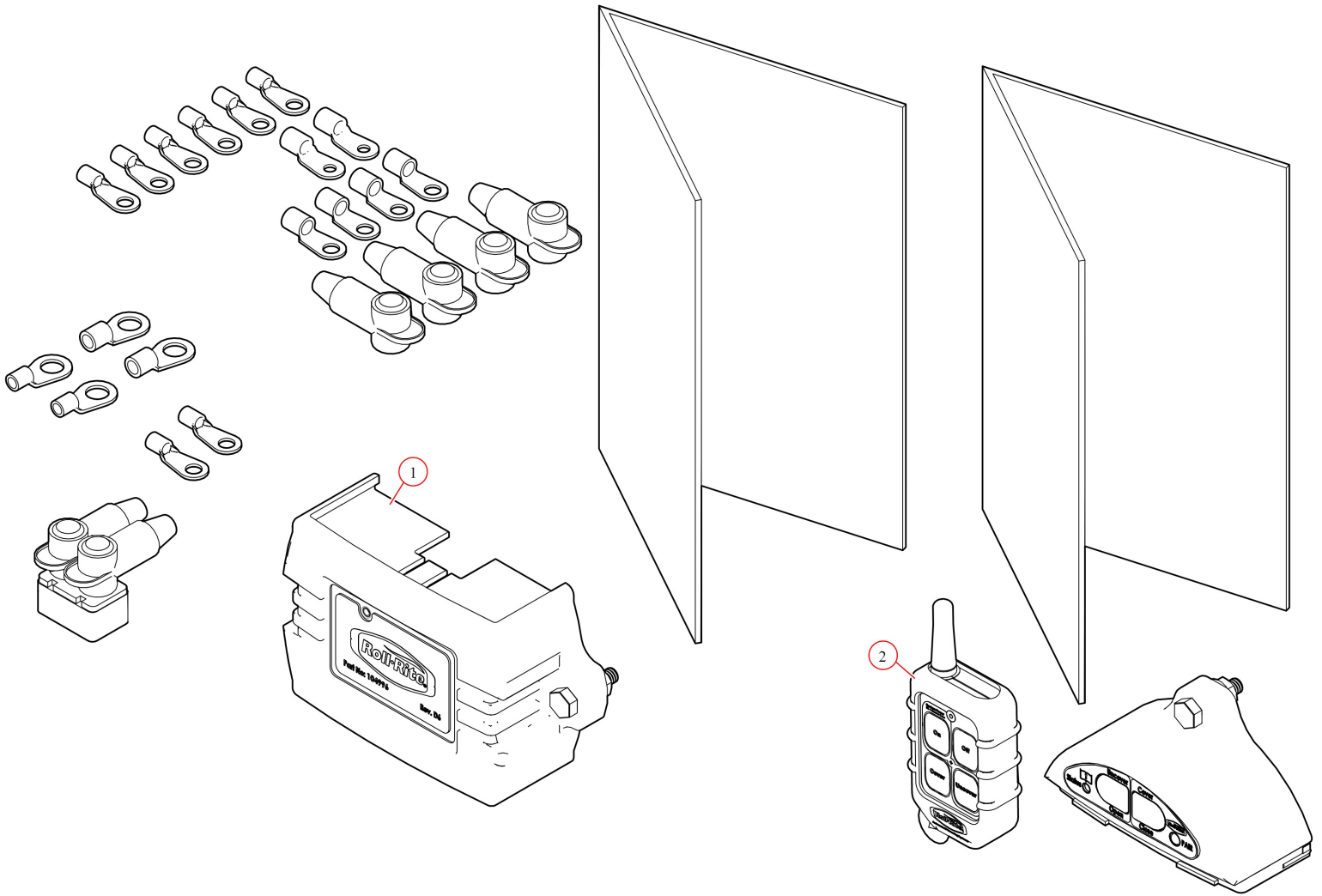
Bom ID	Part#	Description	qty
14	46505	Pivot Assembly. Rear Arm for Pass Stowing System w/2" Axle	1
15	47277	Bracket. Inner Mounting Bracket for Multiflex	1

101545 Electric Kit, One Touch w/ RF Control & 100273 Mounting Bracket 12V



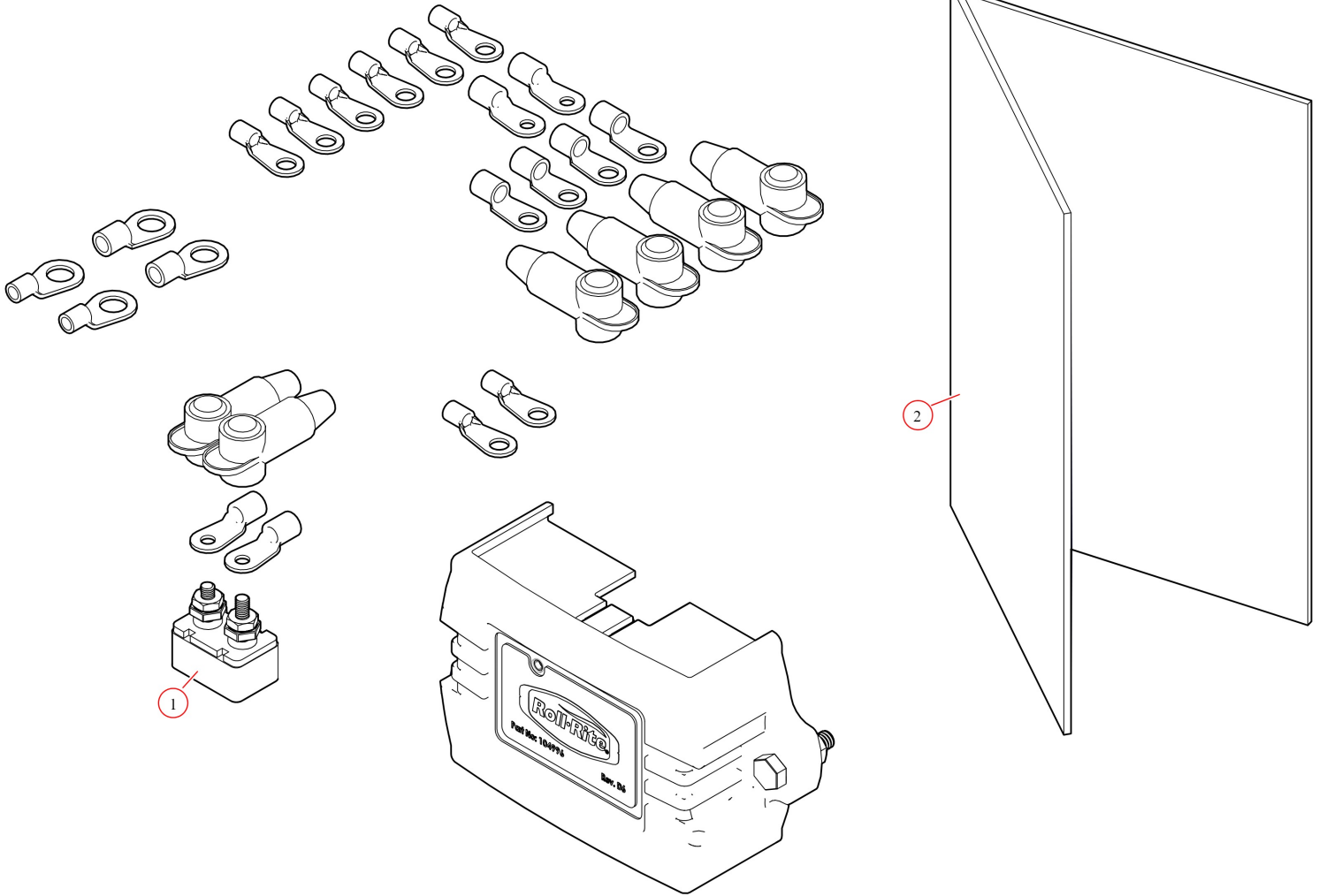
Bom ID	Part#	Description	qty
1	103641	Enclosure. Poly Box with Controller Mounting Plate	1
2	101263	Electric Kit. Gen1+ Solid State Motor Control 12V SWD6 w/ 4 Button...	1

101263 Electric Kit, Gen1+ Solid State Motor Control 12V SWD6 with RF



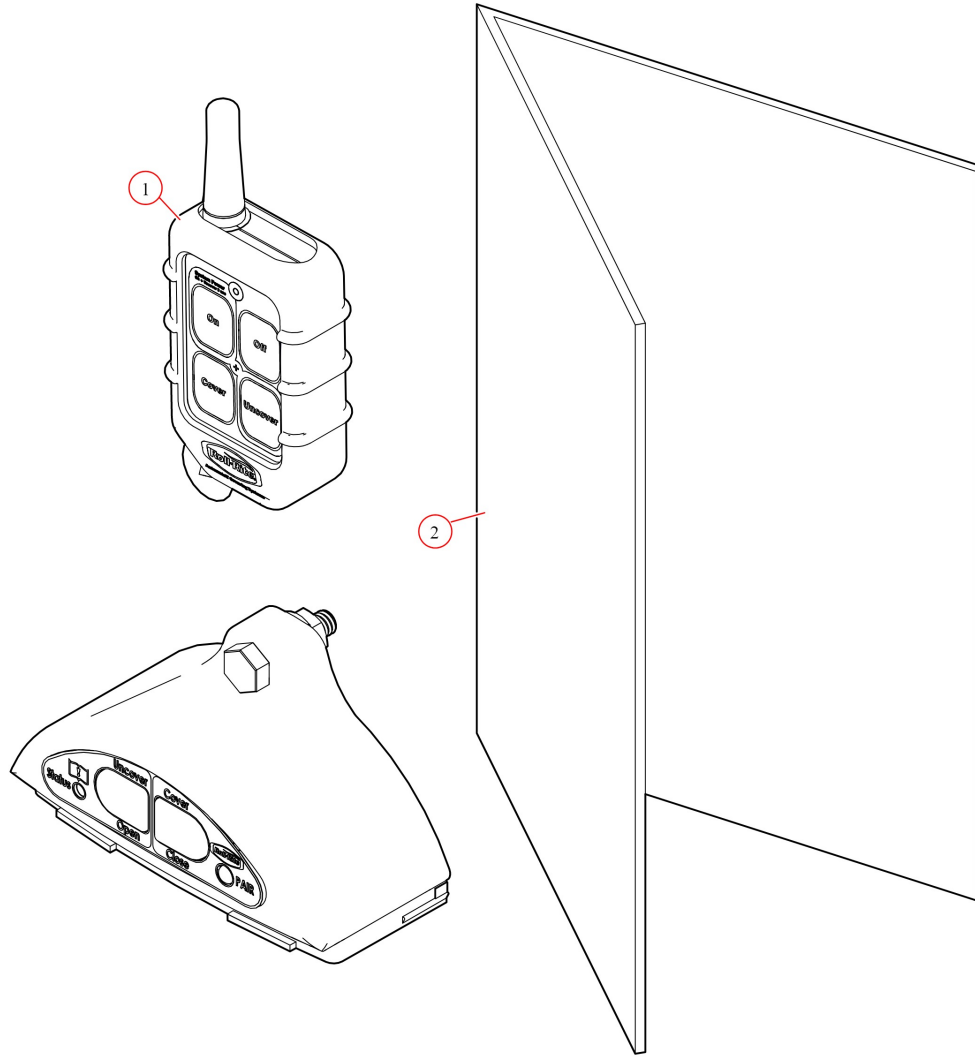
Bom ID	Part#	Description	qty
1	105446	Relay Kit. Gen1+ SS Motor Control 12V SWD6	1
2	11094	RF Switch System. 902-928MHz. w/4 Button Fob & Boot. for Gen1+ ...	1

105446 Electric Kit, Gen1+ SS Motor Control 12V SWD6



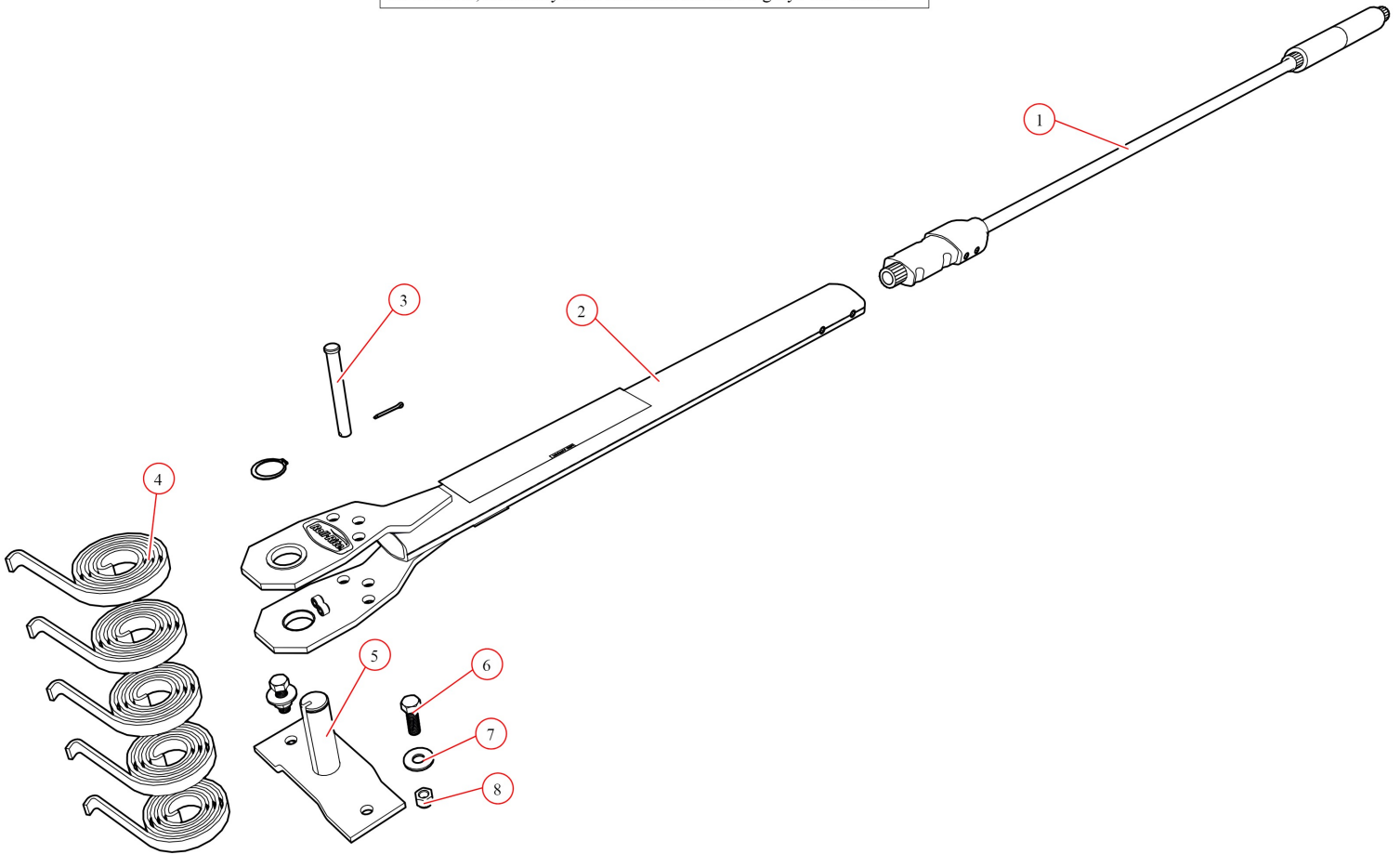
Bom ID	Part#	Description	qty
1	101259	Breaker. 50 Amp Manual Reset Circuit Breaker for Rite Touch	1
2	105568	Instructions. Switch Wiring	1

11094 RFSwitchSystem, 902-928MHz, Gen1+ TarpMotor Relay



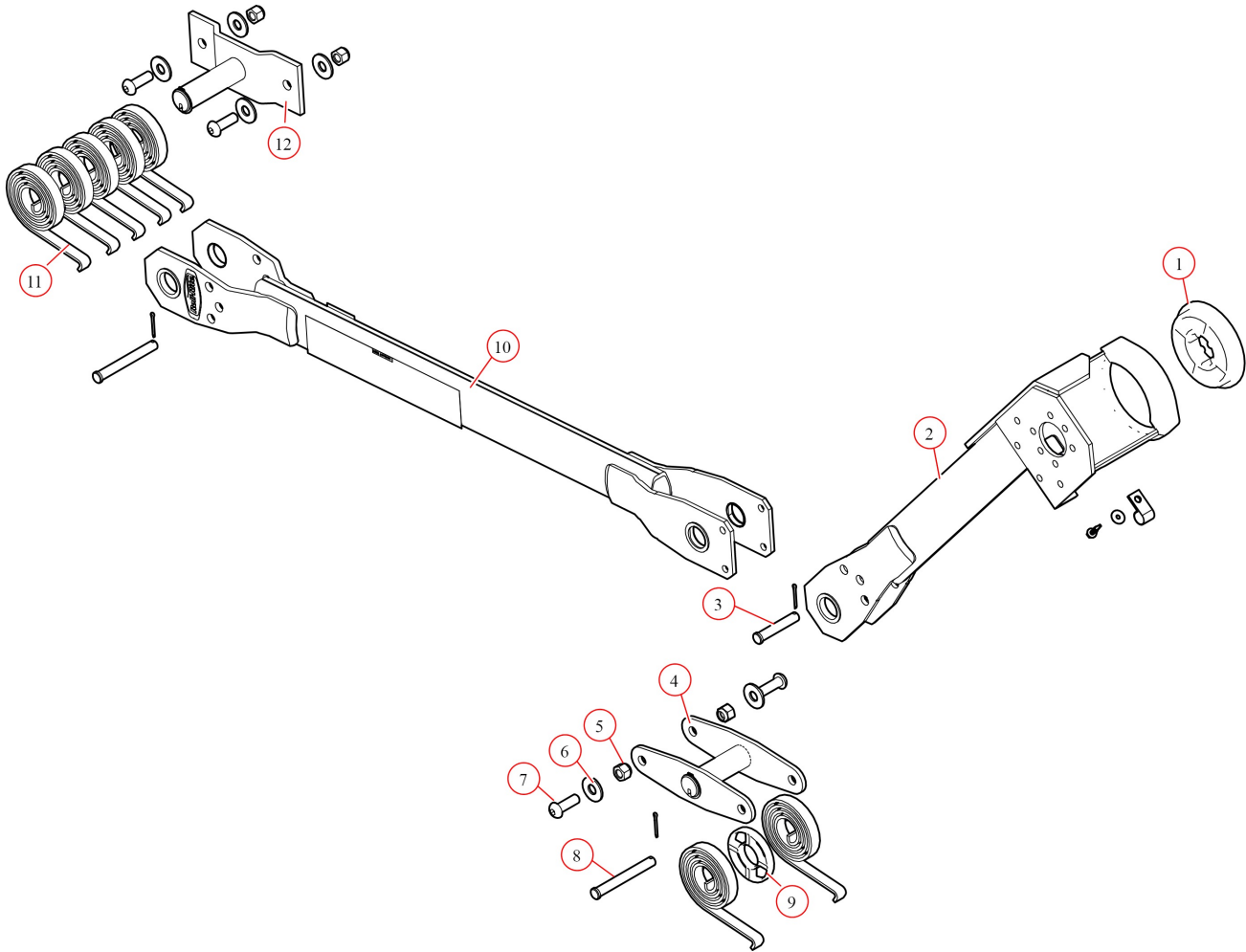
Bom ID	Part#	Description	qty
1	19894	RF Remote FOB. 902-928MHz.4 Button w/ Boot. for Gen1+ Relay	1

46505 Pivot, Assembly Rear Arm for Pass Stowing Sys w/2" Axle



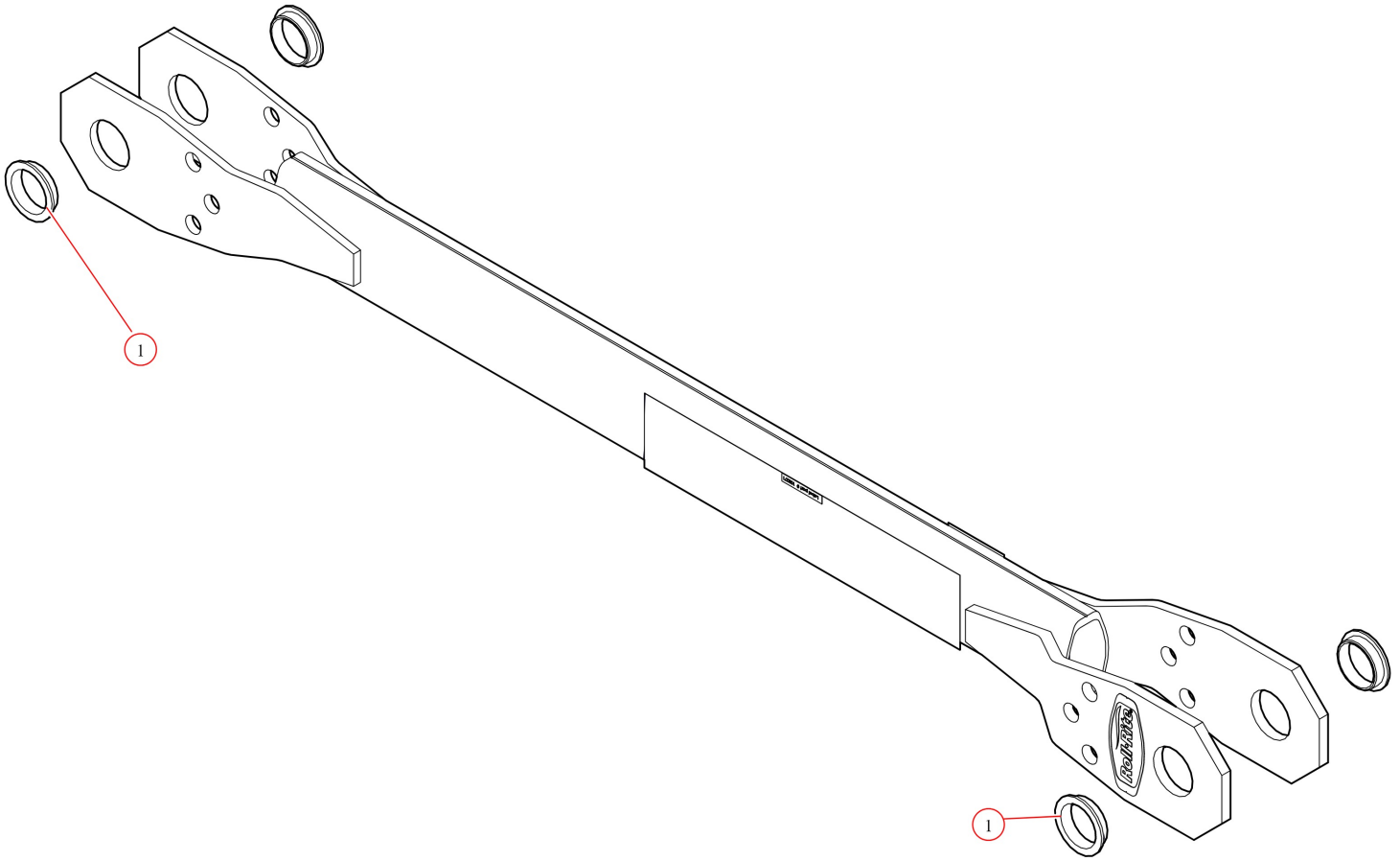
Bom ID	Part#	Description	qty
1	46515	Pivot. Cable Asmb 2" Axle Rear Flex Arm.	1
2	48450	Pivot Tube. Base Arm for Flexible Rear Arm	1
3	18560	Pin. 1/2 x 4 1/8 Special Clevis	1
4	47230	Spring. Spiral Torsion Spring 1 1/4"	5
5	45350	Pivot Pin. 5-Spring	1
6	18296	Bolt. 1/2" x 1 1/2" Hex Head Bolt	2
7	18412	Washer. 1/2" Flat Zinc	2
8	18631	Nut. 1/2" Nylock Nut	2

46812 Pivot, Assy Knuckle Front Arm for 38208 or 38206



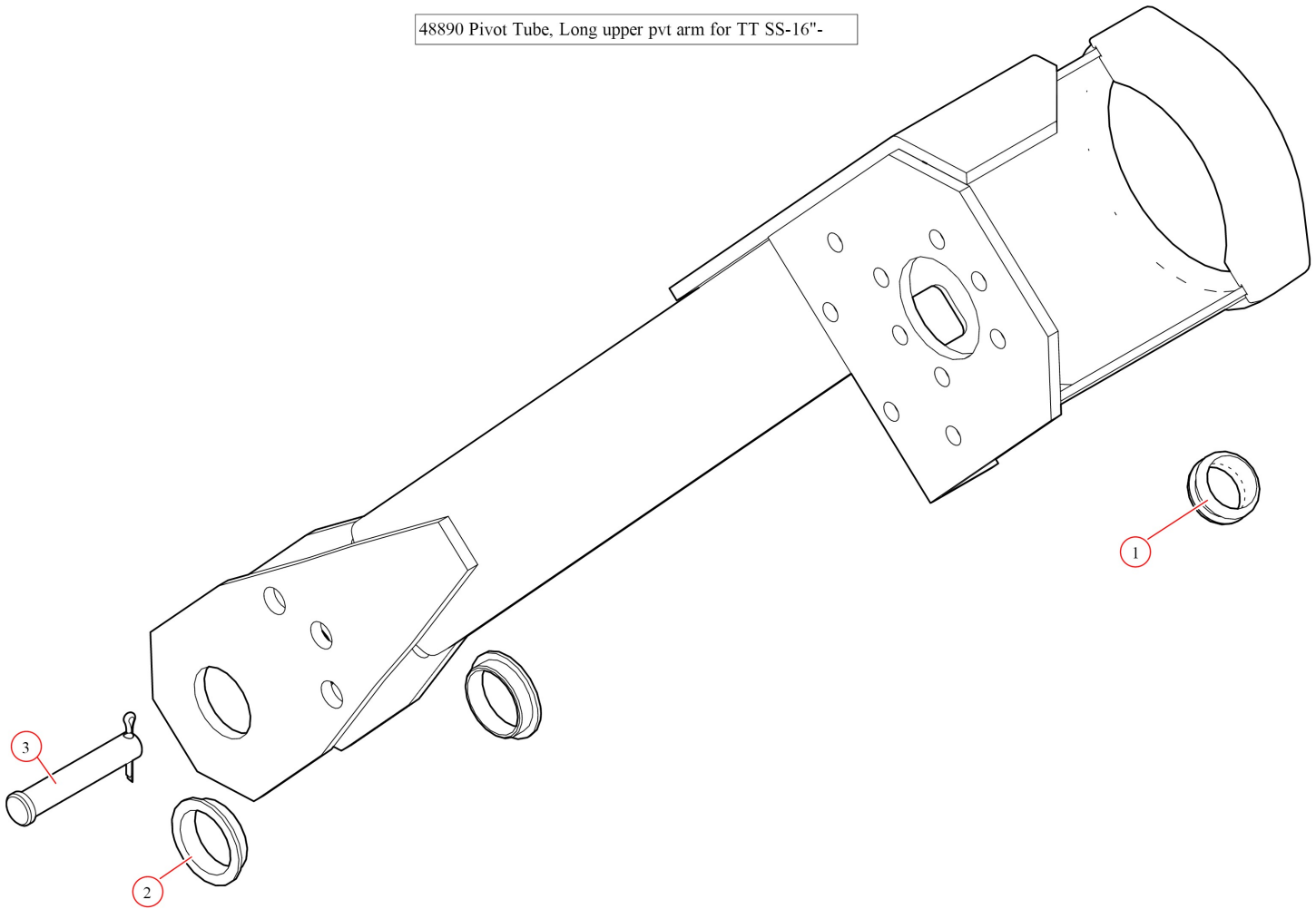
Bom ID	Part#	Description	qty
1	37590	Bushing. Axle Stabilizer for 3694 Conversion Adapt - STS	1
2	48890	Pivot Tube. Long upper pvt arm for TT SS(16")	1
3	18510	Pin. 1/2" x 2-3/4" Clevis	1
4	47960	Bracket. 3 Sp Knuckle pin w/ stop plate for SS pvt. mtr end	1
5	18631	Nut. 1/2" Nylock Nut	2
6	18412	Washer. 1/2" Flat Zinc	6
7	18295	Bolt. 1/2" x 1 1/2" Button Head Bolt	2
8	18560	Pin. 1/2 x 4 1/8 Special Clevis	1
9	100697	Spacer. Gear Spacer for Sliding Pivot Spring Pack	1
10	48440	Pivot Tube. Base Arm for External Pivot Retro fit Kit on Grain Trailer...	1
11	47230	Spring. Spiral Torsion Spring 1 1/4"	7
12	45350	Pivot Pin. 5-Spring	1

48440 Pivot Tube, Base Arm for External Pivot Retro fit Kit on Grain Trailers



Bom ID	Part#	Description	qty
1	47040	Bushing. 1 1/4 Poly T- Bushing for Pivot Pin	4

48890 Pivot Tube, Long upper pvt arm for TT SS-16"-



Bom ID	Part#	Description	qty
1	16418	Grommet. Rubber 1" ID x .25 Grove for Side to Side Power Kit (300/...	1
2	47040	Bushing. 1 1/4 Poly T- Bushing for Pivot Pin	2
3	18510	Pin. 1/2" x 2-3/4" Clevis	1