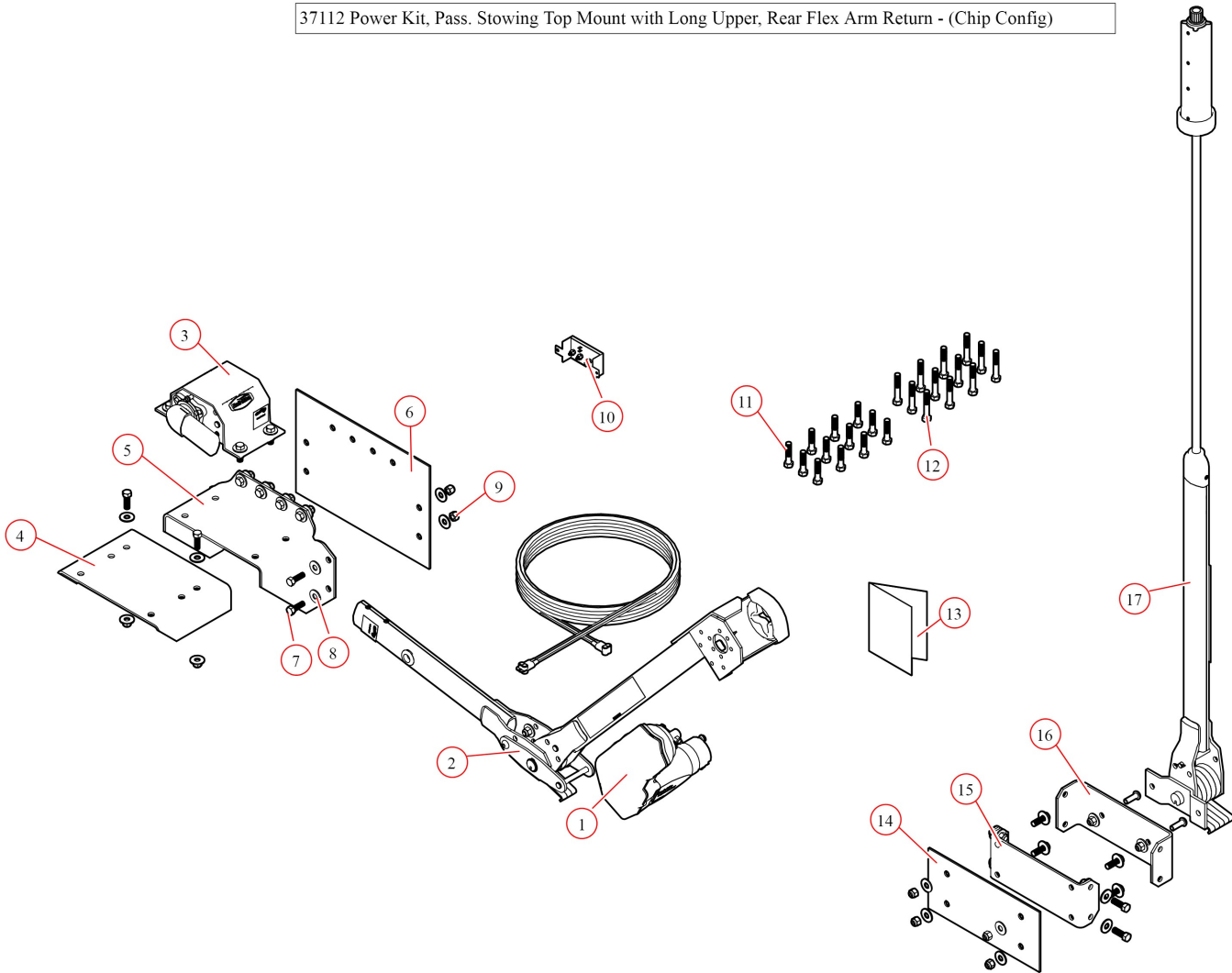


Power Kit. Pass. Stowing Top Mount with Long Upper. Rear Flex
Arm Return - (Chip Config)

Part Number: 37112

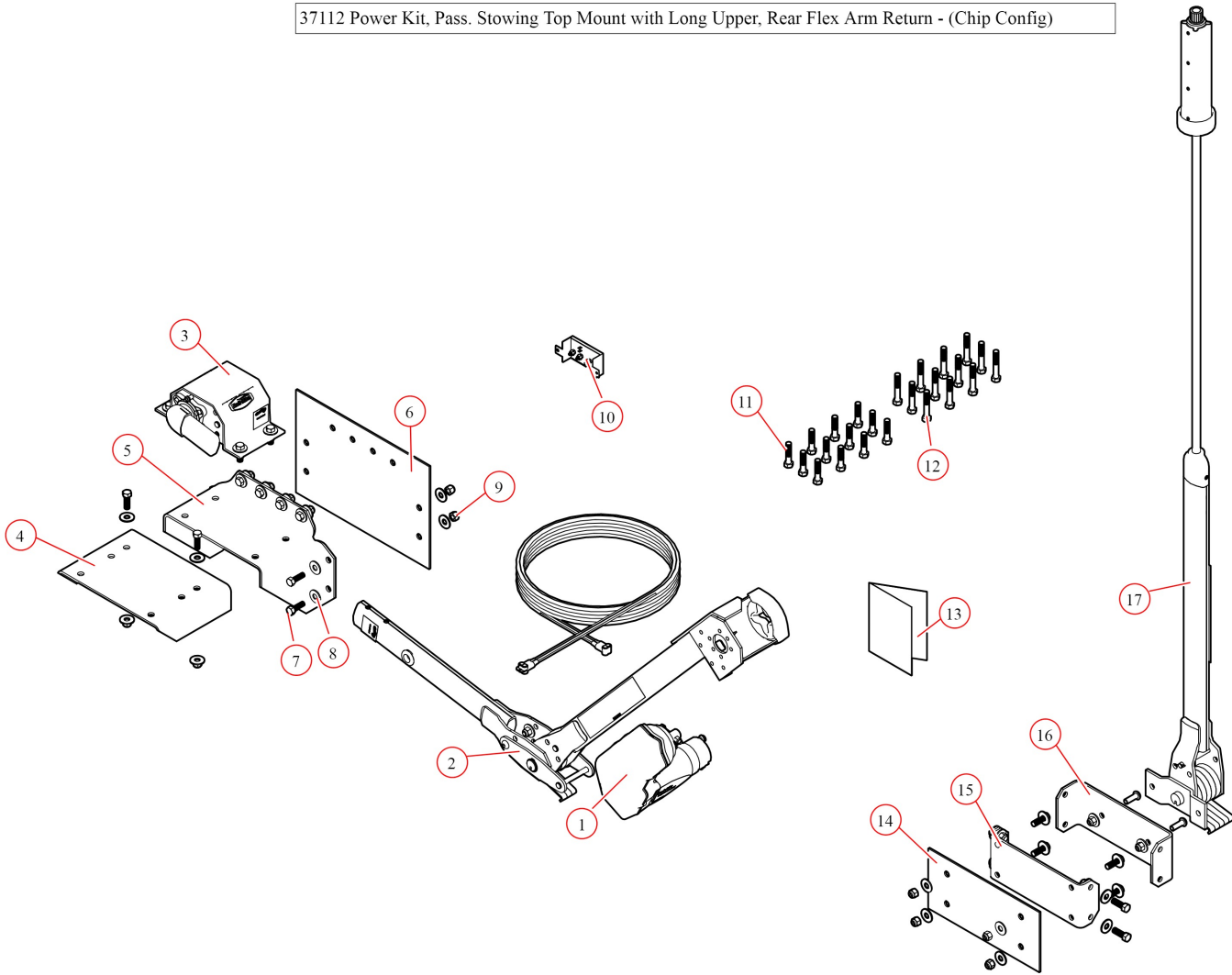
37112 Power Kit, Pass. Stowing Top Mount with Long Upper, Rear Flex Arm Return - (Chip Config)



| Bom ID | Part# | Description | qty |
|--------|--------|---|-----|
| 1 | 10200 | TarpStretcher Motor 12V. 5 Year Warranty :S/N: | 1 |
| 2 | 103810 | Pivot. Assembled Front Arm for Transfer Trailer Power Kit Passenge... | 1 |
| 3 | 46470 | Pivot Assembly. 6 Spring Top Mount Pvt w/out Tube - Drivers Side | 1 |
| 4 | 104278 | Bracket. Alum Pivot Mounting Extension Plate | 1 |
| 5 | 47200 | Bracket. AL for Mounting Top Mnt Pivot to Vertical Surface | 1 |
| 6 | 103813 | Bracket. AL Plate for Top Mount Pivot Box Mount | 1 |
| 7 | 18296 | Bolt. 1/2" x 1 1/2" Hex Head Bolt | 18 |
| 8 | 18412 | Washer. 1/2" Flat Zinc | 36 |
| 9 | 18631 | Nut. 1/2" Nylock Nut | 18 |
| 10 | 104148 | Smart Breaker & enclosure with 10698 relay and 8ga terminals | 1 |
| 11 | 18739 | Bolt. 1/2" x 2 1/4" Hex Head Bolt | 12 |
| 12 | 18306 | Bolt. 1/2" -13x3 Zinc Hex Head G5 | 12 |

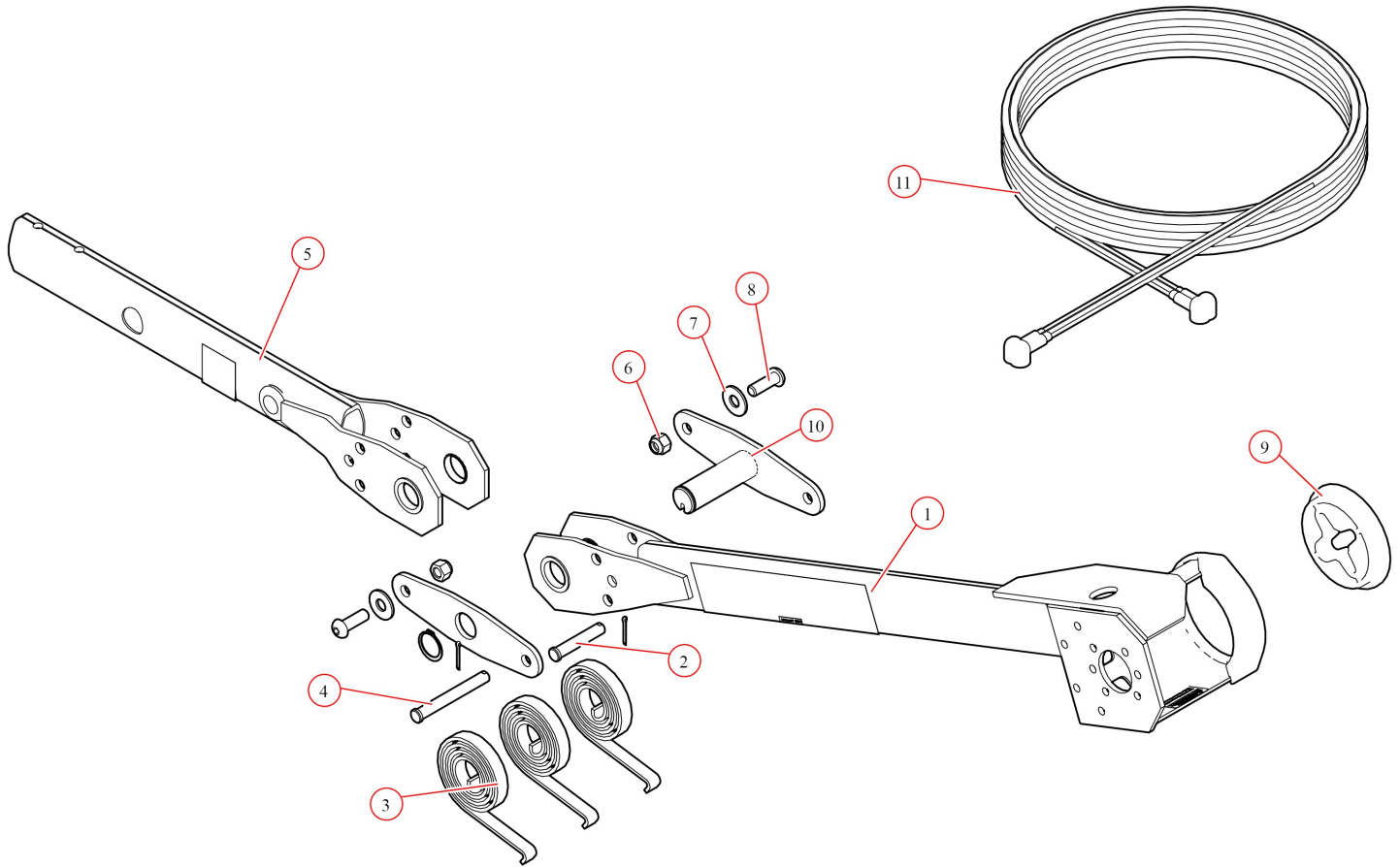
| | | | |
|----|--------|--|---|
| 13 | 103890 | Instructions. Chip-Transfer Trailer Multi Flex Instuctions STS | 1 |
|----|--------|--|---|

37112 Power Kit, Pass. Stowing Top Mount with Long Upper, Rear Flex Arm Return - (Chip Config)



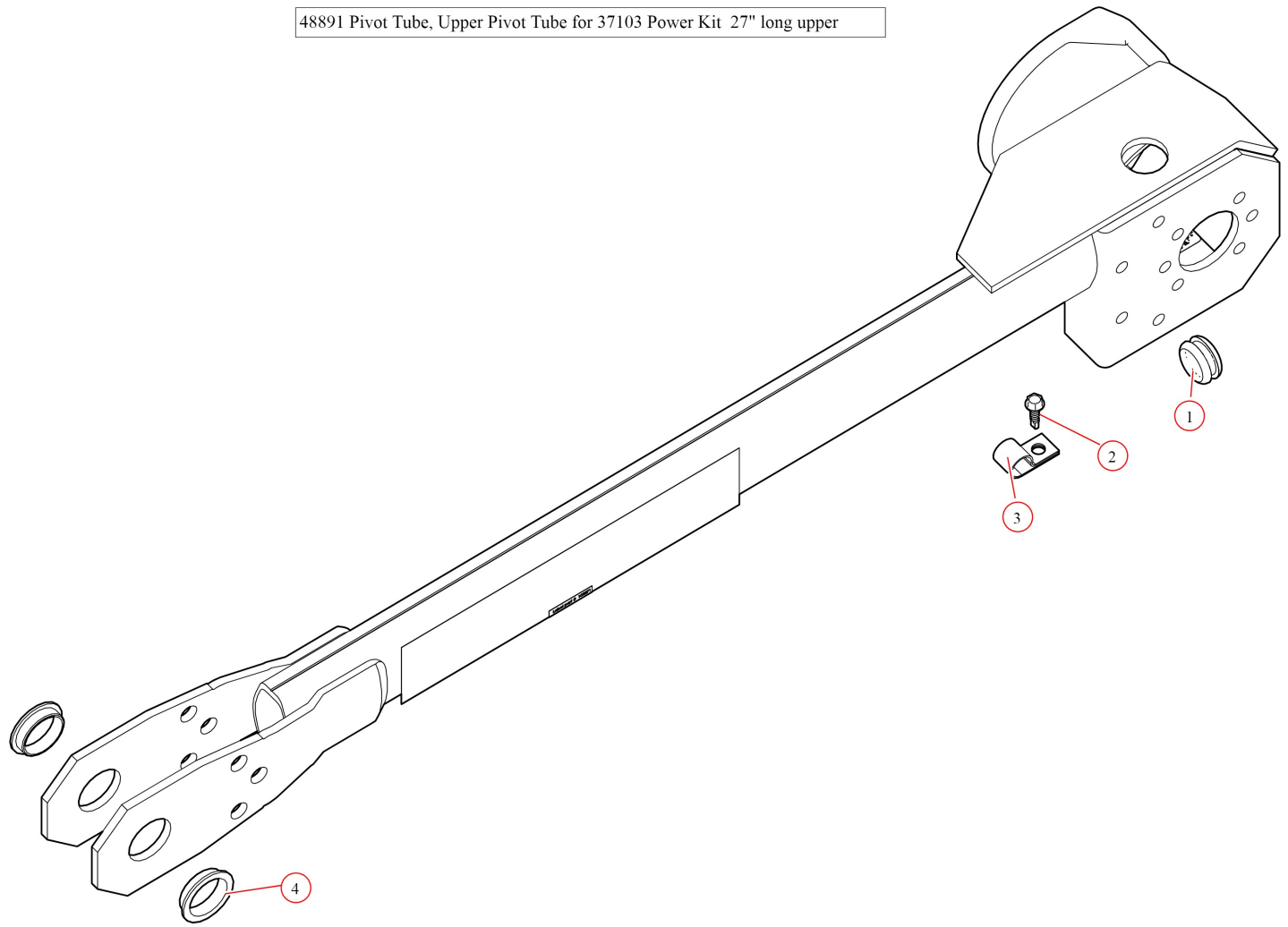
| Bom ID | Part# | Description | qty |
|--------|--------|--|-----|
| 14 | 103815 | Bracket. AL Plate for Multi-Flex Mount | 1 |
| 15 | 47277 | Bracket. Inner Mounting Bracket for Multiflex | 1 |
| 16 | 47278 | Bracket. Outer Mounting Bracket for Multiflex | 1 |
| 17 | 46506 | Pivot Assembly. Multi-Flex Rear Arm for Pass Stowing System w/3" ... | 1 |

103810 Pivot, Assembled Front Arm for 103796 Power Kit Passenger Stowing



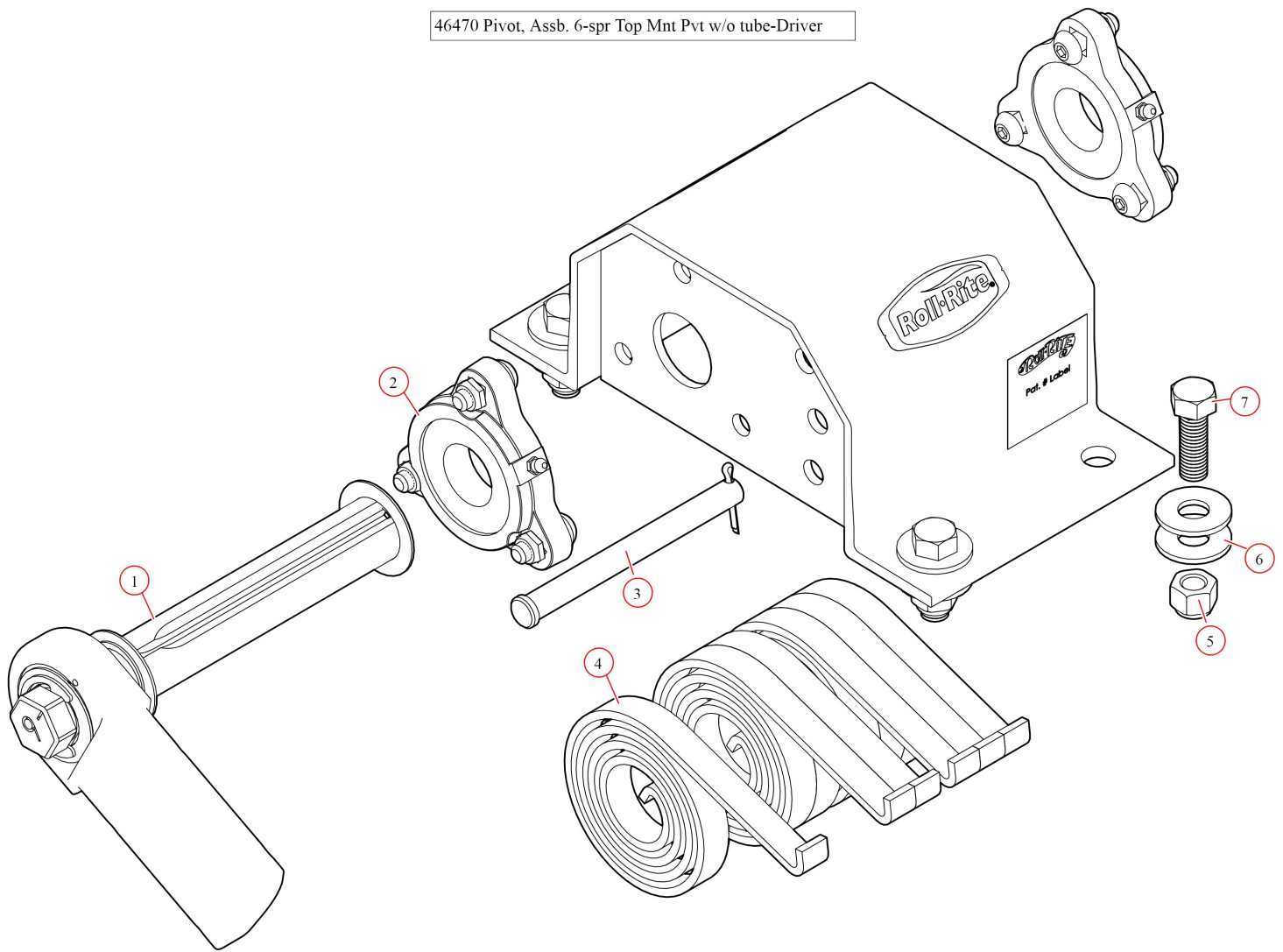
| Bom ID | Part# | Description | qty |
|--------|--------|---|-----|
| 1 | 48891 | Pivot Tube. Upper Pivot Tube for 37103 Power Kit 27" long upper | 1 |
| 2 | 18510 | Pin. 1/2" x 2-3/4" Clevis | 1 |
| 3 | 47230 | Spring. Spiral Torsion Spring 1 1/4" | 3 |
| 4 | 18560 | Pin. 1/2 x 4 1/8 Special Clevis | 1 |
| 5 | 46982 | Pivot Tube. Base for 37103 Power Kit w/20.75" base | 1 |
| 6 | 18631 | Nut. 1/2" Nylock Nut | 2 |
| 7 | 18412 | Washer. 1/2" Flat Zinc | 2 |
| 8 | 18295 | Bolt. 1/2" x 1 1/2" Button Head Bolt | 2 |
| 9 | 37570 | Bushing. Axle Stabilizer for Standard Axle | 1 |
| 10 | 47960 | Bracket. 3 Sp Knuckle pin w/ stop plate for SS pvt. mtr end | 1 |
| 11 | 103842 | Wire. 17' Dual Conductor 8 ga Terminated w/Boots & Shrink tube | 1 |

48891 Pivot Tube, Upper Pivot Tube for 37103 Power Kit 27" long upper



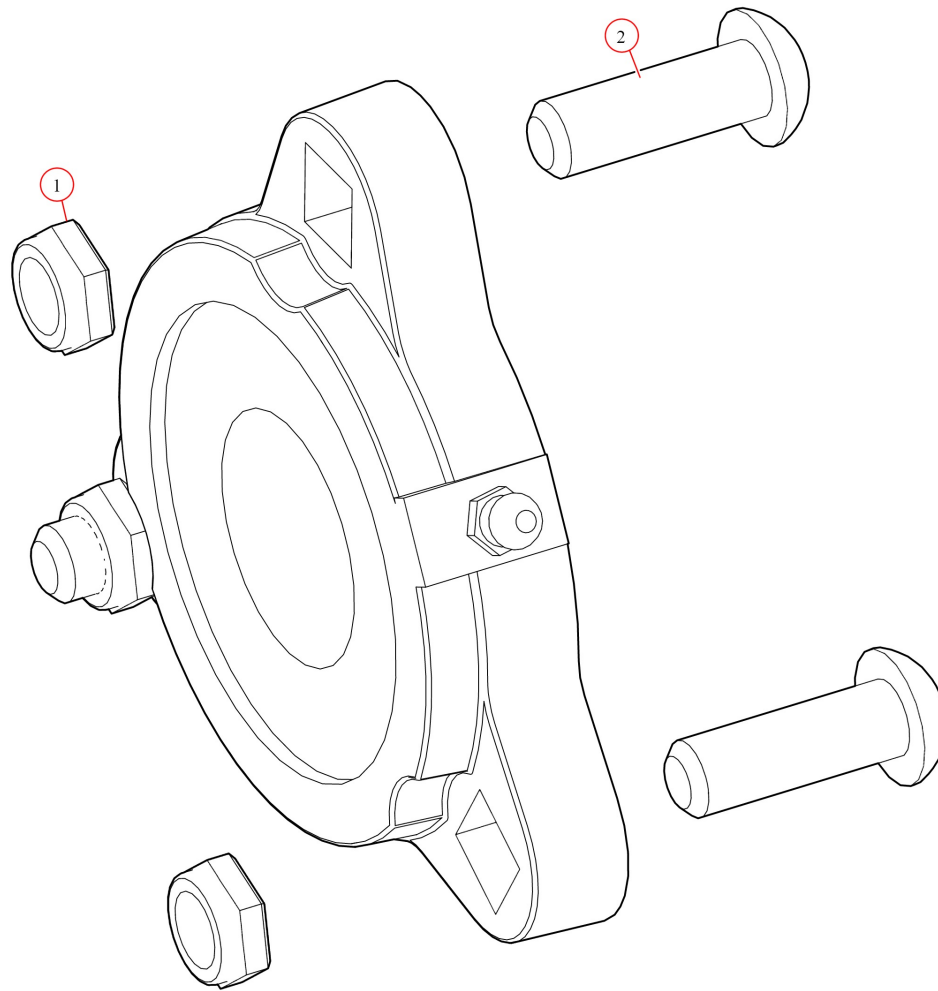
| Bom ID | Part# | Description | qty |
|--------|-------|---|-----|
| 1 | 16418 | Grommet. Rubber 1" ID x .25 Grove for Side to Side Power Kit (300/... | 1 |
| 2 | 18110 | Bolt. 1/4" x 1" Self Drilling Hex Washer Head | 1 |
| 4 | 47040 | Bushing. 1 1/4 Poly T- Bushing for Pivot Pin | 2 |

46470 Pivot, Assb. 6-spr Top Mnt Pvt w/o tube-Driver



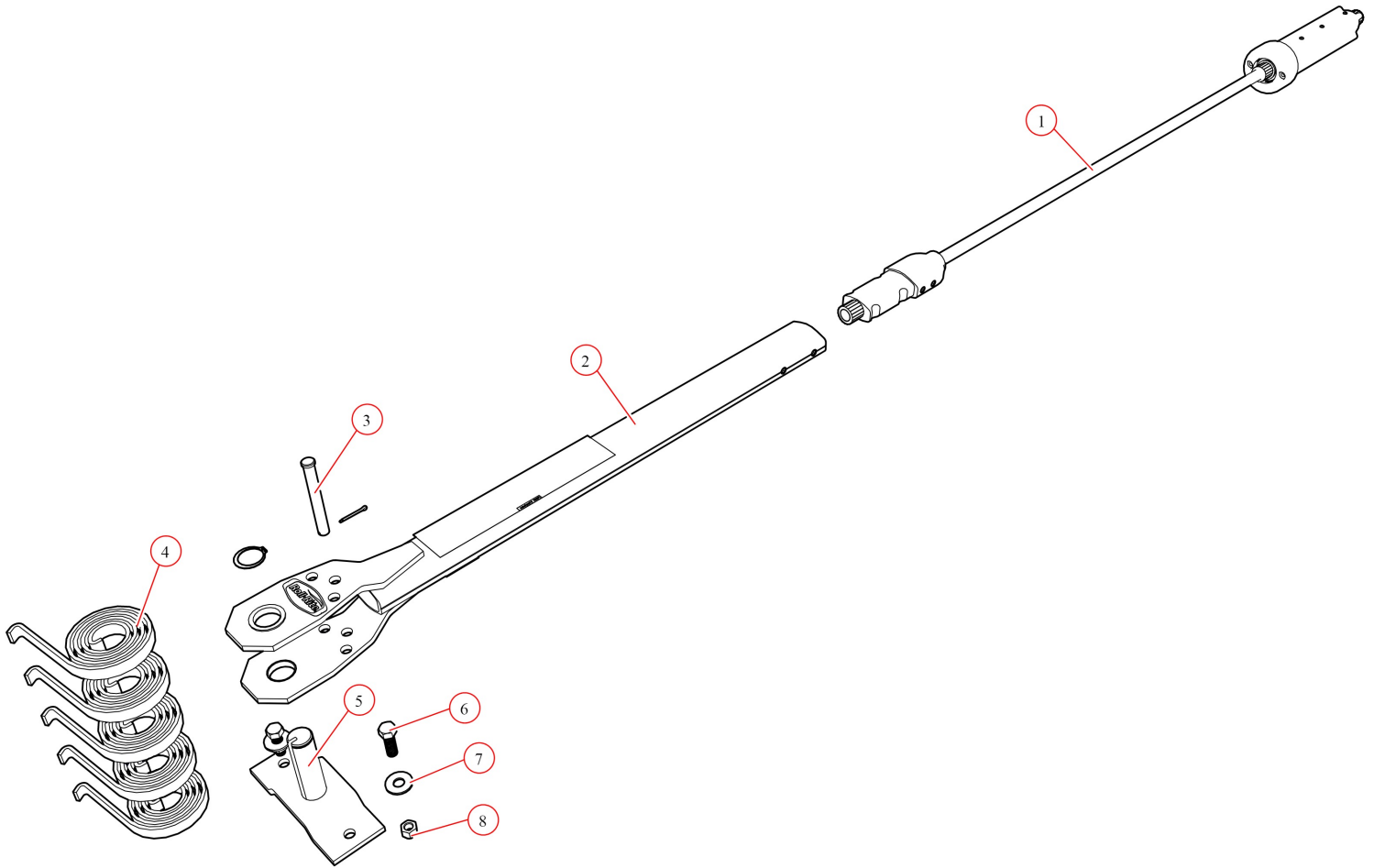
| Bom ID | Part# | Description | qty |
|--------|-------|---|-----|
| 1 | 46360 | Pivot Pin. for 5 & 6 Spring Roller Bearing - Drivers Side | 1 |
| 2 | 47800 | Bearing. Carrier Underbody Flanged | 2 |
| 3 | 18540 | Pin. 1/2" x 5-1/4" Clevis | 1 |
| 4 | 47230 | Spring. Spiral Torsion Spring 1 1/4" | 6 |
| 5 | 18631 | Nut. 1/2" Nylock Nut | 4 |
| 6 | 18412 | Washer. 1/2" Flat Zinc | 4 |
| 7 | 18296 | Bolt. 1/2" x 1 1/2" Hex Head Bolt | 4 |

47800 Bearing, Carrier Underbody Flanged



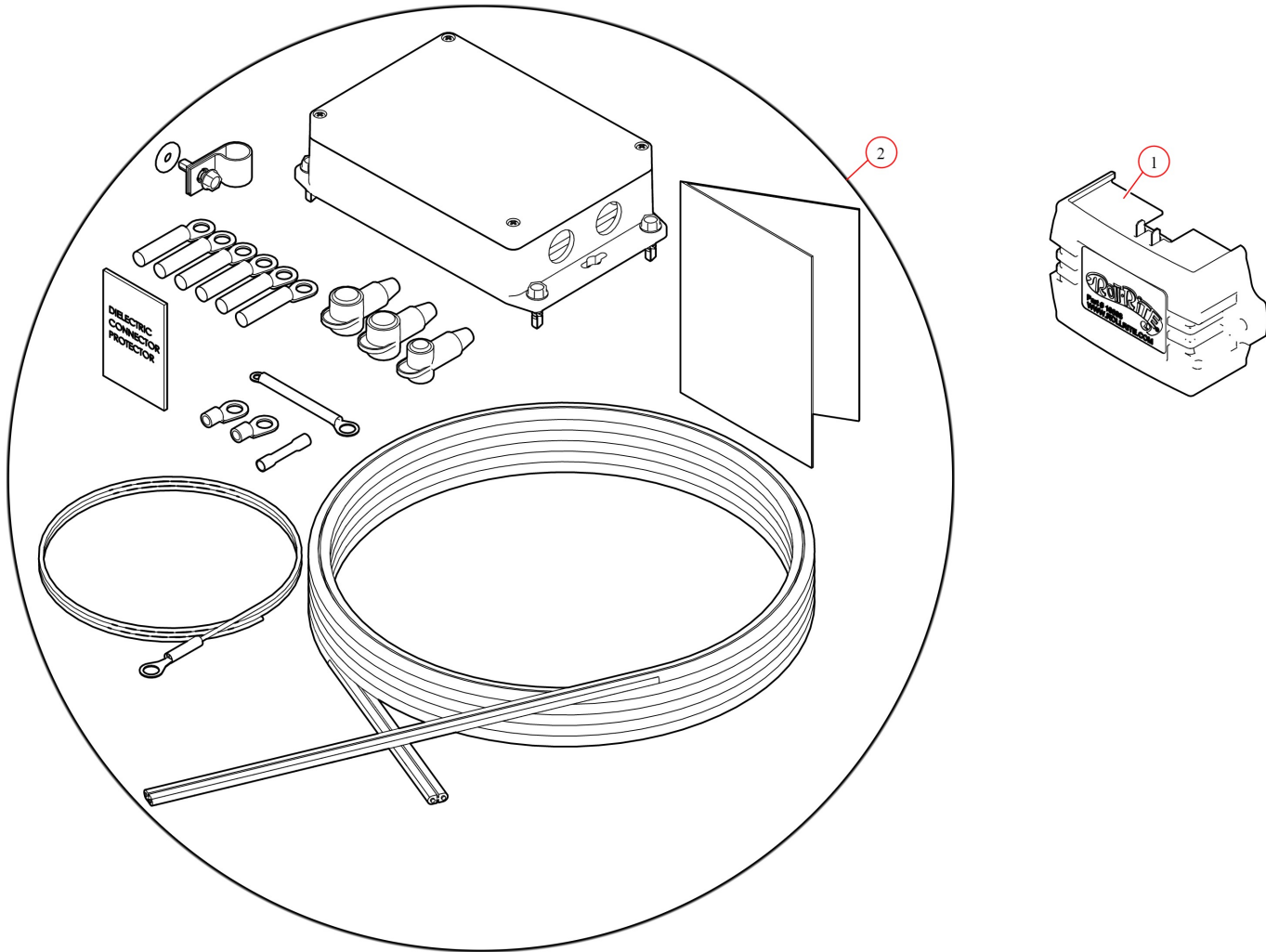
| Bom ID | Part# | Description | qty |
|--------|-------|------------------------------------|-----|
| 1 | 18628 | Nut. Nylock nut 3/8" Jamb Nut | 2 |
| 2 | 18242 | Bolt. 3/8"-16 x 1 1/8" Button Head | 2 |

46506 Pivot, Assembly Rear Arm for Pass Stowing Sys w/3" Axle



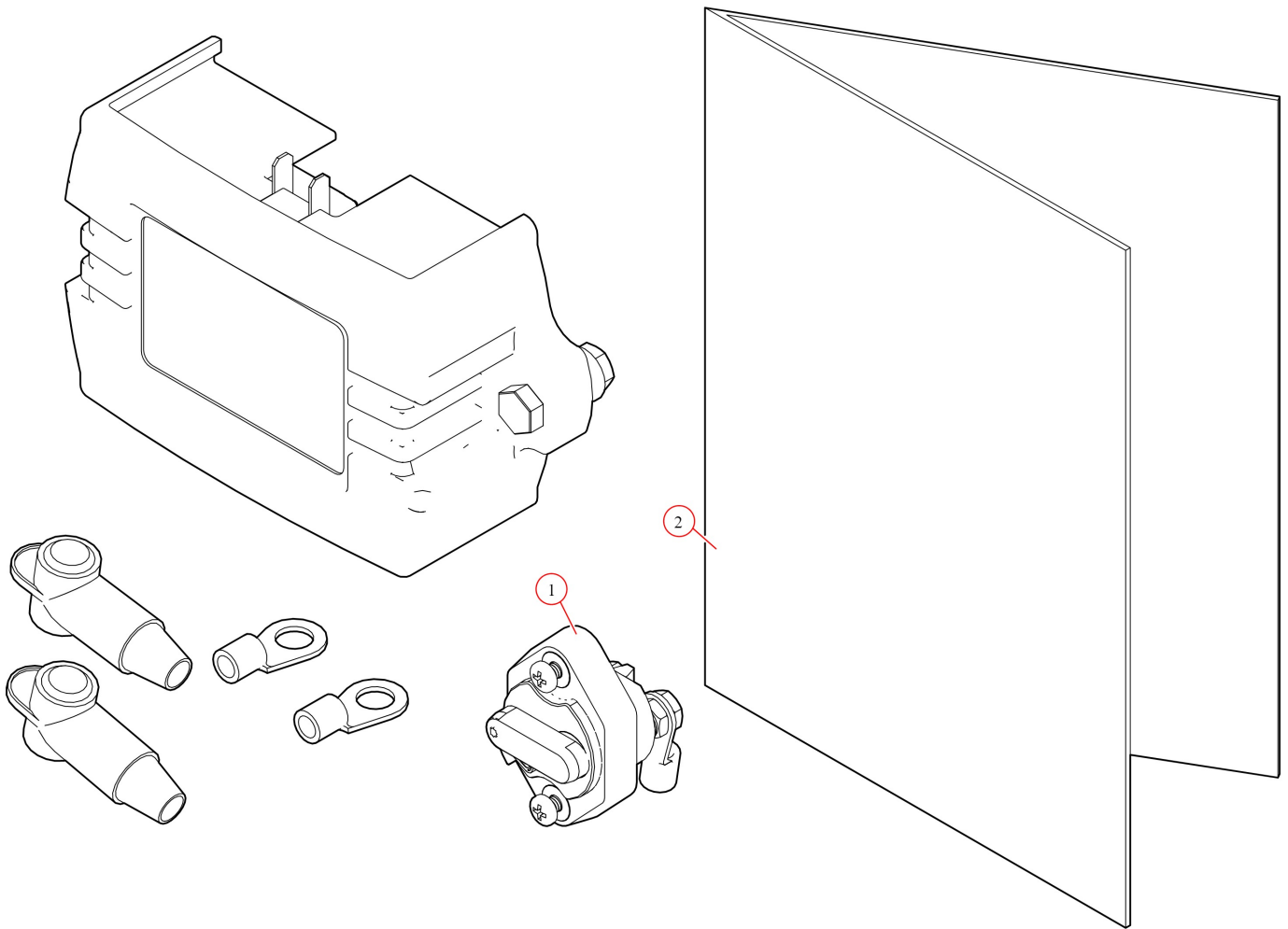
| Bom ID | Part# | Description | qty |
|--------|-------|---|-----|
| 1 | 46516 | Pivot. Cable Assembly 3" Axle Rear Flex Arm | 1 |
| 2 | 48450 | Pivot Tube. Base Arm for Flexible Rear Arm | 1 |
| 3 | 18560 | Pin. 1/2 x 4 1/8 Special Clevis | 1 |
| 4 | 47230 | Spring. Spiral Torsion Spring 1 1/4" | 5 |
| 5 | 45350 | Pivot Pin. 5-Spring | 1 |
| 6 | 18296 | Bolt. 1/2" x 1 1/2" Hex Head Bolt | 2 |
| 7 | 18412 | Washer. 1/2" Flat Zinc | 2 |
| 8 | 18631 | Nut. 1/2" Nylock Nut | 2 |

104148 Smart Breaker & enclosure with 10695 relay and 8ga terminals



| Bom ID | Part# | Description | qty |
|--------|--------|--|-----|
| 1 | 10695 | Relay Kit. HD Mechanical Relay w/ 35 Amp Manual Reset Breaker &... | 1 |
| 2 | 101479 | Breaker. Electronic Smart Breaker in Enclosure | 1 |

10695 Relay, HD(12V) w/ 35 amp Manual Reset Breaker & Terminal



| Bom ID | Part# | Description | qty |
|--------|--------|---|-----|
| 1 | 17918 | Breaker. 35A Outdoor Manual Reset Circuit Breaker | 1 |
| 2 | 101784 | Instructions. 10698 12 volt wiring Diagram | 1 |