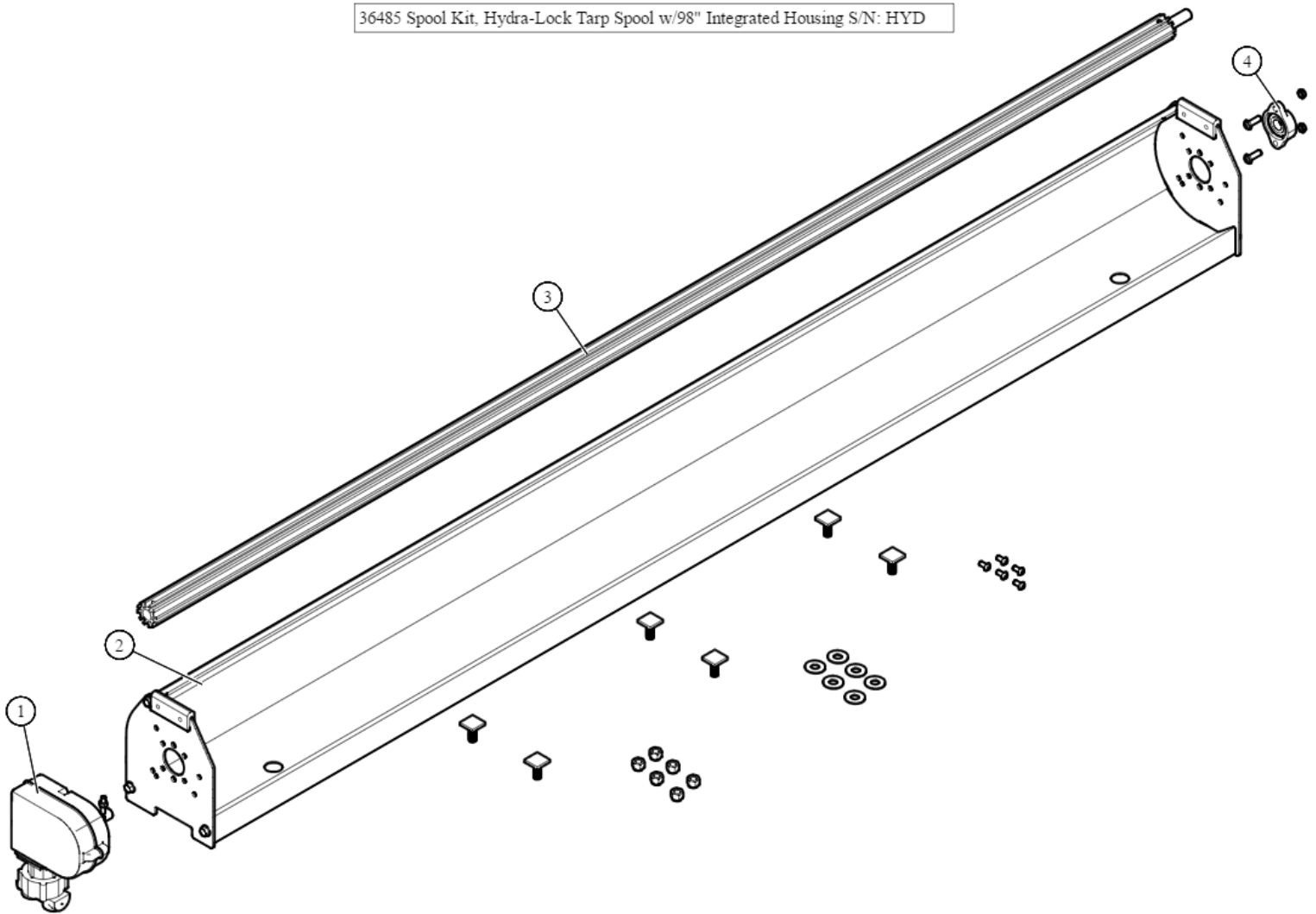


[Spool Kit. Hydra-Lock Tarp Spool w/98" Integrated Housing S/N:](#)

[HYD](#)

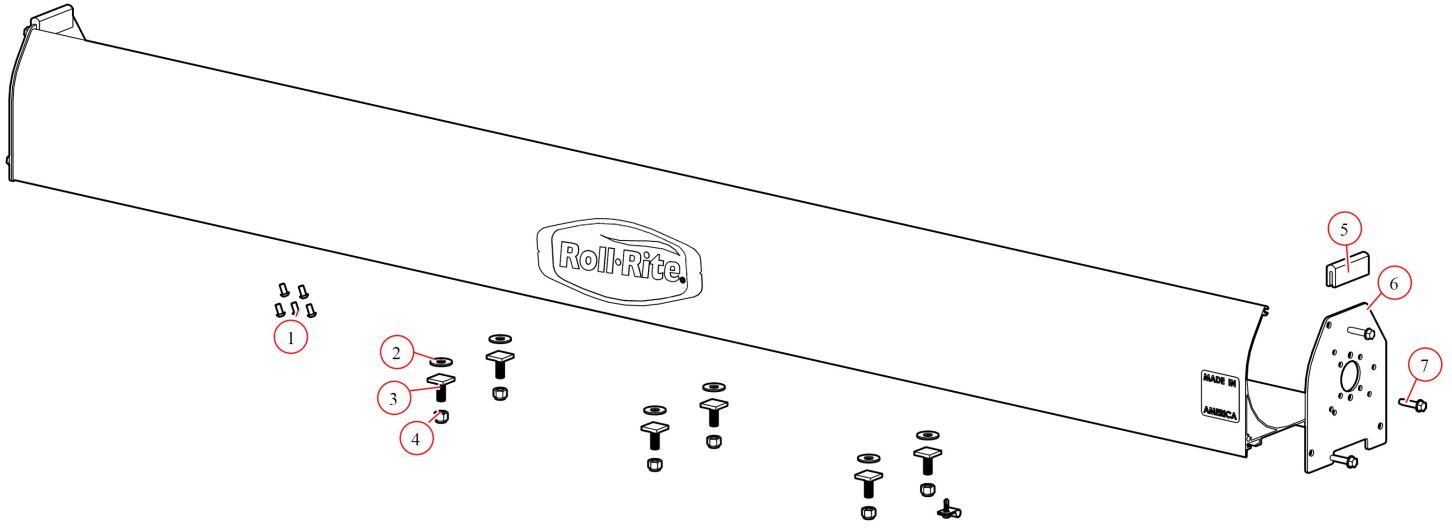
Part Number: 36485

36485 Spool Kit, Hydra-Lock Tarp Spool w/98" Integrated Housing S/N: HYD



| Bom ID | Part# | Description | qty |
|--------|-------|--|-----|
| 1 | 10180 | Hydra-Lock Motor. 3 Year Warranty :S/N: | 1 |
| 2 | 36164 | Housing. Spool 98" Aluminum Integrated Housing | 1 |
| 3 | 31030 | Axle. 97" Pre-Threaded Tarp Axle w/Stub Shaft | 1 |
| 4 | 31050 | Bearing. 3/4" Flanged Axle Bearing with bolts | 1 |

36164 Housing, Spool 98" Aluminum Integrated Housing



| Bom ID | Part# | Description | qty |
|--------|-------|--|-----|
| 1 | 18260 | Bolt. 5/16" x 5/8" Button Head Bolt - Zinc Plated | 5 |
| 2 | 18412 | Washer. 1/2" Flat Zinc | 6 |
| 3 | 18245 | Bolt. T-Bolt 1/2-13NCx1.75 for GAB | 6 |
| 4 | 18631 | Nut. 1/2" Nylock Nut | 6 |
| 5 | 36300 | Bumper. Rubber Bumper for Tarp Spool (each) | 2 |
| 6 | 36331 | Bracket. Int Housing Aluminum Endcaps - Drivers Side | 2 |
| 7 | 18120 | Bolt. 3/8" x 1-1/2" Thread Cutting Screw Hex Washer Hd | 6 |