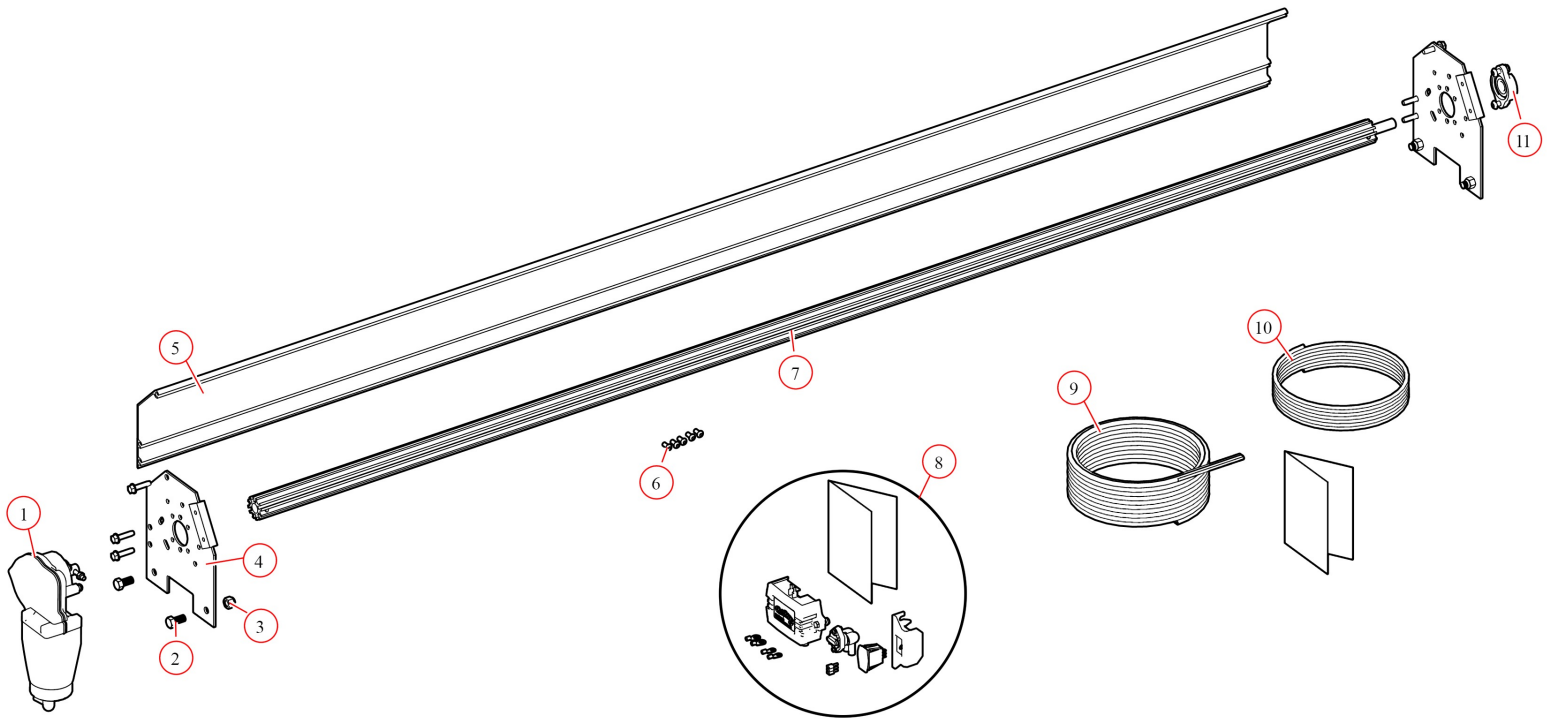


[Spool Kit. TarpMaster Tarp Spool w/103" Axle Spool Kit & Wind](#)

[Deflector - S/N: TM](#)

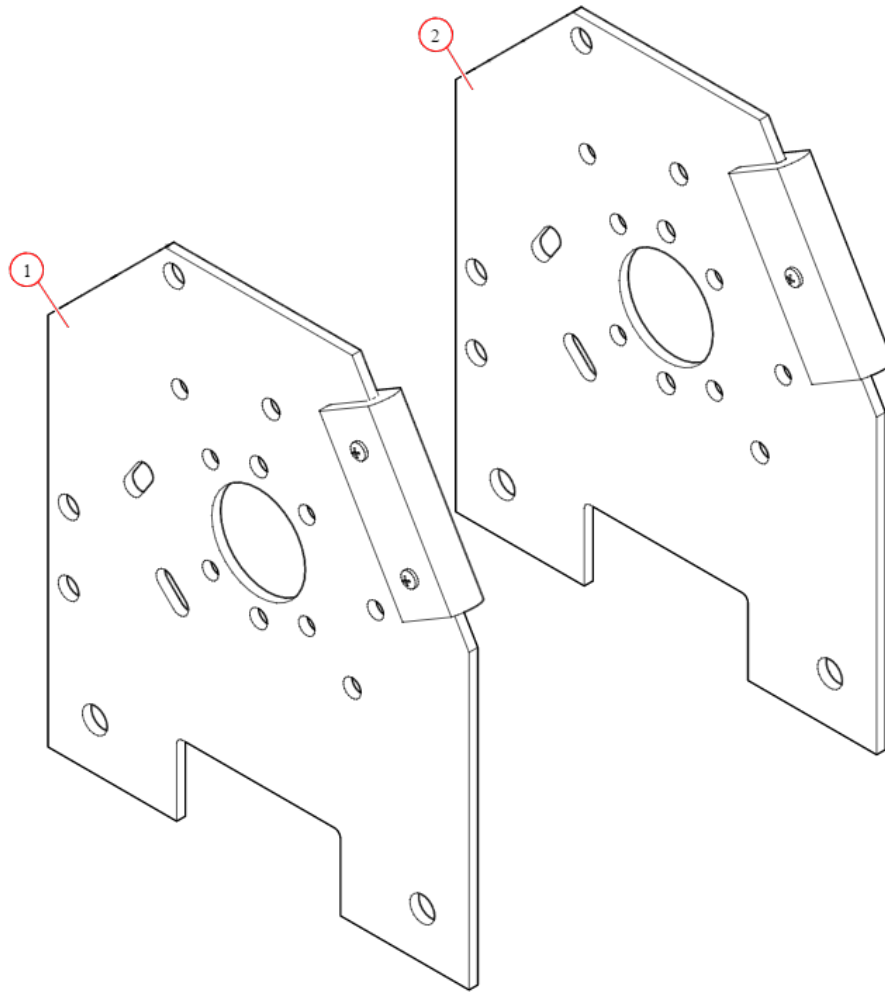
**Part Number: 36480**

36480 Spool Kit, TarpMaster Gear Motor w/103" Axle Spool Kit w/WD - S/N: TM



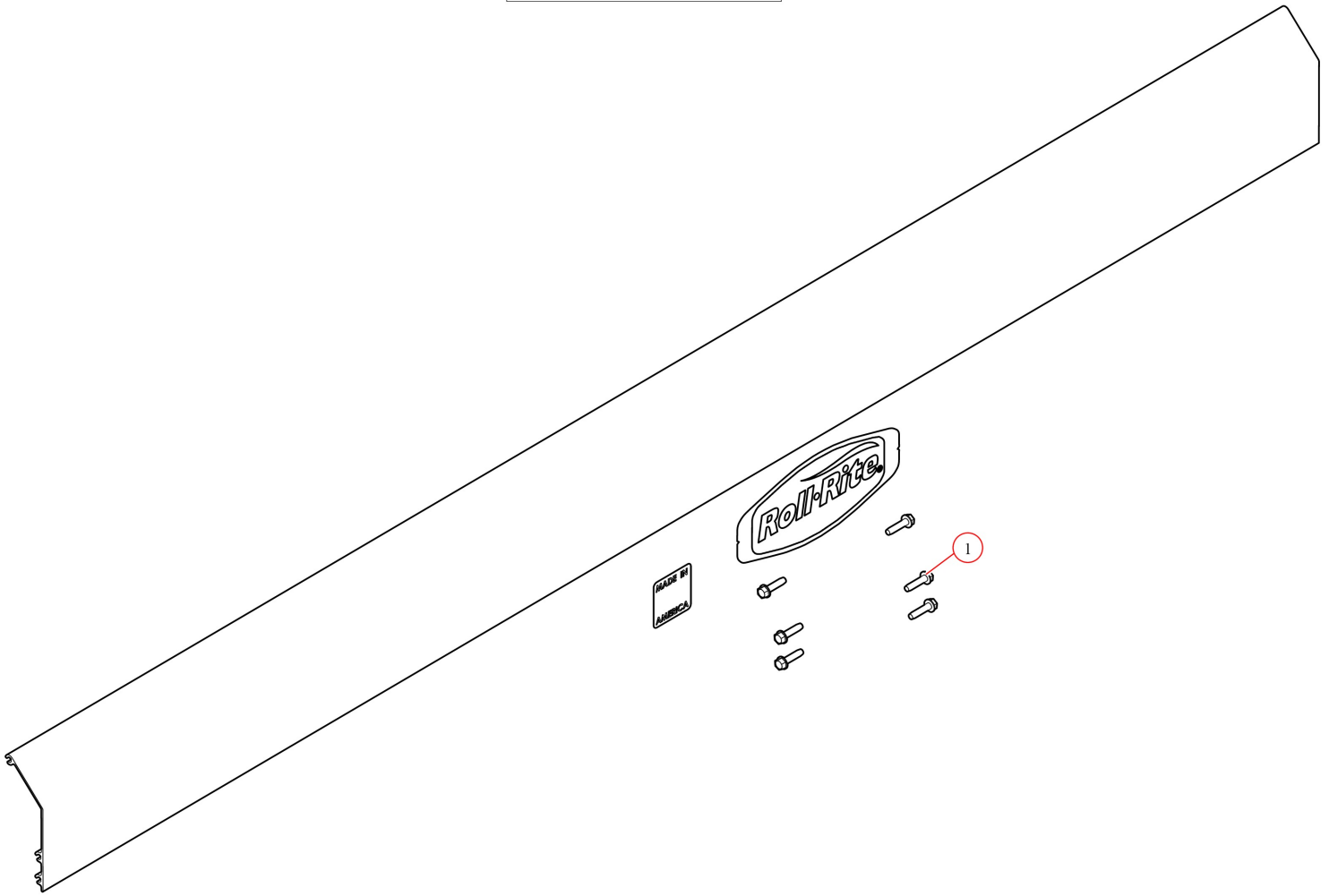
Bom ID	Part#	Description	qty
1	10310	TarpMaster Motor 12V. 5 Year Warranty :S/N:	1
2	18294	Bolt. 1/2" x 1" Hex Head Bolt	4
3	18631	Nut. 1/2" Nylock Nut	4
4	36340	Bracket. Aluminum Mounting Brackets - PAIR	1
5	36350	Wind Deflector. 103" Tall w/ Hardware	1
6	18260	Bolt. 5/16" x 5/8" Button Head Bolt - Zinc Plated	5
7	31040	Axle. 103" Pre-ThreadedTarp Axle w/Stub Shaft	1
9	100743	Wire. 8 ga. Dual Conductor(55')	1
10	11411	Wire. 16/3-Conductor - 15ft	1
11	31050	Bearing. 3/4" Flanged Axle Bearing with bolts	1

36340 Bracket, Aluminum Mounting Brackets - PAIR



Bom ID	Part#	Description	qty
1	36338	Bracket. Aluminum Mounting Bracket - Driver Side	1
2	36339	Bracket. Aluminum Mounting Bracket - Passenger Side	1

36350 Wind Deflector, 103" wide



Bom ID	Part#	Description	qty
1	18120	Bolt. 3/8" x 1-1/2" Thread Cutting Screw Hex Washer Hd	6