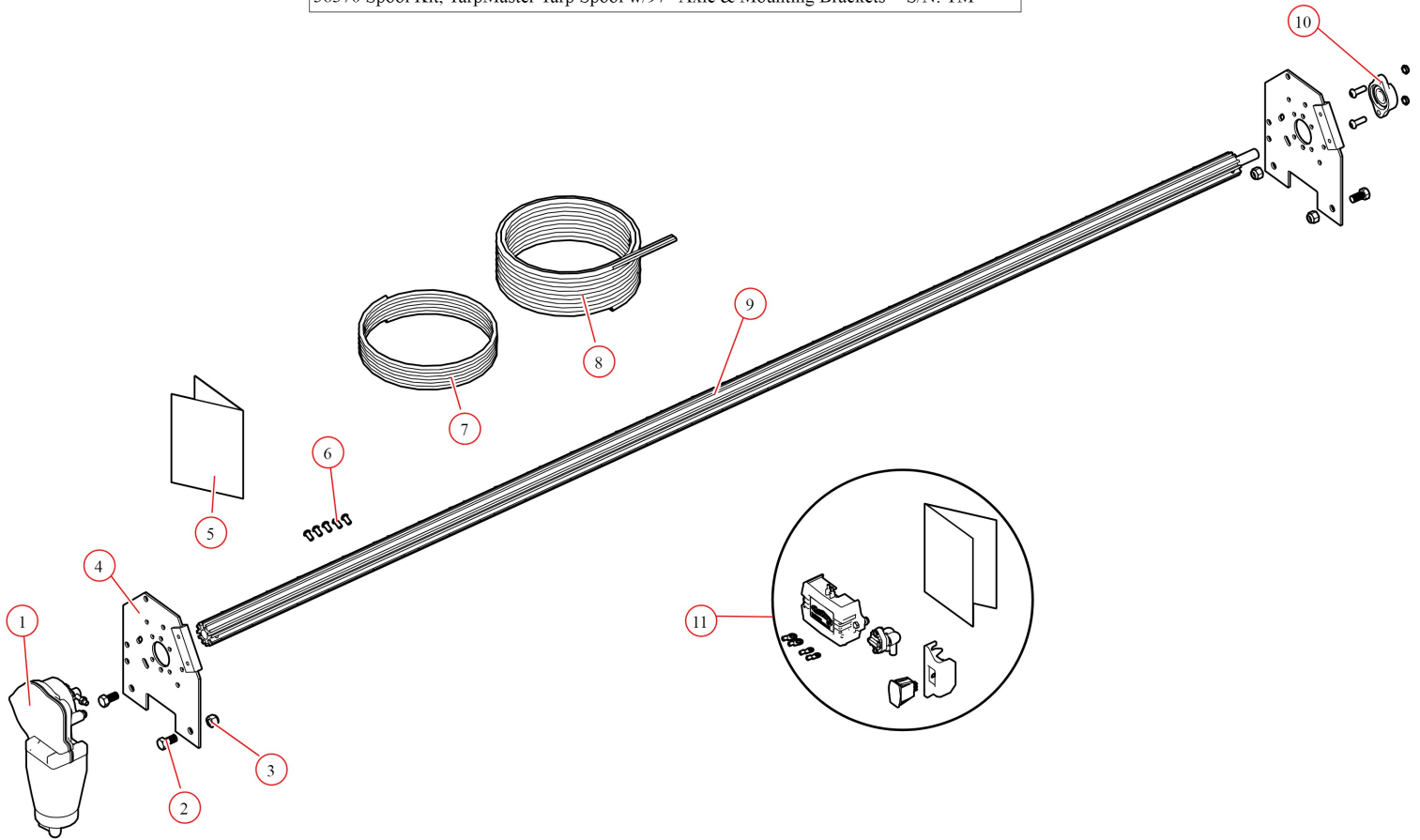


[Pool Kit. TarpMaster Tarp Spool w/97" Axle & Mounting Brackets](#)

[- S/N: TM](#)

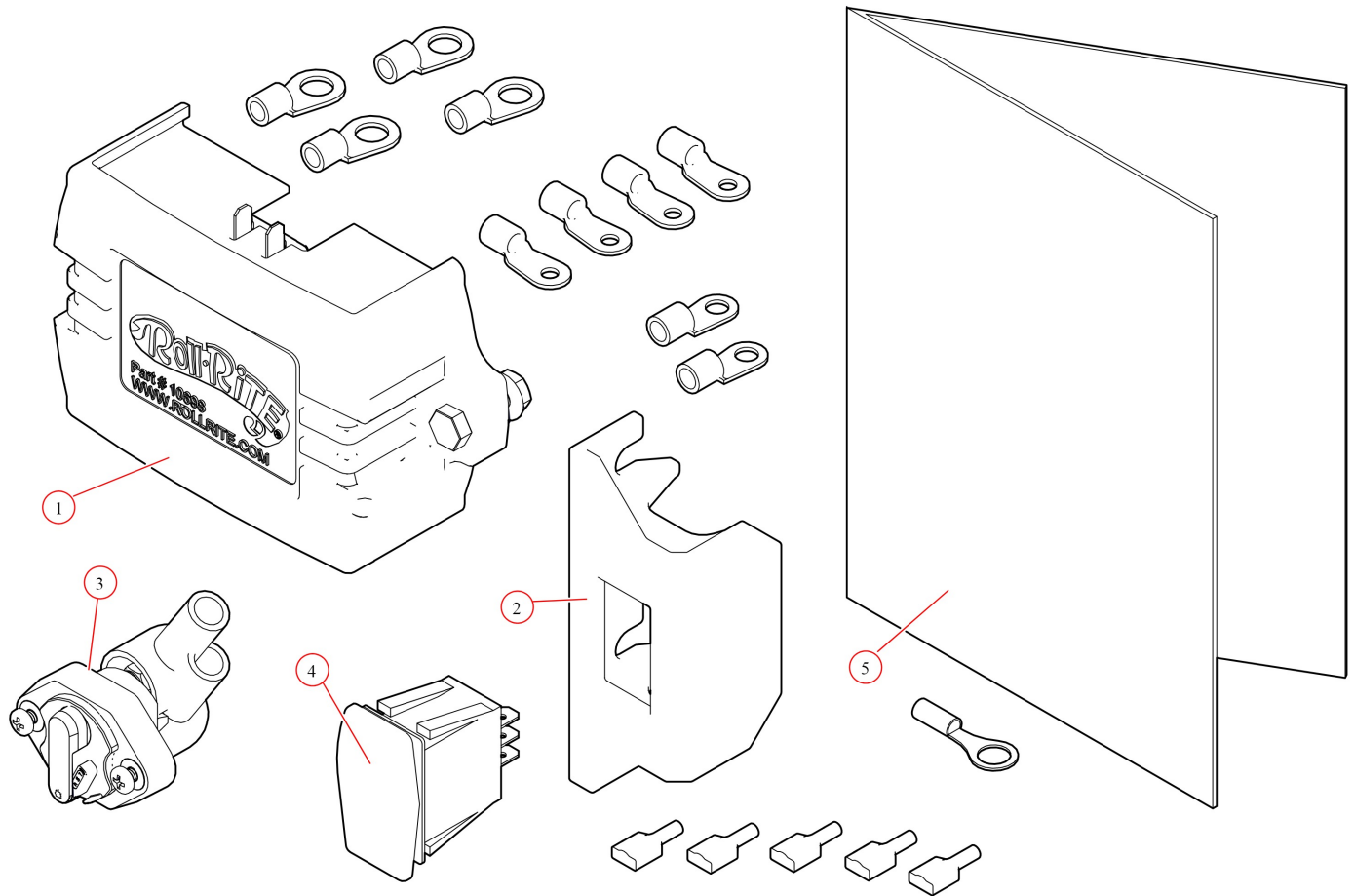
**Part Number: 36370**

36370 Spool Kit, TarpMaster Tarp Spool w/97" Axle & Mounting Brackets - S/N: TM



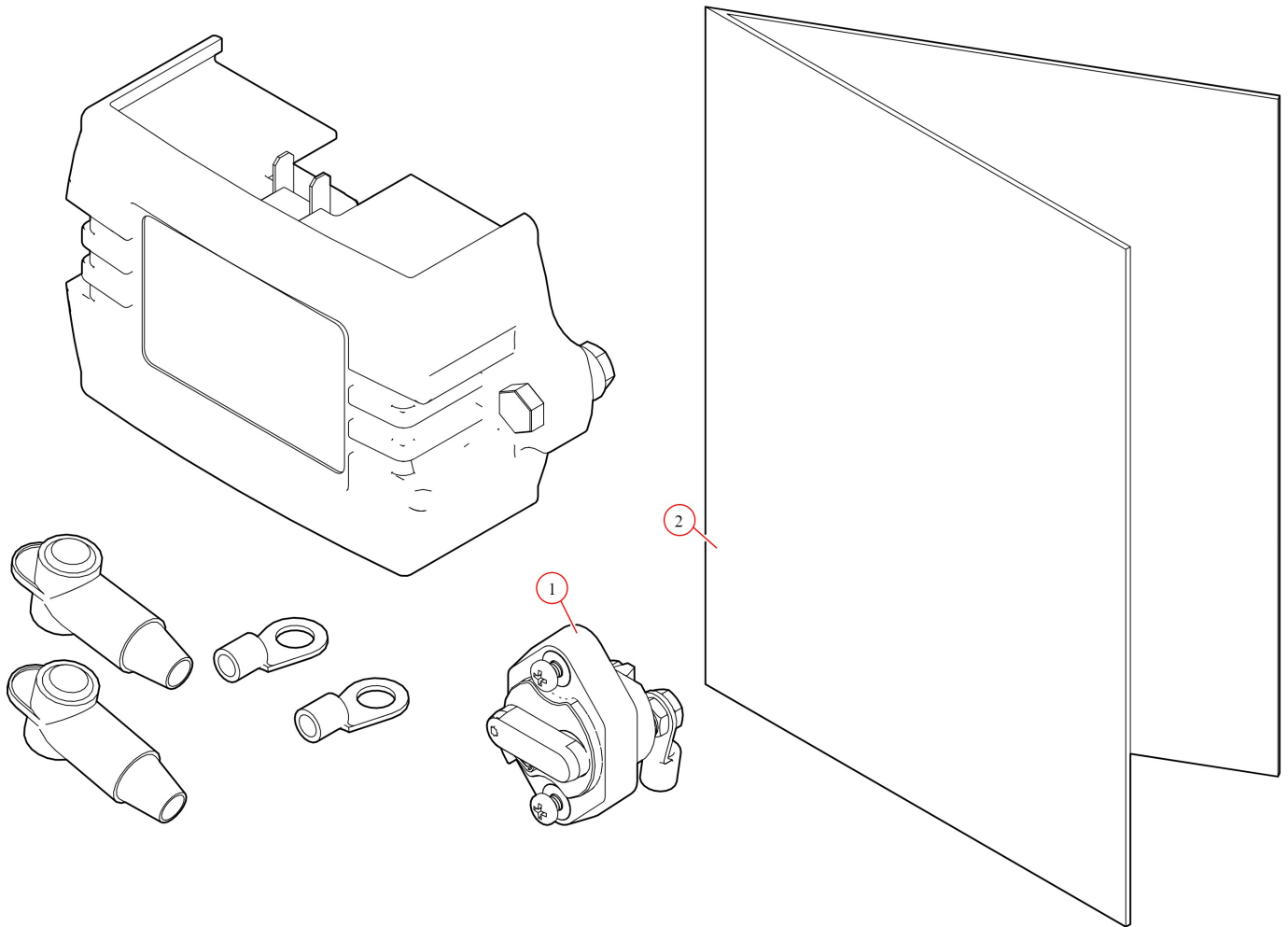
Bom ID	Part#	Description	qty
1	10310	TarpMaster Motor 12V. 5 Year Warranty :S/N:	1
2	18294	Bolt. 1/2" x 1" Hex Head Bolt	4
3	18631	Nut. 1/2" Nylock Nut	4
4	36340	Bracket. Aluminum Mounting Brackets - PAIR	1
5	101501	Instructions. Front to Back Installation	1
6	18260	Bolt. 5/16" x 5/8" Button Head Bolt - Zinc Plated	5
7	11411	Wire. 16/3-Conductor - 15ft	1
8	100743	Wire. 8 ga. Dual Conductor(55')	1
9	31030	Axle. 97" Pre-Threaded Tarp Axle w/Stub Shaft	1
10	31050	Bearing. 3/4" Flanged Axle Bearing with bolts	1
11	10914	Electric Kit. With 10698 12V Relay and Rocker Switch	1

10914 Electric Kit, With 10698 Relay and Rocker Switch



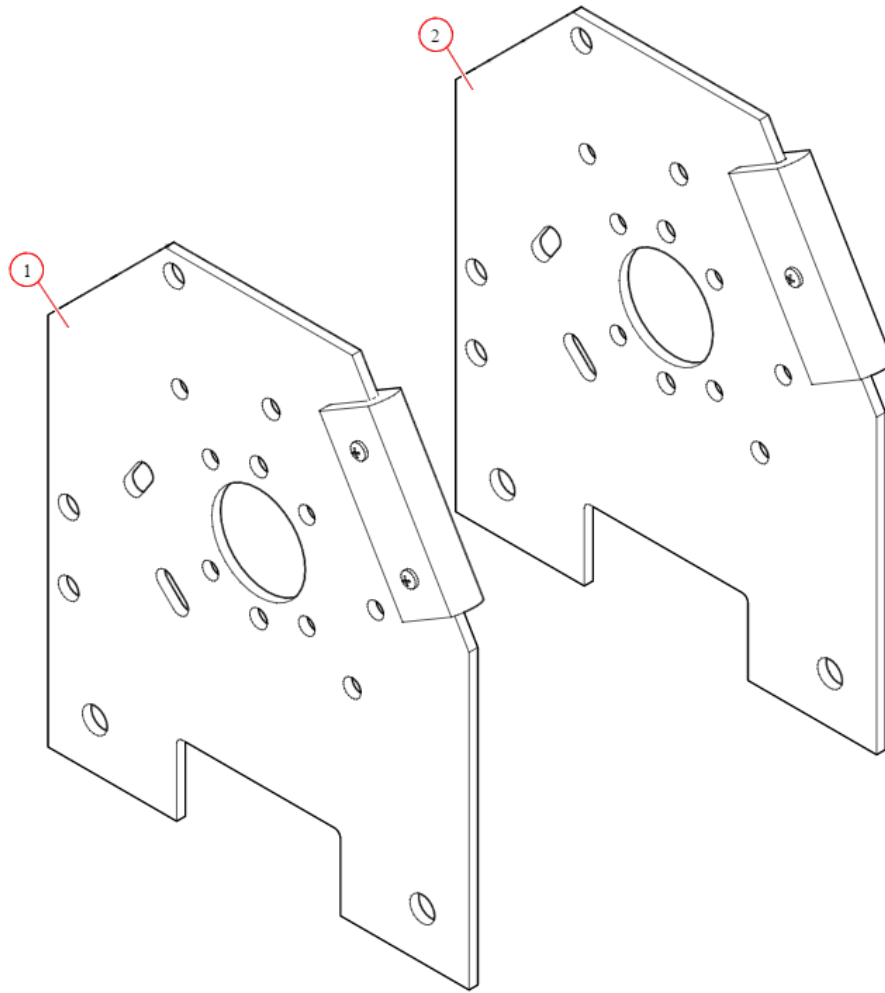
Bom ID	Part#	Description	qty
1	10695	Relay Kit. HD Mechanical Relay w/ 35 Amp Manual Reset Breaker &...	1
2	19300	Switch. Rocker (Open/Close)	1
3	10390	Bracket. Mounting for Rocker Switch	1
4	101784	Instructions. 10698 12 volt wiring Diagram	1

10695 Relay, HD(12V) w/ 35 amp Manual Reset Breaker & Terminal



Bom ID	Part#	Description	qty
1	17918	Breaker. 35A Outdoor Manual Reset Circuit Breaker	1
2	101784	Instructions. 10698 12 volt wiring Diagram	1

36340 Bracket, Aluminum Mounting Brackets - PAIR



Bom ID	Part#	Description	qty
1	36338	Bracket. Aluminum Mounting Bracket - Driver Side	1
2	36339	Bracket. Aluminum Mounting Bracket - Passenger Side	1