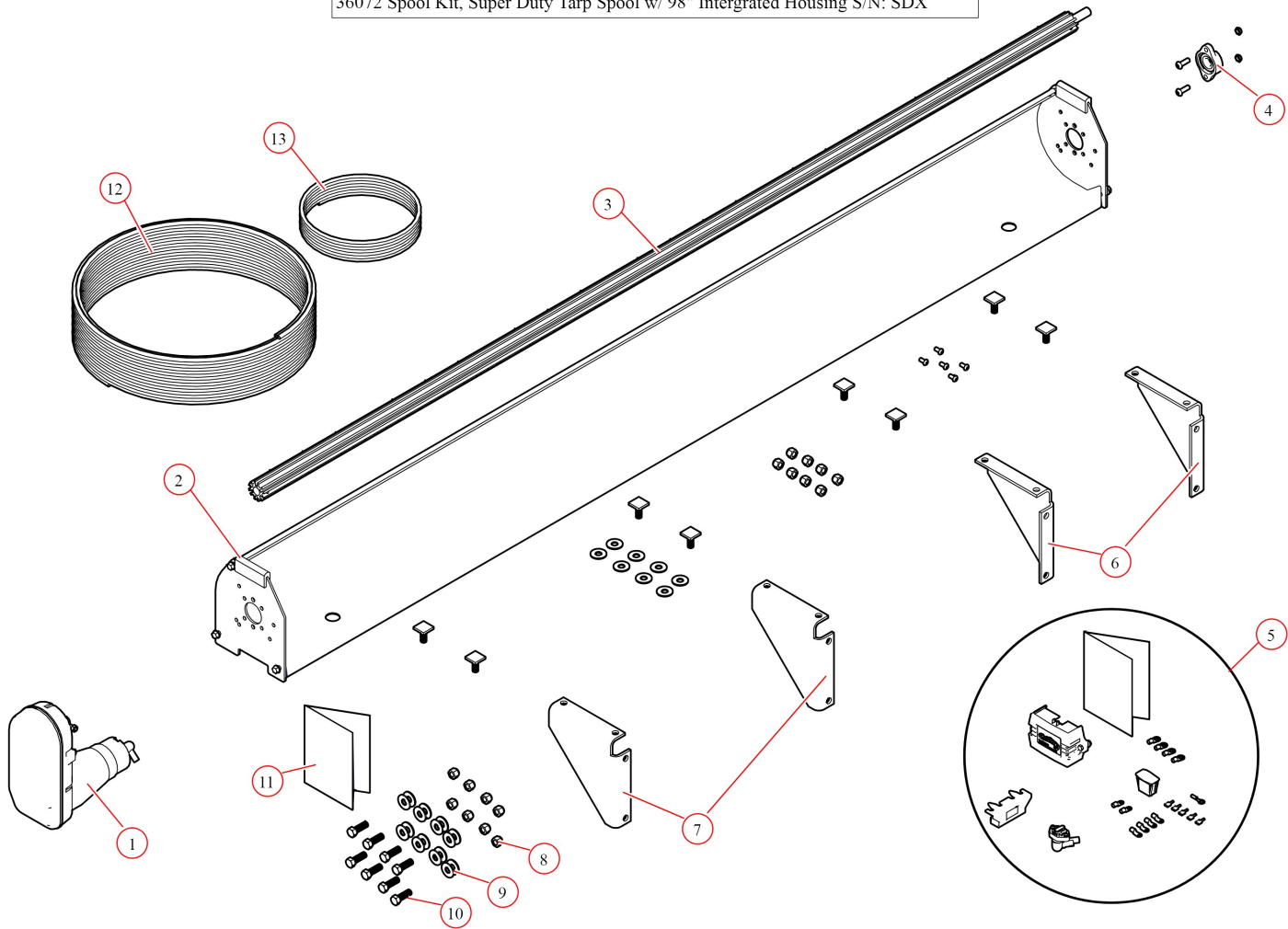


Spool Kit. Super Duty Tarp Spool w/ 98" Integrated Housing - S/N:

SD

Part Number: 36072

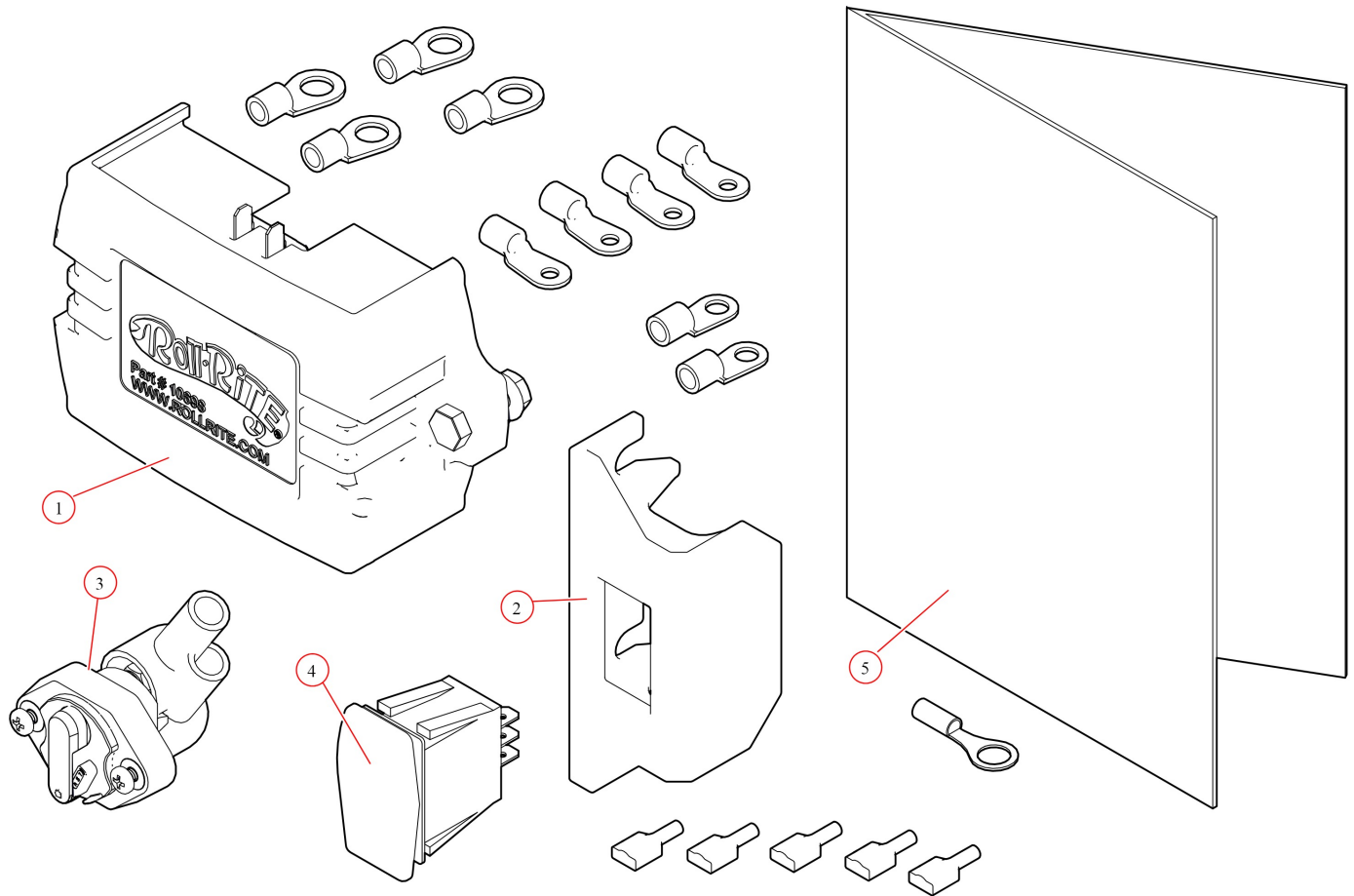
36072 Spool Kit, Super Duty Tarp Spool w/ 98" Integrated Housing S/N: SDX



Bom ID	Part#	Description	qty
1	10122	Super Duty Motor 12V. 5 Year Warranty :S/N:	1
2	36164	Housing. Spool 98" Aluminum Integrated Housing	1
3	31030	Axle. 97" Pre-Threaded Tarp Axle w/Stub Shaft	1
4	31050	Bearing. 3/4" Flanged Axle Bearing with bolts	1
5	10914	Electric Kit. With 10698 12V Relay and Rocker Switch	1
6	36856	Bracket. Int Housing Gusset - Left (ea)	1
7	36858	Bracket. Int Housing Gusset - Right (ea)	1
8	18631	Nut. 1/2" Nylock Nut	8
9	18412	Washer. 1/2" Flat Zinc	16
10	18296	Bolt. 1/2" x 1 1/2" Hex Head Bolt	8
11	101501	Instructions. Front to Back Installation	1
12	11338	Wire. 6 ga. Dual Conductor - 85ft	1

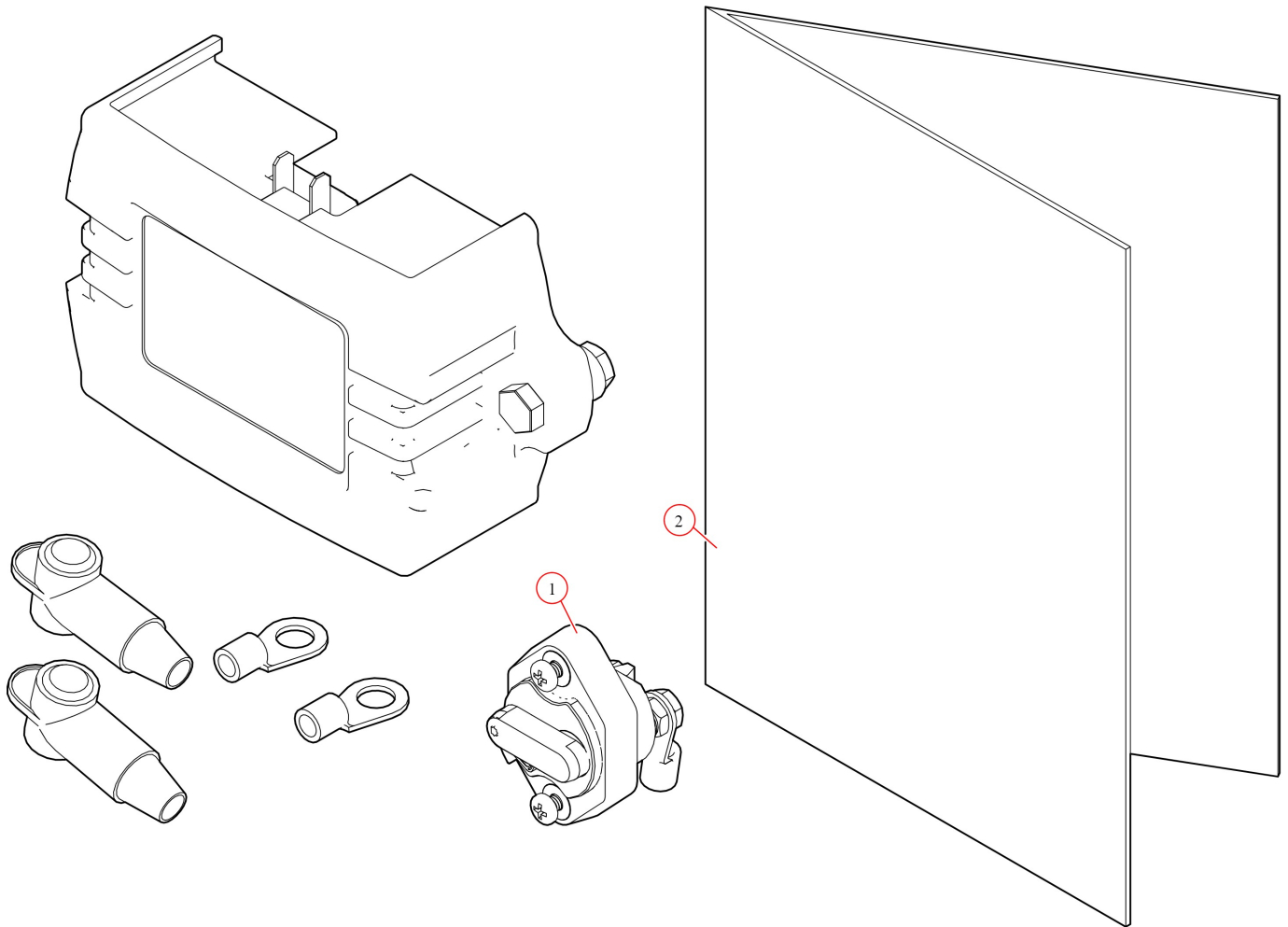
13	11411	Wire. 16/3-Conductor - 15ft	1
----	-------	-----------------------------	---

10914 Electric Kit, With 10698 Relay and Rocker Switch



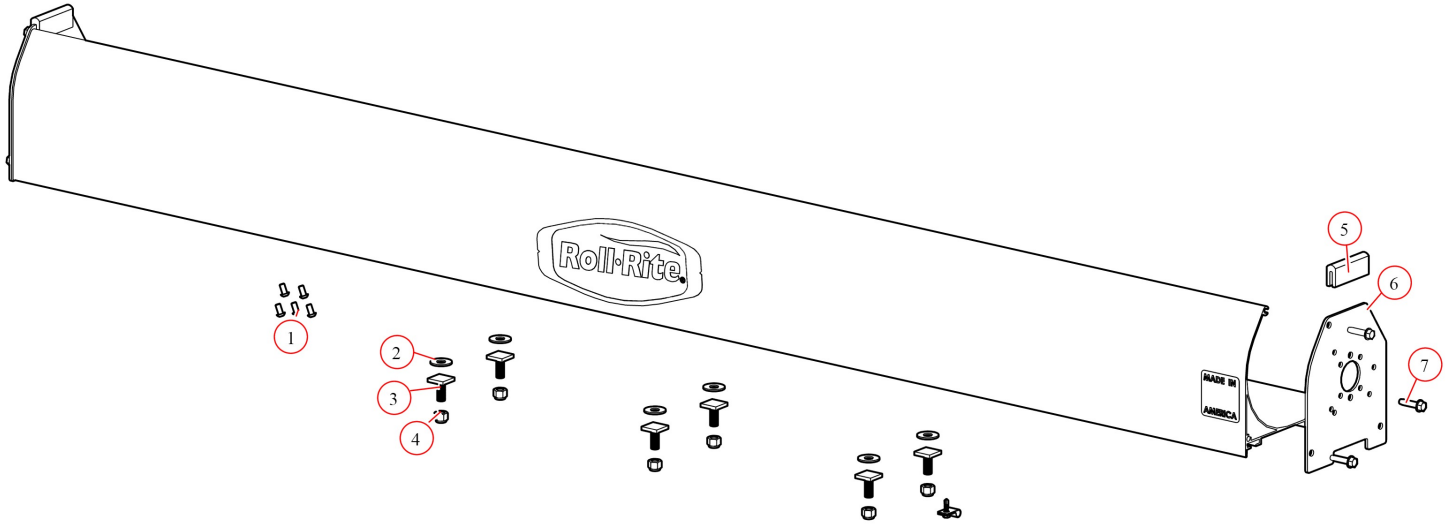
Bom ID	Part#	Description	qty
1	10695	Relay Kit. HD Mechanical Relay w/ 35 Amp Manual Reset Breaker &...	1
2	19300	Switch. Rocker (Open/Close)	1
3	10390	Bracket. Mounting for Rocker Switch	1
4	101784	Instructions. 10698 12 volt wiring Diagram	1

10695 Relay, HD(12V) w/ 35 amp Manual Reset Breaker & Terminal



Bom ID	Part#	Description	qty
1	17918	Breaker. 35A Outdoor Manual Reset Circuit Breaker	1
2	101784	Instructions. 10698 12 volt wiring Diagram	1

36164 Housing, Spool 98" Aluminum Integrated Housing



Bom ID	Part#	Description	qty
1	18260	Bolt. 5/16" x 5/8" Button Head Bolt - Zinc Plated	5
2	18412	Washer. 1/2" Flat Zinc	6
3	18245	Bolt. T-Bolt 1/2-13NCx1.75 for GAB	6
4	18631	Nut. 1/2" Nylock Nut	6
5	36300	Bumper. Rubber Bumper for Tarp Spool (each)	2
6	36331	Bracket. Int Housing Aluminum Endcaps - Drivers Side	2
7	18120	Bolt. 3/8" x 1-1/2" Thread Cutting Screw Hex Washer Hd	6