

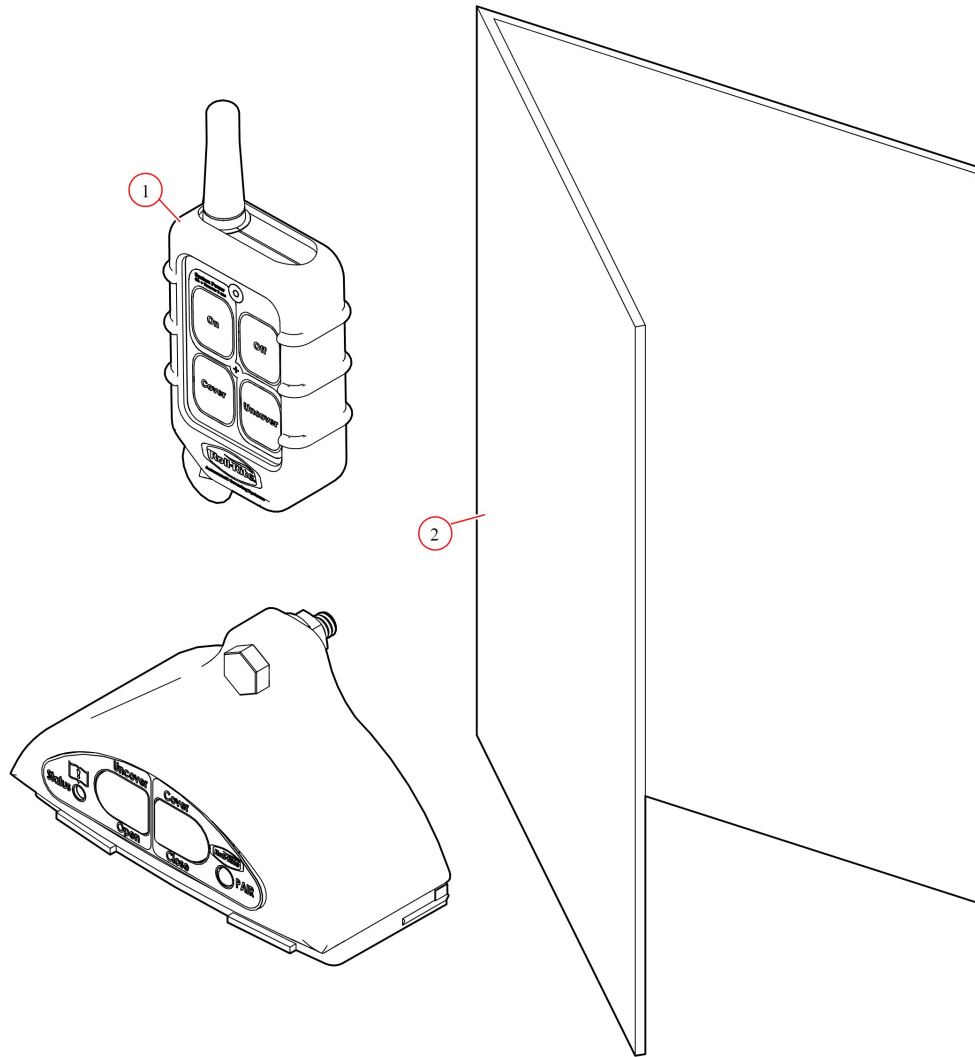


[RF Switch System. 902-928MHz. w/4 Button Fob & Boot. for](#)

[Gen1+ Relay](#)

Part Number: 11094

11094 RFSwitchSystem, 902-928MHz, Gen1+ TarpMotor Relay



Bom ID	Part#	Description	qty
1	19894	RF Remote FOB. 902-928MHz.4 Button w/ Boot. for Gen1+ Relay	1