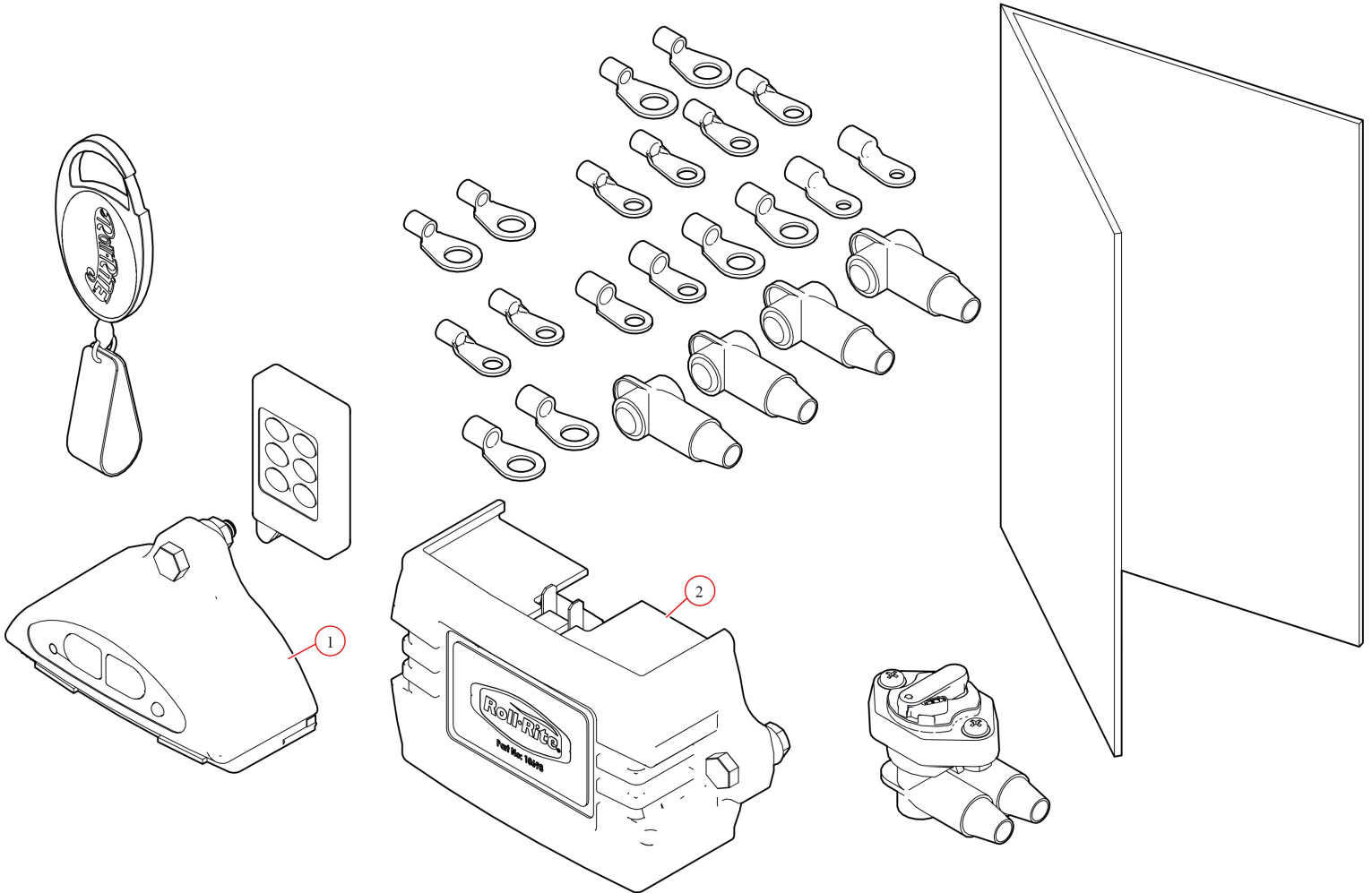


[Electric Kit. 12V With 10698 Relay and RF](#)

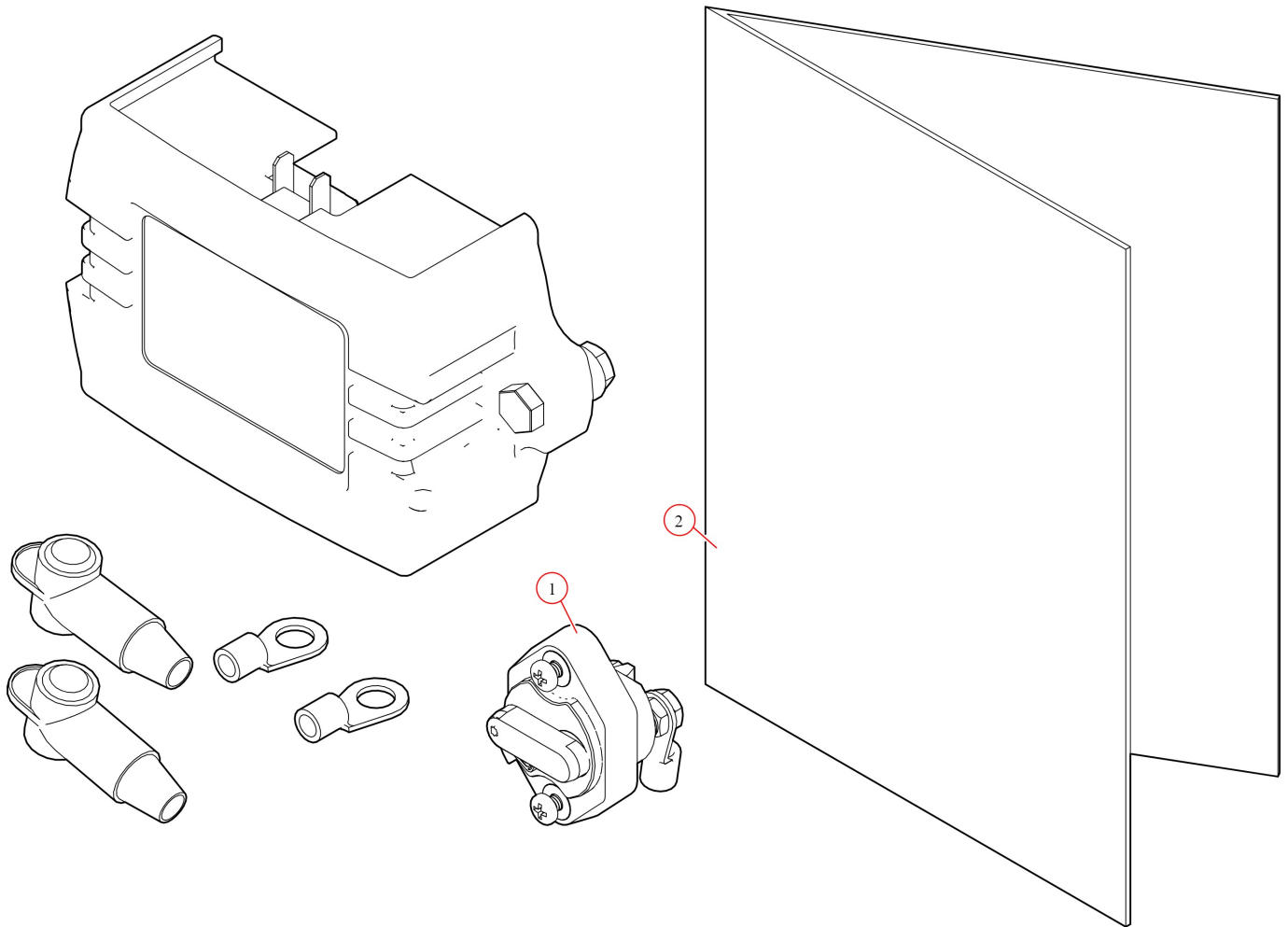
Part Number: 10912

10912 Electric Kit, 12V With 10698 Relay and RF



Bom ID	Part#	Description	qty
1	11000	Switch Kit. RF Receiver w/ keyfob & lanyard	1
2	10695	Relay Kit. HD Mechanical Relay w/ 35 Amp Manual Reset Breaker &...	1

10695 Relay, HD(12V) w/ 35 amp Manual Reset Breaker & Terminal



Bom ID	Part#	Description	qty
1	17918	Breaker. 35A Outdoor Manual Reset Circuit Breaker	1
2	101784	Instructions. 10698 12 volt wiring Diagram	1