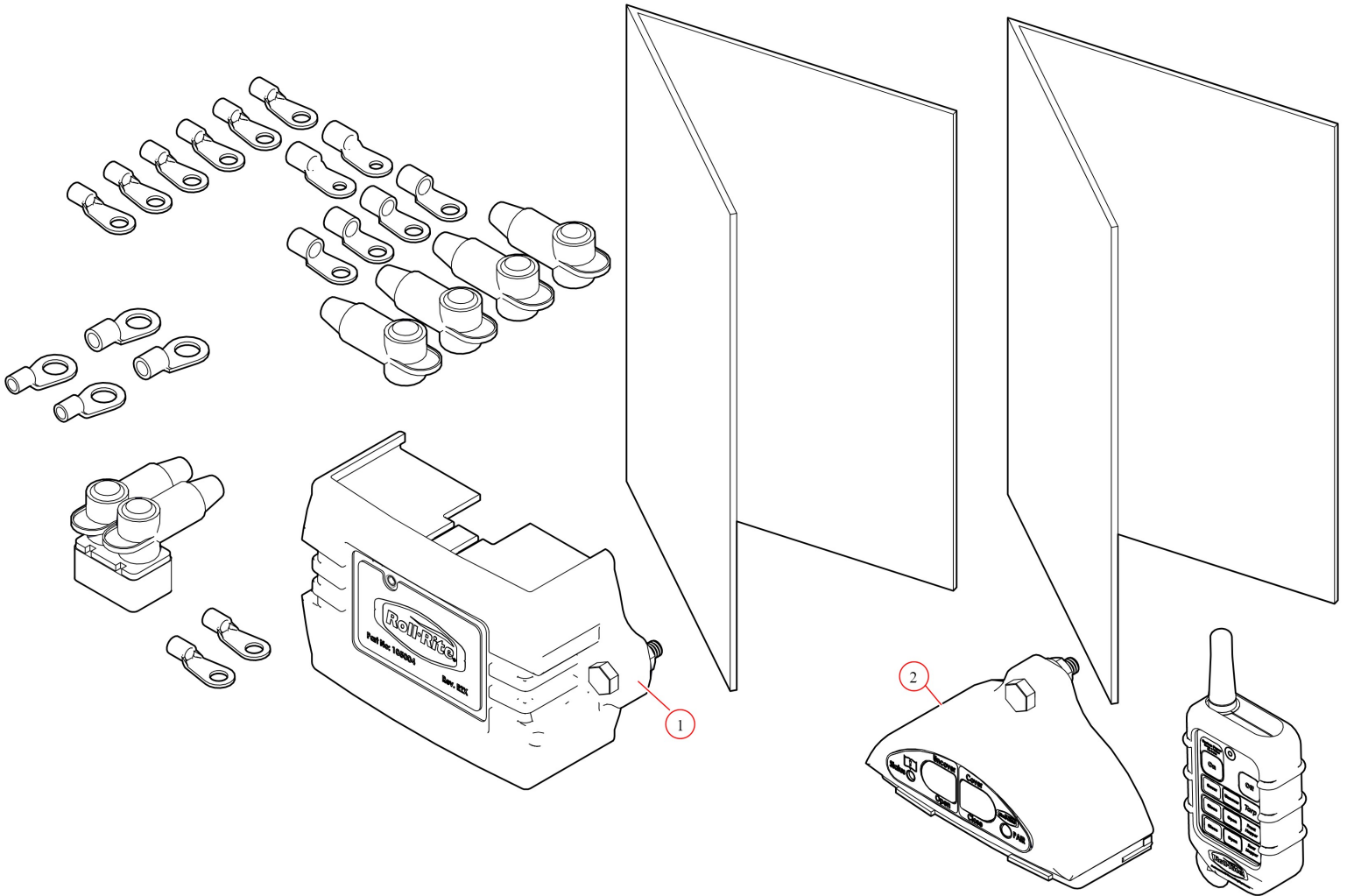


Electric Kit. Gen1+ Solid State Motor Control 12V SWE2X with RF

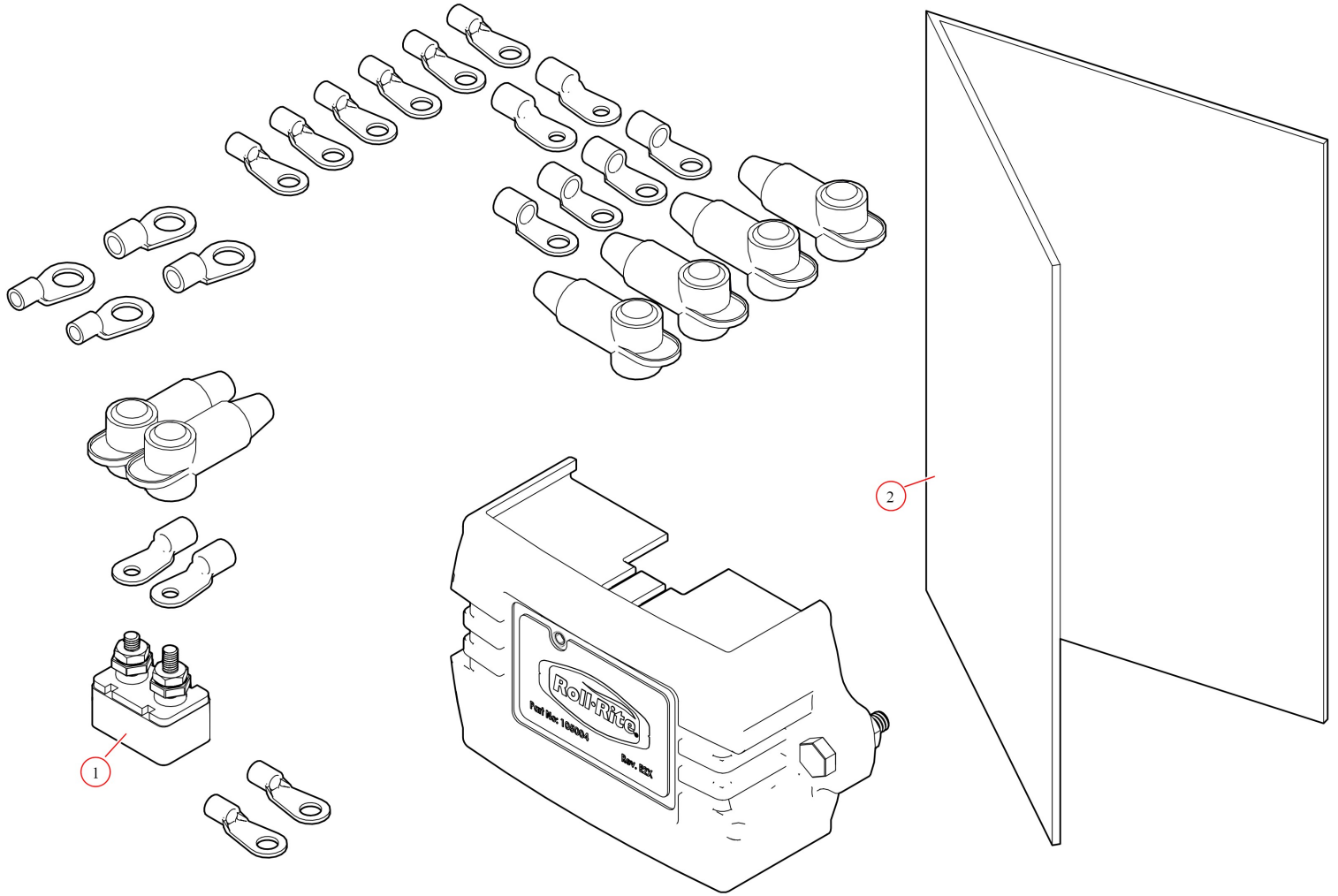
Part Number: 101797

101797 Electric Kit, 12V With TSCM and RF



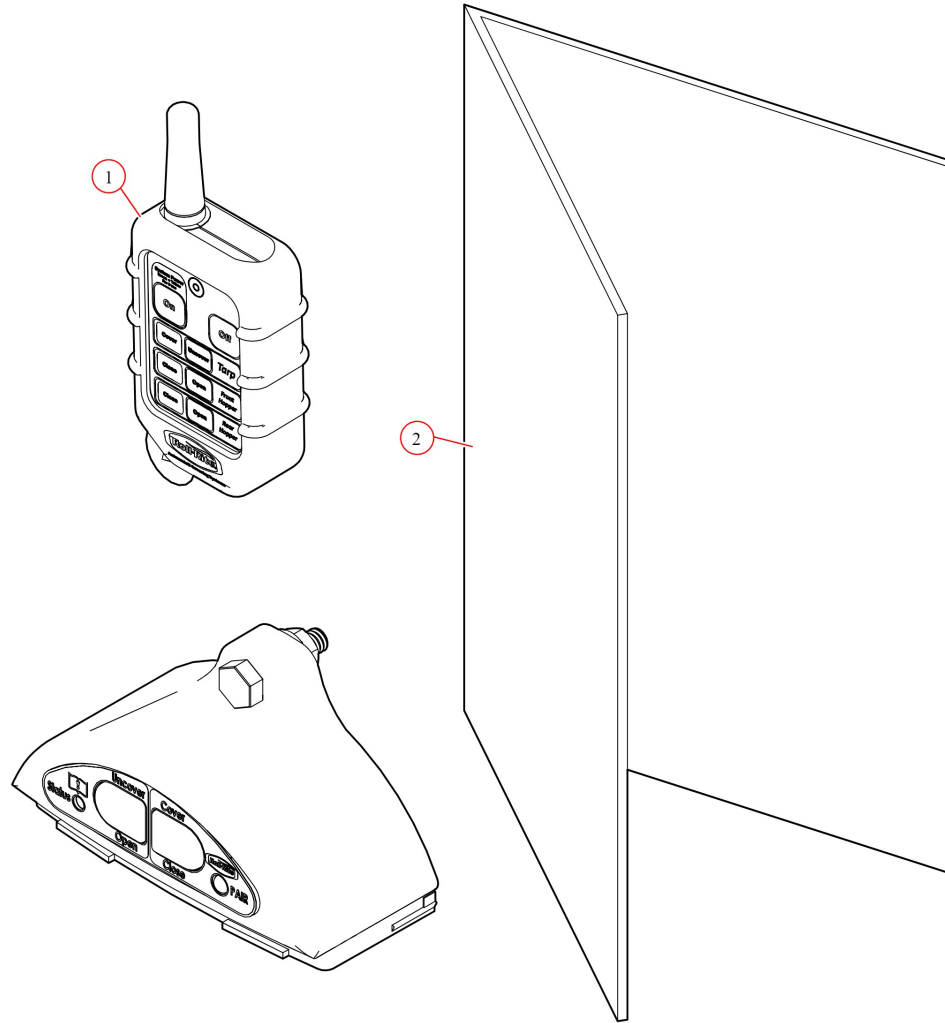
Bom ID	Part#	Description	qty
1	105451	Relay Kit. Gen1+ SS Motor Control 12V SWE2X	1
2	11098	RF Switch System. 902-928MHz. w/8 Button Fob & Boot. for Gen1+ ...	1

105451 Electric Kit, Gen1+ SS Motor Control 12V SWE2X



Bom ID	Part#	Description	qty
1	101259	Breaker. 50 Amp Manual Reset Circuit Breaker for Rite Touch	1
2	105568	Instructions. Switch Wiring	1

11098 RFSwitchSystem, 902-928MHz, Gen1+ HopperMotor Relay



Bom ID	Part#	Description	qty
1	19898	RF Remote FOB. 902-928MHz. 8 Button w/ Boot For Gen1+ Relay	1