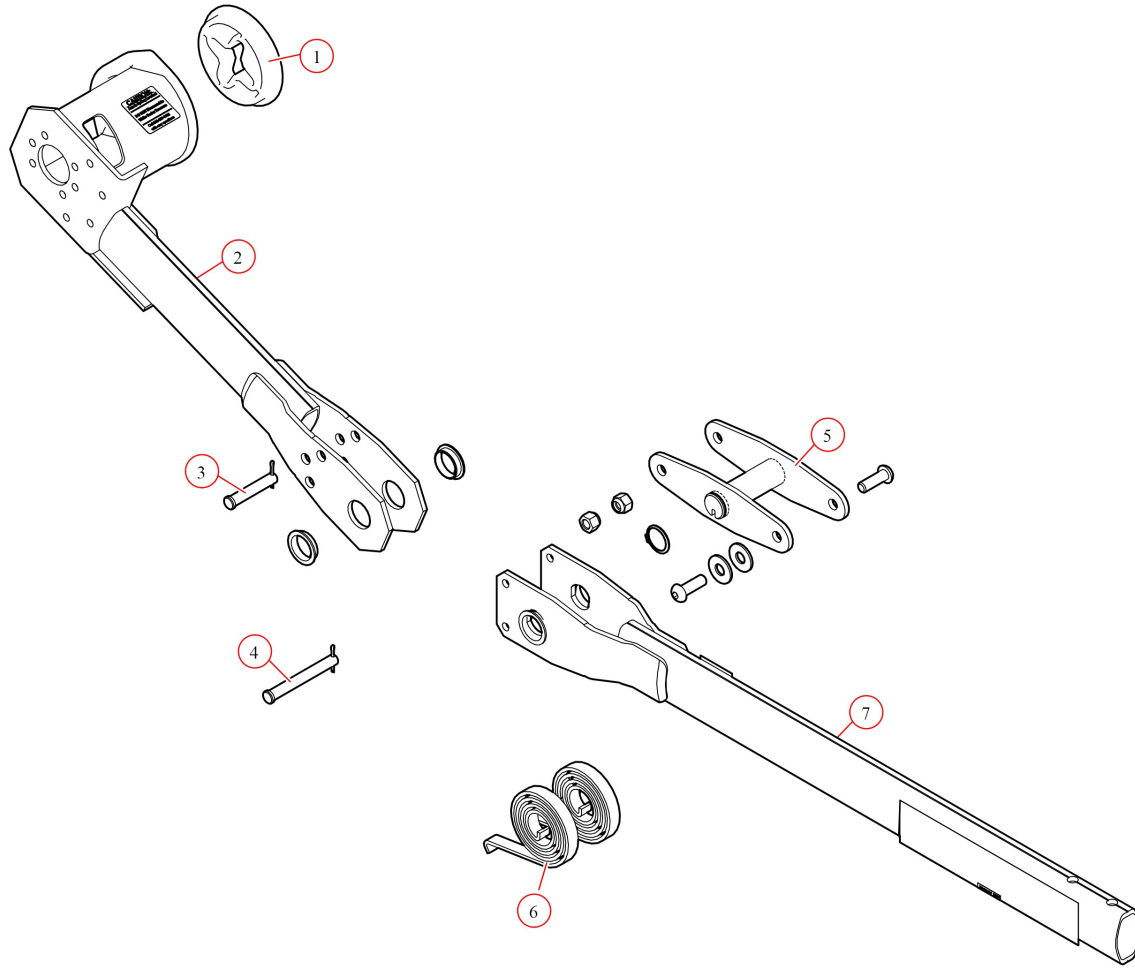


[Pivot Assembled Rear Arm For 37120](#)

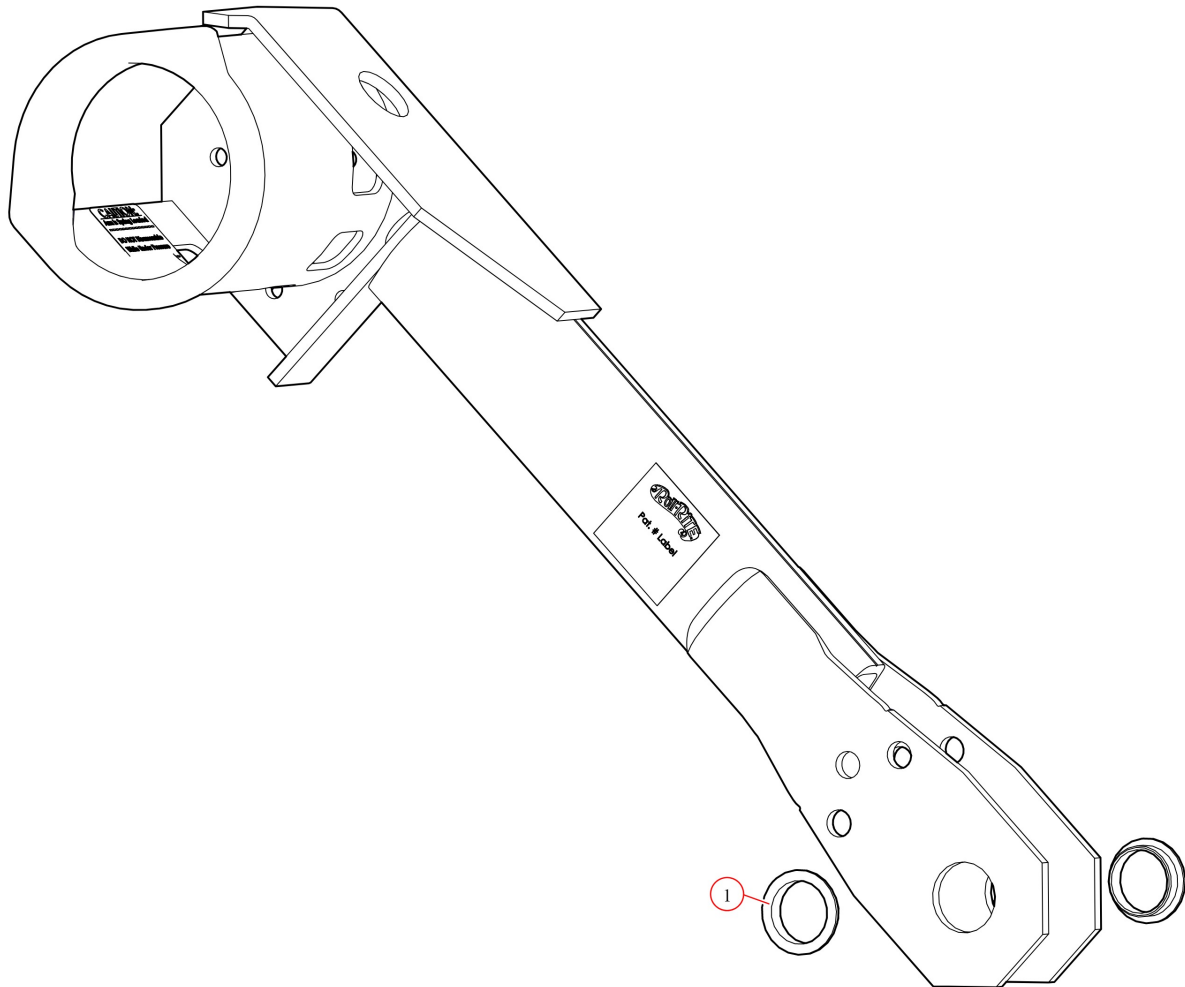
Part Number: 101641

101641 Pivot, Assembled Rear Arm for 37120



Bom ID	Part#	Description	qty
1	37570	Bushing. Axle Stabilizer for Standard Axle	1
2	46890	Pivot Tube. UP w/Side Pl&Spl Brckt for S/S Knpvt frt	1
3	18510	Pin. 1/2" x 2-3/4" Clevis	1
4	47230	Spring. Spiral Torsion Spring 1 1/4"	1
5	47960	Bracket. 3 Sp Knuckle pin w/ stop plate for SS pvt. mtr end	1
7	46980	Pivot Tube. Base w/side plates and set screws SS (31")	1

46890 Pivot Tube, UP w/Side Pl & Spl Brckt for S/S Kn pivot



Bom ID	Part#	Description	qty
1	47040	Bushing. 1 1/4 Poly T- Bushing for Pivot Pin	2