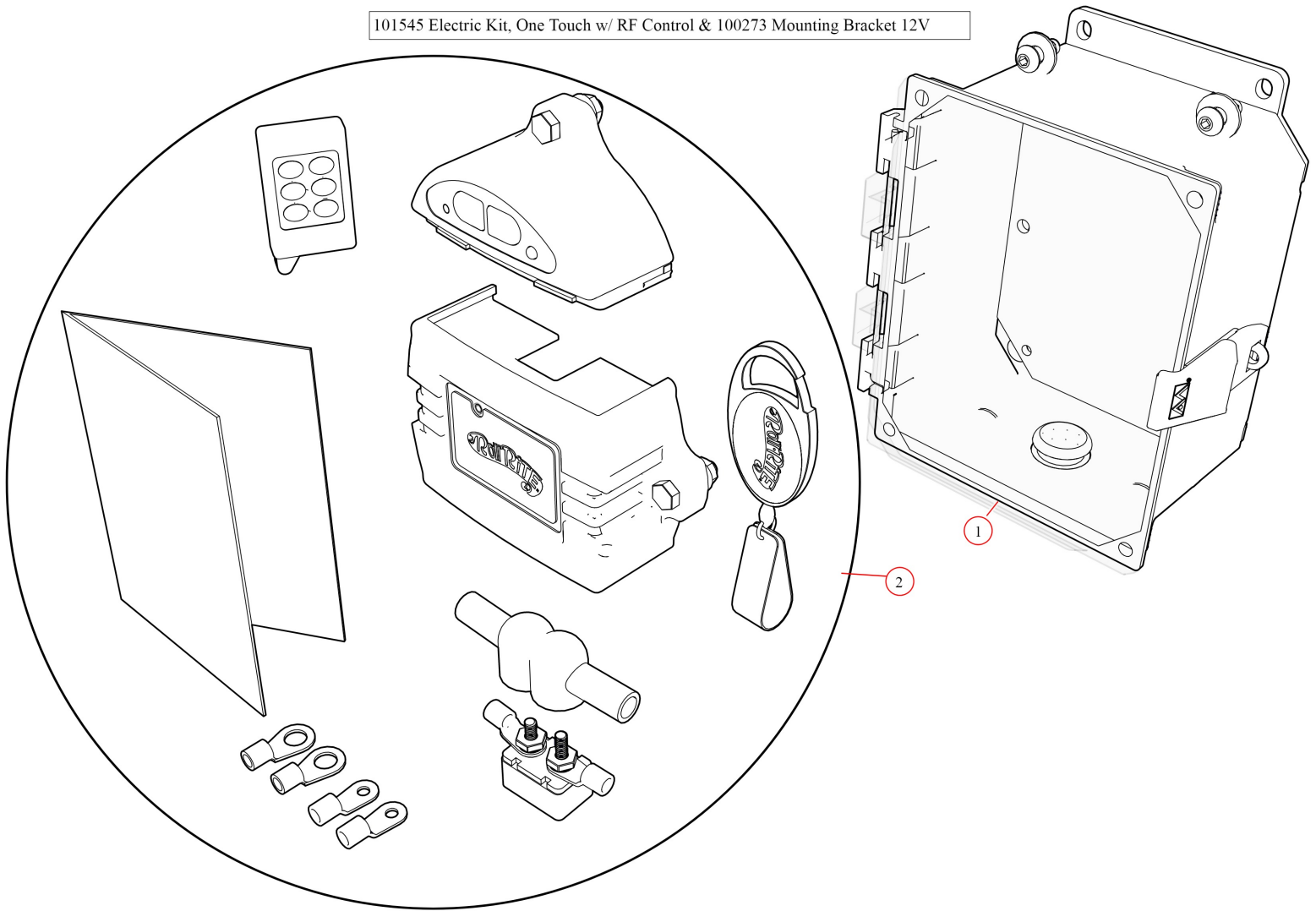


[Electric Kit. One Touch w/ RF Control & Poly Enclosure 12V](#)

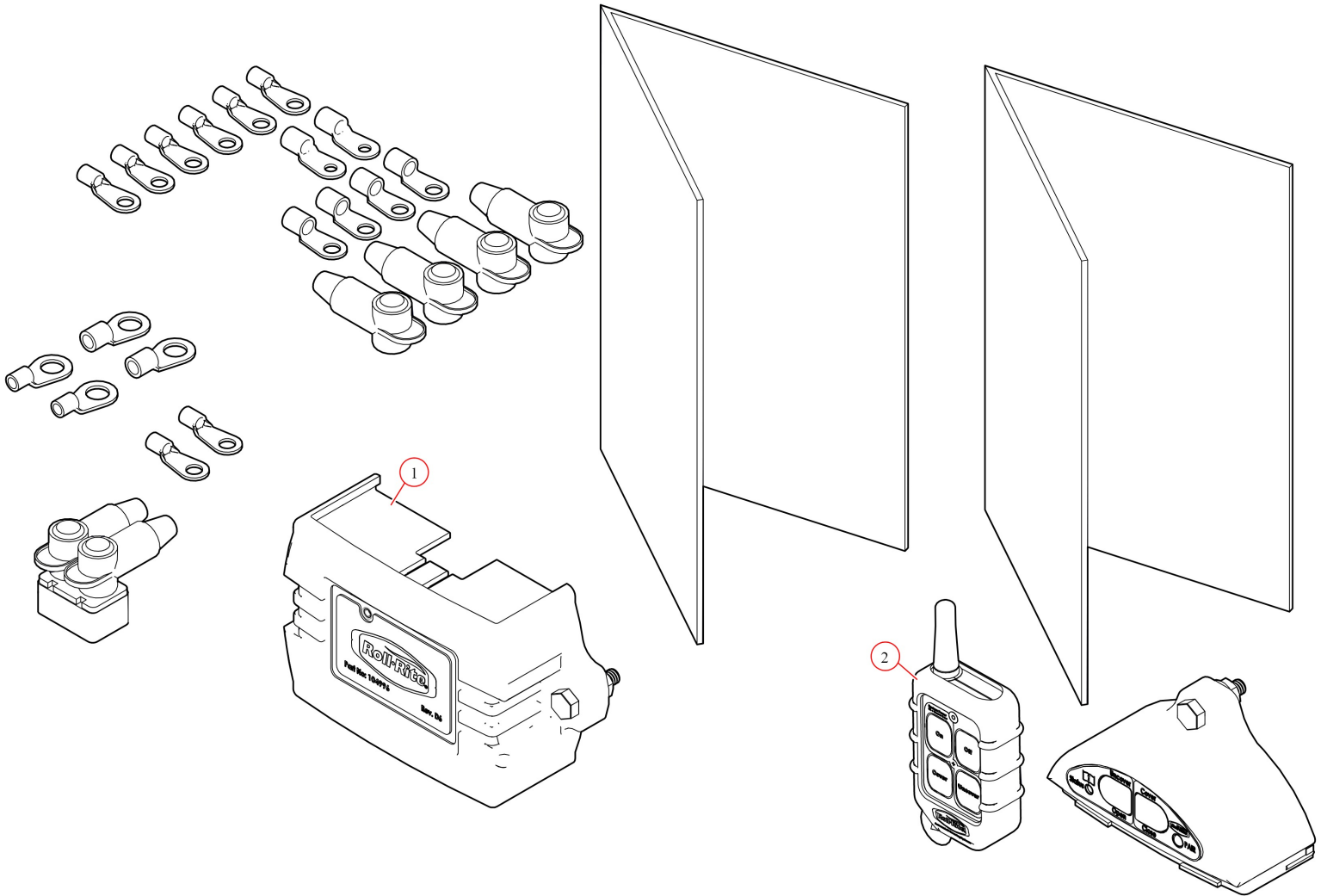
**Part Number: 101545**

101545 Electric Kit, One Touch w/ RF Control & 100273 Mounting Bracket 12V



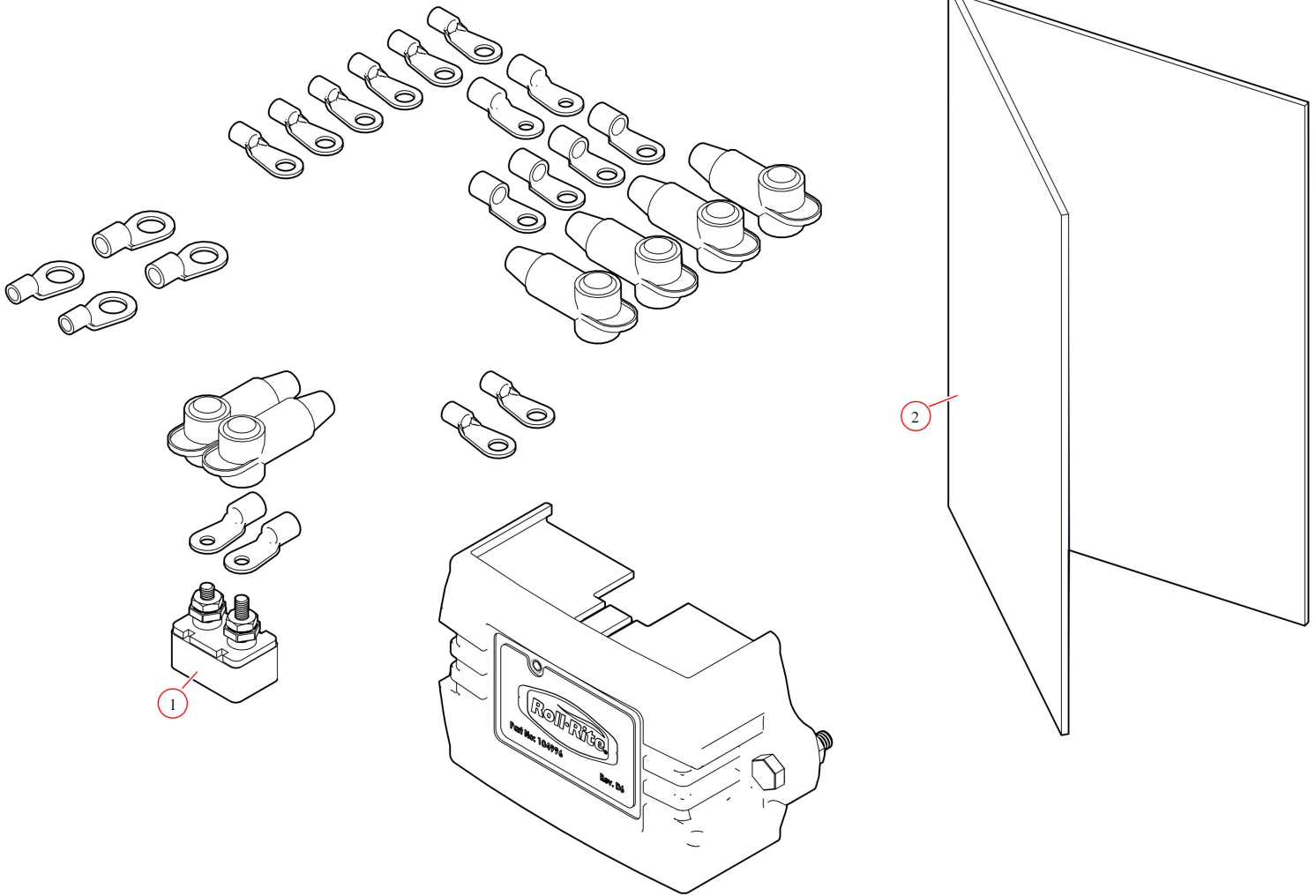
Bom ID	Part#	Description	qty
1	103641	Enclosure. Poly Box with Controller Mounting Plate	1
2	101263	Electric Kit. Gen1+ Solid State Motor Control 12V SWD6 w/ 4 Button...	1

101263 Electric Kit, Gen1+ Solid State Motor Control 12V SWD6 with RF



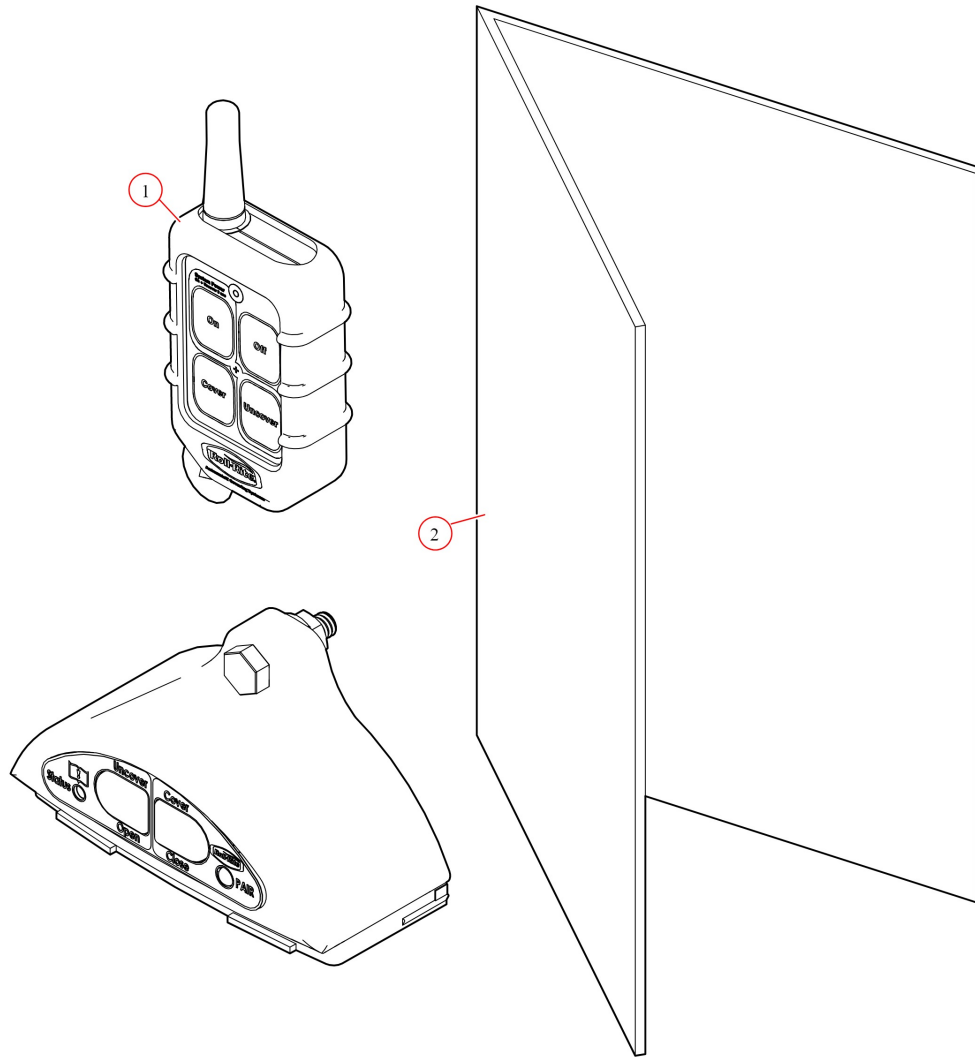
Bom ID	Part#	Description	qty
1	105446	Relay Kit. Gen1+ SS Motor Control 12V SWD6	1
2	11094	RF Switch System. 902-928MHz. w/4 Button Fob & Boot. for Gen1+ ...	1

105446 Electric Kit, Gen1+ SS Motor Control 12V SWD6



Bom ID	Part#	Description	qty
1	101259	Breaker. 50 Amp Manual Reset Circuit Breaker for Rite Touch	1
2	105568	Instructions. Switch Wiring	1

11094 RFSwitchSystem, 902-928MHz, Gen1+ TarpMotor Relay



Bom ID	Part#	Description	qty
1	19894	RF Remote FOB. 902-928MHz.4 Button w/ Boot. for Gen1+ Relay	1