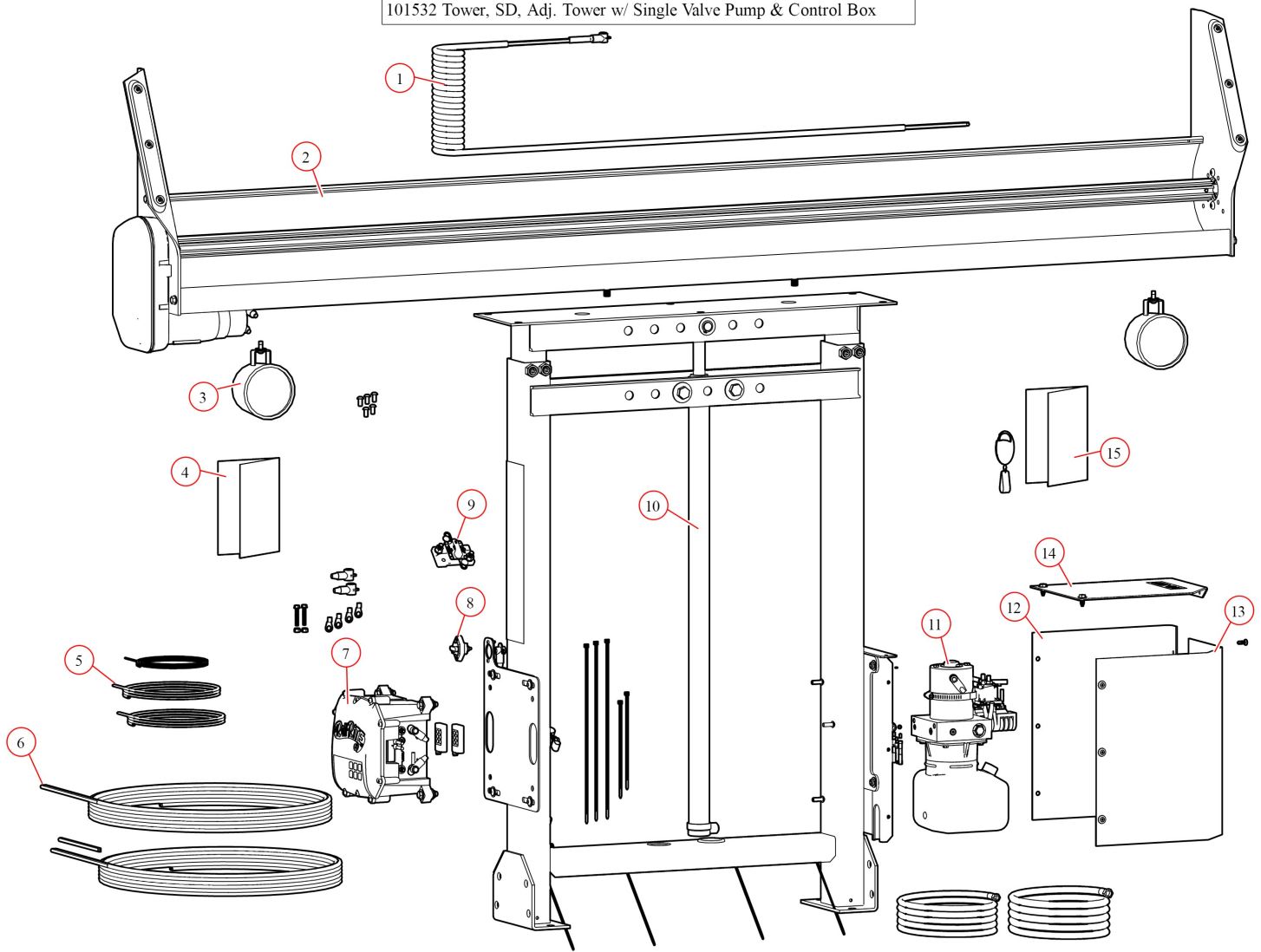


[Tower. SD. Adj. Tower w/ Single Valve Pump & Control Box](#)

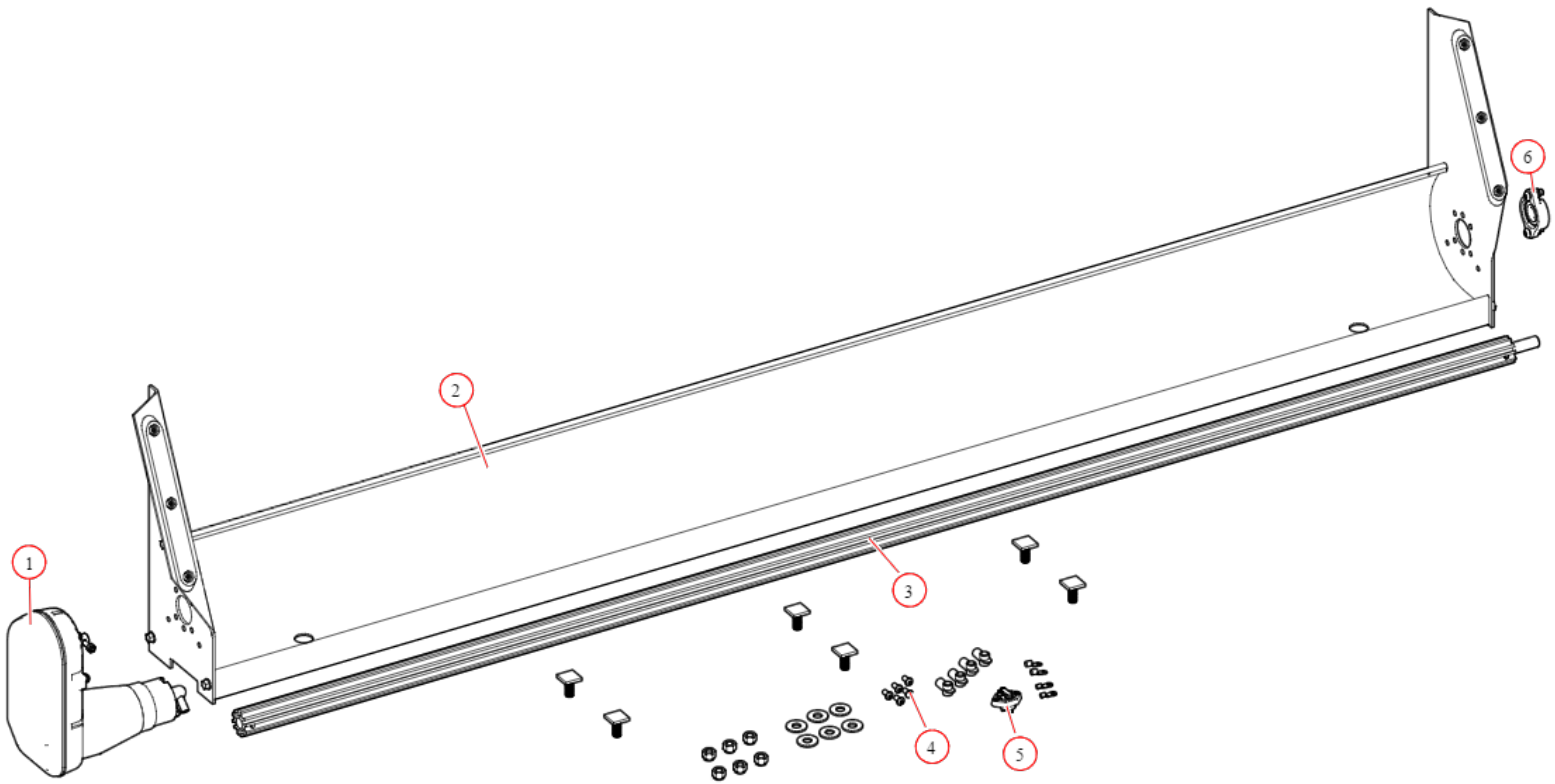
Part Number: 101532

101532 Tower, SD, Adj. Tower w/ Single Valve Pump & Control Box



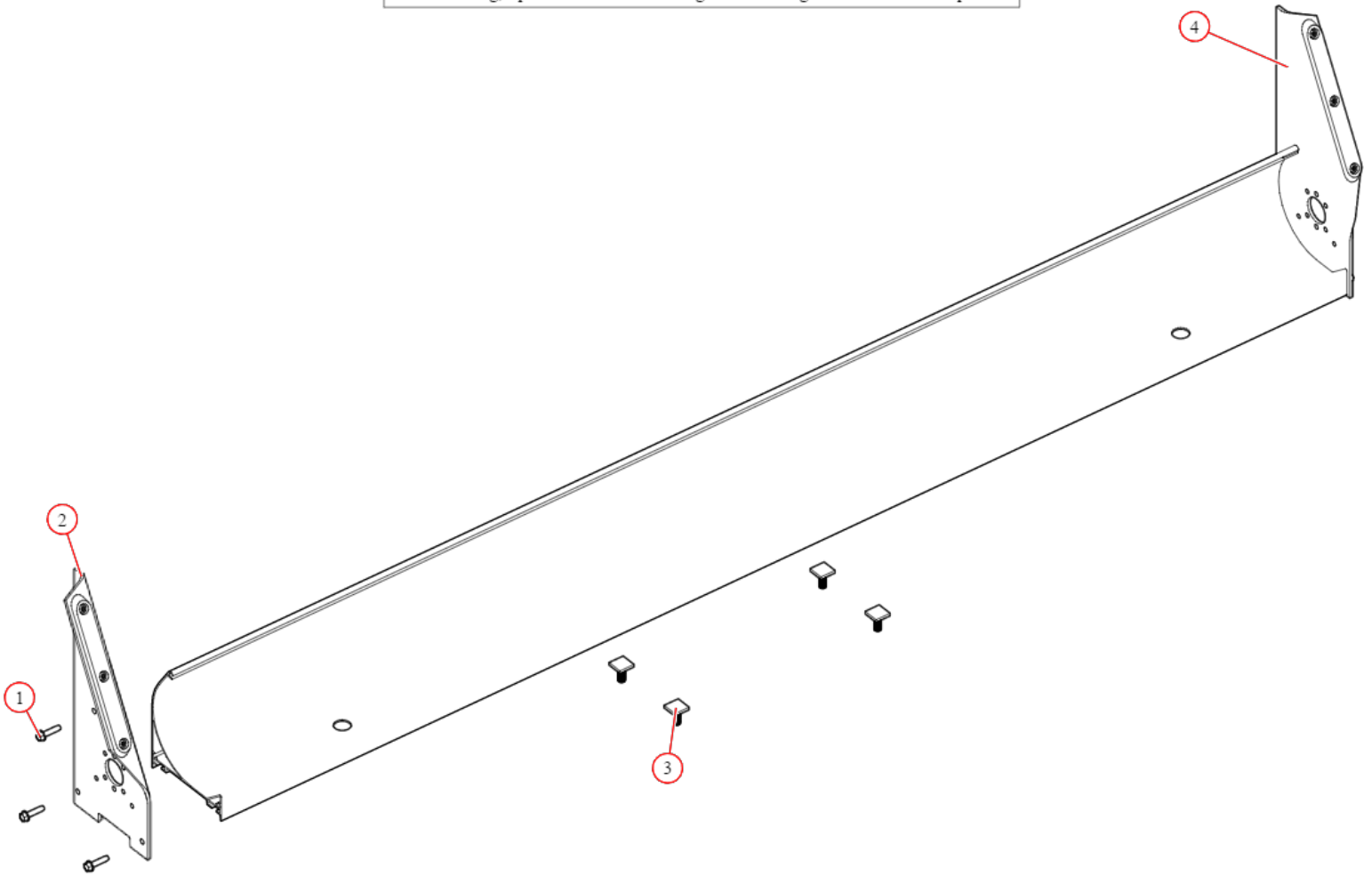
Bom ID	Part#	Description	qty
	17918	Breaker. 35A Outdoor Manual Reset Circuit Breaker	
	100527	Spool Kit. Super Duty Tarp Spool w/98" Integrated Housing & High ...	
	19865	Control Box. Wireless Black Control Box - 12/24V Waste	
3	104103	Light. Work Light LED 12V	2

100527 Spool Kit, SD for Tower w/ 98" Int. Housing and High Wing Endcaps



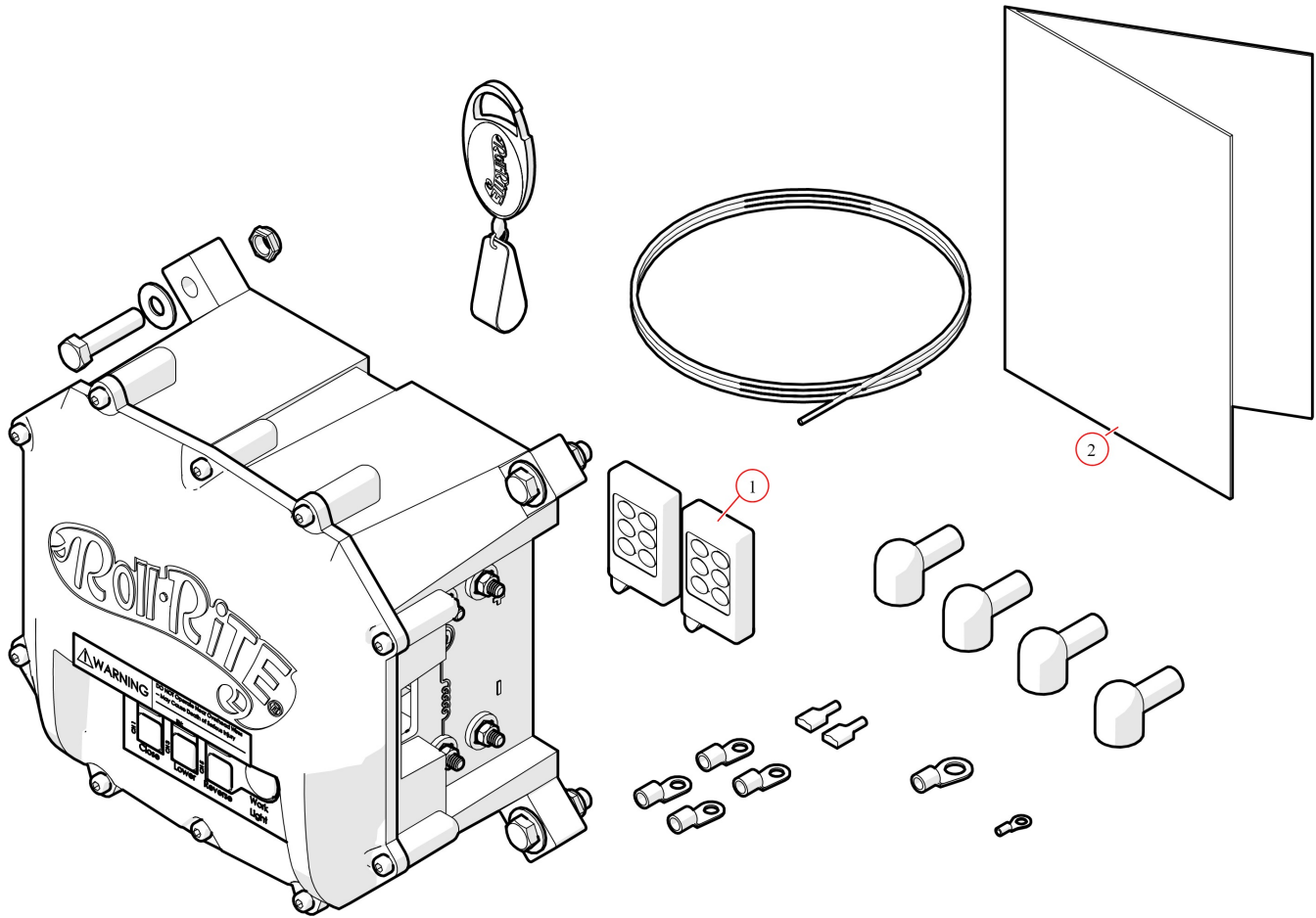
Bom ID	Part#	Description	qty
1	10122	Super Duty Motor 12V. 5 Year Warranty :S/N:	1
2	36167	Housing. Spool 98" Aluminum Integrated Housing w/ Extended Endc...	1
3	31030	Axle. 97" Pre-Threaded Tarp Axle w/Stub Shaft	1
4	18260	Bolt. 5/16" x 5/8" Button Head Bolt - Zinc Plated	5
5	17918	Breaker. 35A Outdoor Manual Reset Circuit Breaker	1
6	31050	Bearing. 3/4" Flanged Axle Bearing with bolts	1

36167 Housing, Spool 98" Aluminum Integrated Housing w/ Extended Endcaps



Bom ID	Part#	Description	qty
1	18120	Bolt. 3/8" x 1-1/2" Thread Cutting Screw Hex Washer Hd	6
2	36352	Bracket. Tarp Spool High Wing with bumper (Driver Side)	1
3	18245	Bolt. T-Bolt 1/2-13NCx1.75 for GAB	6
4	36353	Bracket. Tarp Spool High Wing with bumper (Pass Side)	1

19865 Control Box, wireless Black Control Box for Waste, 12 V



Bom ID	Part#	Description	qty
1	19801	RF Transmitter/FOB. 433MHz. Gen1 Motor Relay	2
2	101786	Instructions. Push button Control Box	1